

# Product Data

Subject **CLASS 9001 TYPE KX KEY SHEET**

File 9001

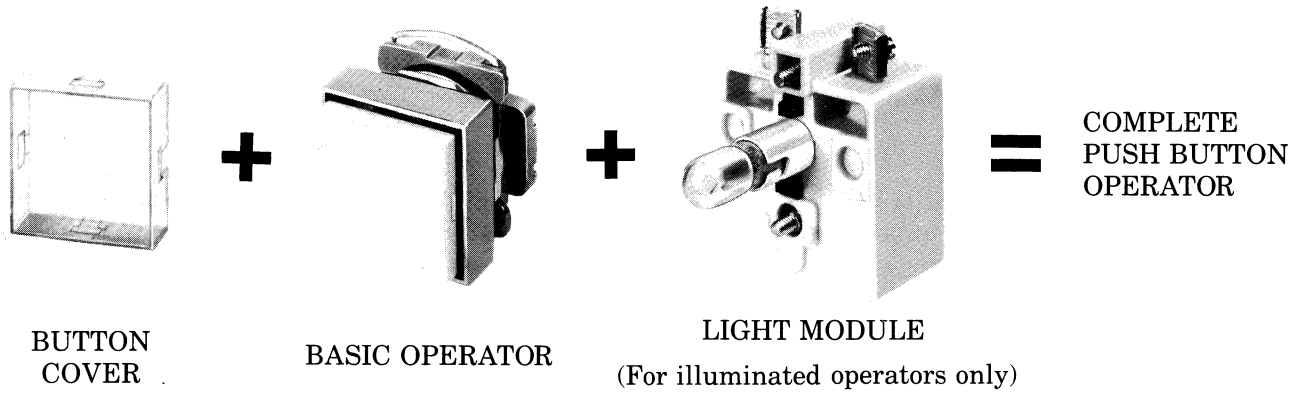
Because of the extreme flexibility of the Type KX push button line, it is highly impractical to stock all possible combinations. However, with a relatively small stock of operators, contact blocks, light modules, inserts and color caps, a large variety of combinations can be built up.

The purpose of this key sheet is to show the basic compo-

nents required to build up a specific type and provide any instructions necessary to accomplish this build-up. This key sheet will allow any operator assembly listed in the Class 9001 Type KX Digest pages to be built up with a minimum amount of stock. A handy index to the various operators is given below. For explanation of symbols used in the tables, see the instruction number indicated.

Type	Description	Listing On Page
KXRA, KXRB KXRN, KXRP	Single Push Buttons .....	2
KXRC, KXRD KXRE, KXRF	Dual Push Buttons.....	3
KXRG, KXRH KXRJ, KXRK	Dual Push Button and Single Pilot Light.....	3
KXRL, KXRM	Dual Push Button and Dual Pilot Light .....	3
KXSA, KXSB KXSC, KXSJ KXSK, KXSL	Non-illuminated and illuminated 2 Position Selector Switches .....	4
KXSD, KXSE KXSF, KXSG KXSM, KXSN KXSO, KXSP	Non-illuminated and illuminated 3 Position Selector Switches .....	5
KXSH, KXSQ	Non-illuminated and illuminated 4 Position Selector Switches .....	6
KXSV, KXSW KXSX, KXSY	Key Operator Selector Switches.....	7
KXPA, KXPB KXPC	Standard Pilot Lights .....	8
KXTA, KXTC	Push-To-Test Pilot Lights.....	9
KX—101 thru KX—142	Completely Assembled Operators.....	10
Instructions.....		11-15
Stock List.....		16

PUSH BUTTONS



STANDARD BUTTON

NON-ILLUMINATED

Type Number	Basic Operator	Adders
KXRAA	KXRA	KXAA1
KXRAG	KXRA	KXAG1
KXRAL	KXRA	KXAL1
KXRAR	KXRA	KXAR1
KXRAW	KXRA	KXAW1

ILLUMINATED

Type Number	Basic Operator	Adders
KXRB*A	KXRA	KXAA1, KM-*
KXRB*G	KXRA	KXAG1, KM-*
KXRB*L	KXRA	KXAL1, KM-*
KXRB*R	KXRA	KXAR1, KM-*
KXRB*W	KXRA	KXAW1, KM-*

MUSHROOM BUTTON

NON-ILLUMINATED

Type Number	Basic Operator	Adders
KXRNA	KXRN	KXAAM1
KXRNG	KXRN	KXAGM1
KXRNL	KXRN	KXALM1
KXRNR	KXRN	KXARM1
KXRNW	KXRN	KXAWM1

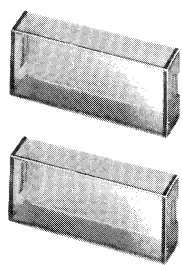
ILLUMINATED

Type Number	Basic Operator	Adders
KXRP*A	KXRN	KXAAM1, KM-*
KXRP*G	KXRN	KXAGM1, KM-*
KXRP*L	KXRN	KXALM1, KM-*
KXRP*R	KXRN	KXARM1, KM-*
KXRP*W	KXRN	KXAWM1, KM-*

For assembly instructions of non-illuminated operators — See instruction 1 on page 11.

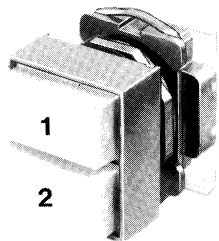
For assembly instructions of illuminated operators — See instruction 2 on page 11.

DUAL PUSH BUTTONS



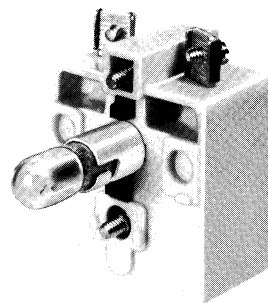
BUTTON  
COVERS

+



BASIC OPERATOR

+



LIGHT MODULE

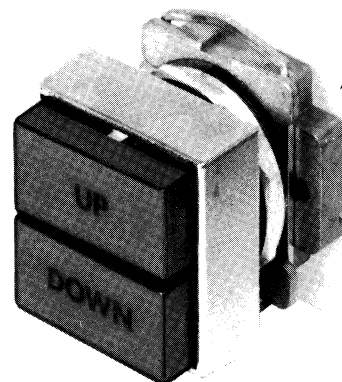
(For illuminated operators only)

=

COMPLETE  
PUSH BUTTON  
OPERATOR

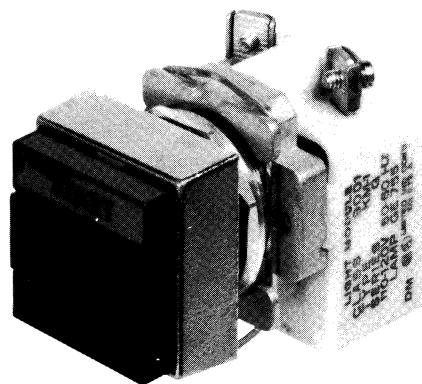
Type Number	Basic Operator	Adders
EX. KXRCGR	KXRC	KXAG2, KXAR2
KXRC△▽	KXRC	KXA△2, KXA▽2
KXRD△▽	KXRD	KXA△2, KXA▽2
KXRE△▽	KXRE	KXA△2, KXA▽2
KXRF△▽	KXRF	KXA△2, KXA▽2

For assembly instructions — See instruction 3 on page 11.



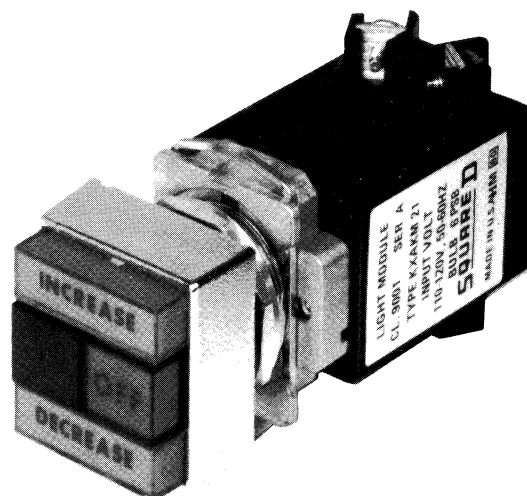
Type Number	Basic Operator	Adders
EX. KXRG1GAR	KXRG	KM-1, KXAG4, KXAA3, KXAR4
KXRG*◆■●	KXRG	KM-*, KXA◆4, KXA■3, KXA●4
KXRH*◆■●	KXRH	KM-*, KXA◆4, KXA■3, KXA●4
KXRJ*◆■●	KXRJ	KM-*, KXA◆4, KXA■3, KXA●4
KXRK*◆■●	KXRK	KM-*, KXA◆4, KXA■3, KXA●4

For assembly instructions — See instruction 4 on page 11.



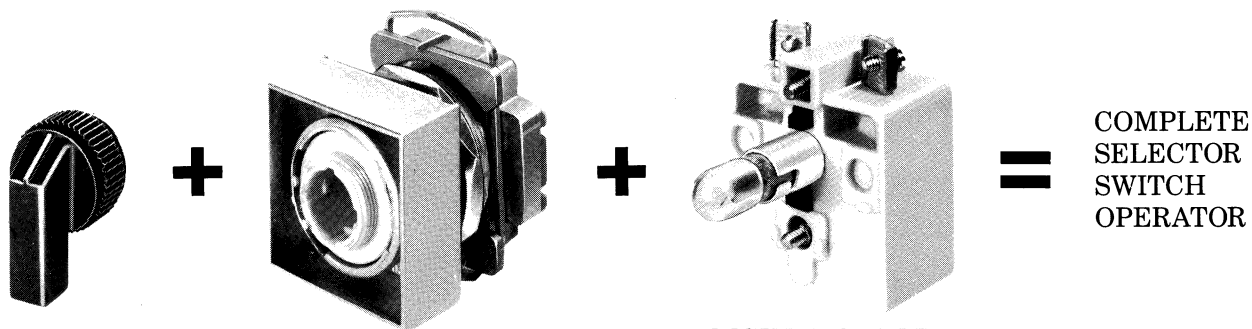
Type Number	Basic Operator	Adders
EX. KXRL1RGRG	KXRL	KXAKM21, KXAR4, KXAG5, KXAR5, KXAG4
KXRL #◆●+●	KXRL	KXAKM2#, KXA◆4, KXA●5, KXA+5, KXA●4
KXRM #◆●+●	KXRM	KXAKM2#, KXA◆4, KXA●5, KXA+5, KXA●4

For assembly instructions — See instruction 5 on page 12.



SELECTOR SWITCHES

2 POSITION



KNOB

BASIC OPERATOR

LIGHT MODULE  
(For illuminated operators only)

COMPLETE  
SELECTOR  
SWITCH  
OPERATOR

MAINTAINED

NON-ILLUMINATED

Type Number	Basic Operator	Adders
KXSAEA	KXSAE	KXAA6
KXSAEB	KXSAE	KXAB6
KXSAEG	KXSAE	KXAG6
KXSAEL	KXSAE	KXAL6
KXSAER	KXSAE	KXAR6
KXSAEW	KXSAE	KXAW6

ILLUMINATED

Type Number	Basic Operator	Adders
KXSJE*A	KXSAE	KXAA6, KM-*
KXSJE*G	KXSAE	KXAG6, KM-*
KXSJE*L	KXSAE	KXAL6, KM-*
KXSJE*R	KXSAE	KXAR6, KM-*
KXSJE*W	KXSAE	KXAW6, KM-*

SPRING RETURN — FROM LEFT

NON-ILLUMINATED

Type Number	Basic Operator	Adders
KXSBEA	KXSBE	KXAA6
KXSBEB	KXSBE	KXAB6
KXSBEG	KXSBE	KXAG6
KXSBEL	KXSBE	KXAL6
KXSBER	KXSBE	KXAR6
KXSBEW	KXSBE	KXAW6

ILLUMINATED

Type Number	Basic Operator	Adders
KXSKE*A	KXSBE	KXAA6, KM-*
KXSKE*G	KXSBE	KXAG6, KM-*
KXSKE*L	KXSBE	KXAL6, KM-*
KXSKE*R	KXSBE	KXAR6, KM-*
KXSKE*W	KXSBE	KXAW6, KM-*

SPRING RETURN — FROM RIGHT

NON-ILLUMINATED

Type Number	Basic Operator	Adders
KXSCDA	KXSCD	KXAA6
KXSCDB	KXSCD	KXAB6
KXSCDG	KXSCD	KXAG6
KXSCDL	KXSCD	KXAL6
KXSCDR	KXSCD	KXAR6
KXSCDW	KXSCD	KXAW6

ILLUMINATED

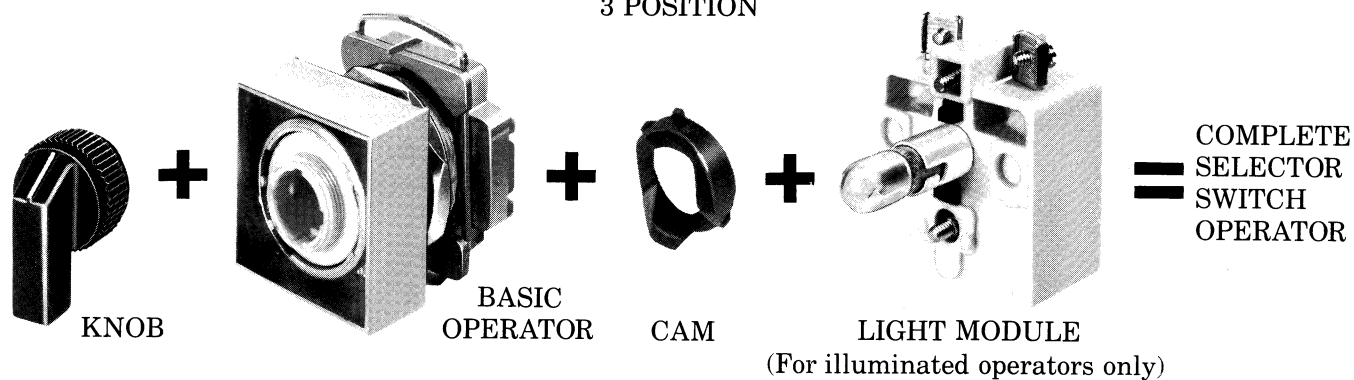
Type Number	Basic Operator	Adders
KXSLD*A	KXSCD	KXAA6, KM-*
KXSLD*G	KXSCD	KXAG6, KM-*
KXSLD*L	KXSCD	KXAL6, KM-*
KXSLD*R	KXSCD	KXAR6, KM-*
KXSLD*W	KXSCD	KXAW6, KM-*

For assembly instruction of non-illuminated operators — See instruction 6 on page 13.

For assembly instruction of illuminated operators — See instruction 7 on page 13.

SELECTOR SWITCHES

3 POSITION



MAINTAINED

NON-ILLUMINATED

Type Number	Basic Operator	Addrs
KXSD▲A	KXSD	KXAA6, K-13▲
KXSD▲B	KXSD	KXAB6, K-13▲
KXSD▲G	KXSD	KXAG6, K-13▲
KXSD▲L	KXSD	KXAL6, K-13▲
KXSD▲R	KXSD	KXAR6, K-13▲
KXSD▲W	KXSD	KXAW6, K-13▲

ILLUMINATED

Type Number	Basic Operator	Addrs
KXSM▲*A	KXSD	KXAA6, K-13▲, KM-*
KXSM▲*G	KXSD	KXAG6, K-13▲, KM-*
KXSM▲*L	KXSD	KXAL6, K-13▲, KM-*
KXSM▲*R	KXSD	KXAR6, K-13▲, KM-*
KXSM▲*W	KXSD	KXAW6, K-13▲, KM-*

SPRING RETURN — LEFT TO CENTER

NON-ILLUMINATED

Type Number	Basic Operator	Addrs
KXSE▲A	KXSE	KXAA6, K-13▲
KXSE▲B	KXSE	KXAB6, K-13▲
KXSE▲G	KXSE	KXAG6, K-13▲
KXSE▲L	KXSE	KXAL6, K-13▲
KXSE▲R	KXSE	KXAR6, K-13▲
KXSE▲W	KXSE	KXAW6, K-13▲

ILLUMINATED

Type Number	Basic Operator	Addrs
KXSN▲*A	KXSE	KXAA6, K-13▲, KM-*
KXSN▲*G	KXSE	KXAG6, K-13▲, KM-*
KXSN▲*L	KXSE	KXAL6, K-13▲, KM-*
KXSN▲*R	KXSE	KXAR6, K-13▲, KM-*
KXSN▲*W	KXSE	KXAW6, K-13▲, KM-*

SPRING RETURN — RIGHT TO CENTER

NON-ILLUMINATED

Type Number	Basic Operator	Addrs
KXSF▲A	KXSF	KXAA6, K-13▲
KXSF▲B	KXSF	KXAB6, K-13▲
KXSF▲G	KXSF	KXAG6, K-13▲
KXSF▲L	KXSF	KXAL6, K-13▲
KXSF▲R	KXSF	KXAR6, K-13▲
KXSF▲W	KXSF	KXAW6, K-13▲

ILLUMINATED

Type Number	Basic Operator	Addrs
KXSO▲*A	KXSF	KXAA6, K-13▲, KM-*
KXSO▲*G	KXSF	KXAG6, K-13▲, KM-*
KXSO▲*L	KXSF	KXAL6, K-13▲, KM-*
KXSO▲*R	KXSF	KXAR6, K-13▲, KM-*
KXSO▲*W	KXSF	KXAW6, K-13▲, KM-*

SPRING RETURN — BOTH SIDES TO CENTER

NON-ILLUMINATED

Type Number	Basic Operator	Addrs
KXSG▲A	KXSG	KXAA6, K-13▲
KXSG▲B	KXSG	KXAB6, K-13▲
KXSG▲G	KXSG	KXAG6, K-13▲
KXSG▲L	KXSG	KXAL6, K-13▲
KXSG▲R	KXSG	KXAR6, K-13▲
KXSG▲W	KXSG	KXAW6, K-13▲

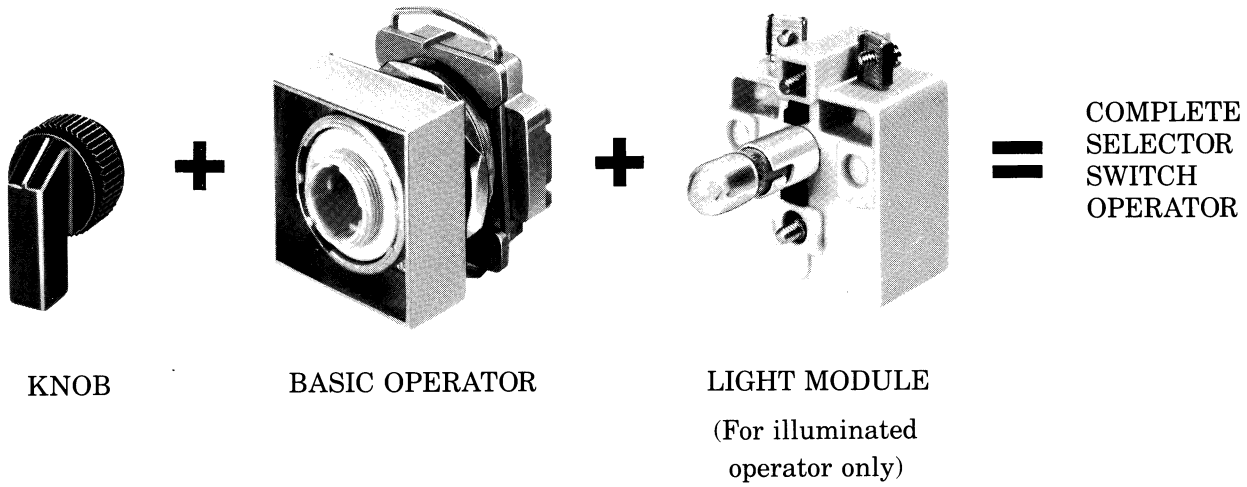
ILLUMINATED

Type Number	Basic Operator	Addrs
KXSP▲*A	KXSG	KXAA6, K-13▲, KM-*
KXSP▲*G	KXSG	KXAG6, K-13▲, KM-*
KXSP▲*L	KXSG	KXAL6, K-13▲, KM-*
KXSP▲*R	KXSG	KXAR6, K-13▲, KM-*
KXSP▲*W	KXSG	KXAW6, K-13▲, KM-*

For assembly instructions of non-illuminated operators — See instruction 8 on page 13.

For assembly instructions of illuminated operators — See instruction 8 on page 13.

SELECTOR SWITCHES  
4 POSITION



MAINTAINED

NON-ILLUMINATED

Type Number	Basic Operator	Adders
KXSHHA	KXSHH	KXAA6
KXSHHB	KXSHH	KXAB6
KXSHHG	KXSHH	KXAG6
KXSHHL	KXSHH	KXAL6
KXSHHR	KXSHH	KXAR6
KXSHHW	KXSHH	KXAW6

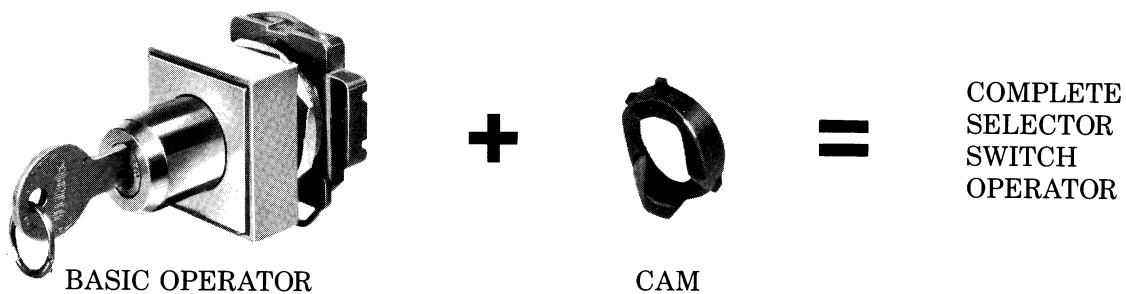
For assembly instructions of non-illuminated operators — See instruction 6 on page 13.

ILLUMINATED

Type Number	Basic Operator	Adders
KXSQH*A	KXSHH	KXAA6, KM-*
KXSQH*G	KXSHH	KXAG6, KM-*
KXSQH*L	KXSHH	KXAL6, KM-*
KXSQH*R	KXSHH	KXAR6, KM-*
KXSQH*W	KXSHH	KXAW6, KM-*

For assembly instructions of illuminated operators — See instruction 7 on page 13.

SELECTOR SWITCHES  
KEY OPERATED



MAINTAINED

Type Number	Basic Operator	Adders
KXSV▲4	KXSV4	K-13▲
KXSV▲5	KXSV5	K-13▲
KXSV▲6	KXSV6	K-13▲
KXSV▲7	KXSV7	K-13▲
KXSV▲8	KXSV8	K-13▲
KXSV▲9	KXSV9	K-13▲
KXSV▲10	KXSV10	K-13▲

SPRING RETURN — LEFT TO CENTER

Type Number	Basic Operator	Adders
KXSW▲5	KXSW5	K-13▲
KXSW▲6	KXSW6	K-13▲
KXSW▲9	KXSW9	K-13▲

SPRING RETURN — RIGHT TO CENTER

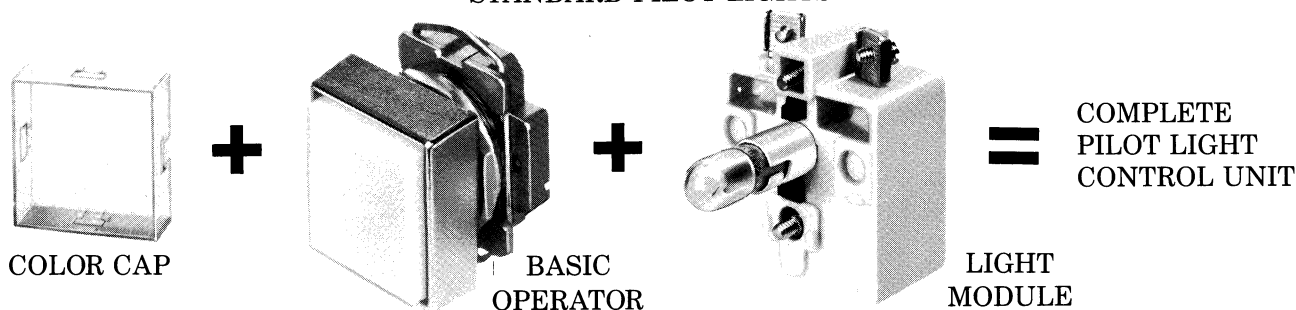
Type Number	Basic Operator	Adders
KXSX▲4	KXSX4	K-13▲
KXSX▲5	KXSX5	K-13▲
KXSX▲7	KXSX7	K-13▲

SPRING RETURN — BOTH SIDES TO CENTER

Type Number	Basic Operator	Adders
KXSY▲5	KXSY5	K-13▲

For assembly instructions — See instruction 9 on page 13.

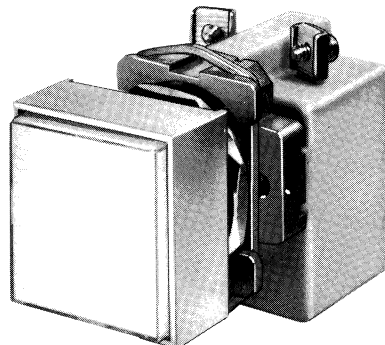
STANDARD PILOT LIGHTS



SINGLE PILOT LIGHT

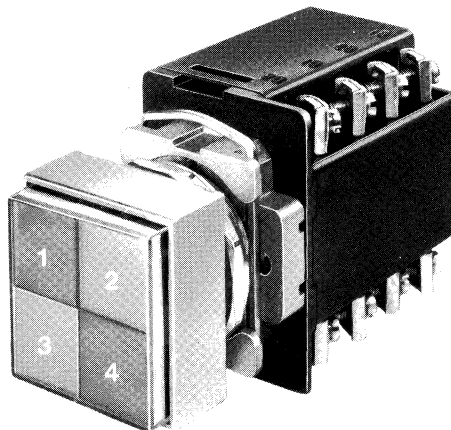
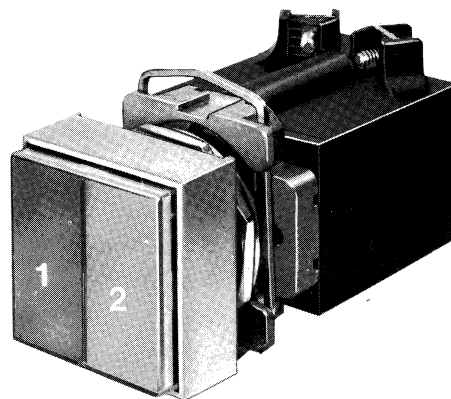
Type Number	Basic Operator	Adders
KXPA*A	KXPA	KXAA8, KM-*
KXPA*G	KXPA	KXAG8, KM-*
KXPA*L	KXPA	KXAL8, KM-*
KXPA*R	KXPA	KXAR8, KM-*
KXPA*W	KXPA	KXAW8, KM-*

For assembly instructions — See instruction 2 on page 11.



TWO FIELD PILOT LIGHT

Type Number	Basic Operator	Adders
KXPB#AA	KXPB	KXAKM2#, two KXAC28
KXPB#AG	KXPB	KXAKM2#, KXAC28
KXPB#AL	KXPB	KXAKM2#, KXAC28
KXPB#AR	KXPB	KXAKM2#, KXAC28
KXPB#AW	KXPB	KXAKM2#, KXAC28
KXPB#GA	KXPB	KXAKM2#, KXAC28
KXPB#GG	KXPB	KXAKM2#, two KXAC28
KXPB#GL	KXPB	KXAKM2#, KXAC28
KXPB#GR	KXPB	KXAKM2#, KXAC28
KXPB#GW	KXPB	KXAKM2#, KXAC28
KXPB#LA	KXPB	KXAKM2#, KXAC28
KXPB#LG	KXPB	KXAKM2#, KXAC28
KXPB#LL	KXPB	KXAKM2#, two KXAC28
KXPB#LR	KXPB	KXAKM2#, KXAC28
KXPB#LW	KXPB	KXAKM2#, KXAC28
KXPB#RA	KXPB	KXAKM2#, KXAC28
KXPB#RG	KXPB	KXAKM2#, KXAC28
KXPB#RL	KXPB	KXAKM2#, KXAC28
KXPB#RR	KXPB	KXAKM2#, two KXAC28
KXPB#RW	KXPB	KXAKM2#, KXAC28
KXPB#WA	KXPB	KXAKM2#, KXAC28
KXPB#WG	KXPB	KXAKM2#, KXAC28
KXPB#WL	KXPB	KXAKM2#, KXAC28
KXPB#WR	KXPB	KXAKM2#, KXAC28
KXPB#WW	KXPB	KXAKM2#, two KXAC28



For assembly instructions — See instruction 11 on page 14.

9001 KXAC28 includes one each of amber, green, blue, red, and white color chips. If two of the same color are required, order two 9001 KXAC28.

FOUR FIELD PILOT LIGHT

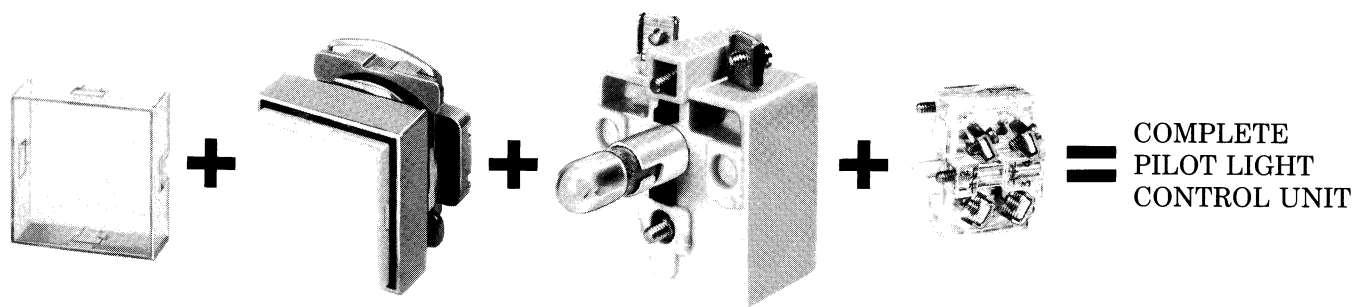
Type Number	Basic Operator	Adders
KXPC★++++	KXPC	KXAKM4★, KXAC48

For assembly instructions — See instruction 12 on page 14.

+ 9001 KXAC48 includes one each of amber, green, blue, red, and white color chips. If two of the same color are required, order two 9001 KXAC48.



## PUSH-TO-TEST PILOT LIGHTS



COLOR CAP

BASIC OPERATOR

LIGHT MODULE

CONTACT BLOCK

## SINGLE PUSH-TO-TEST PILOT LIGHT

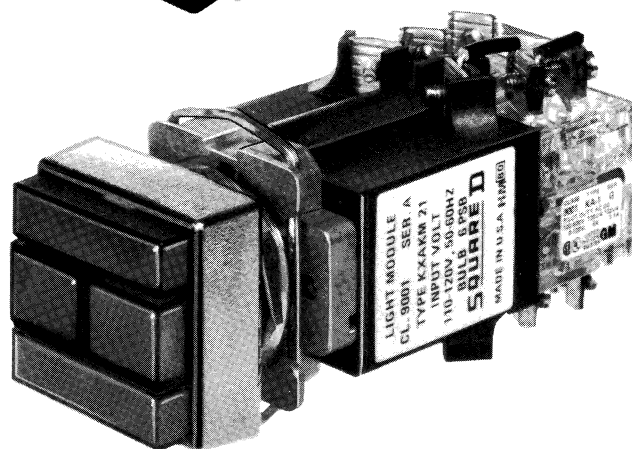
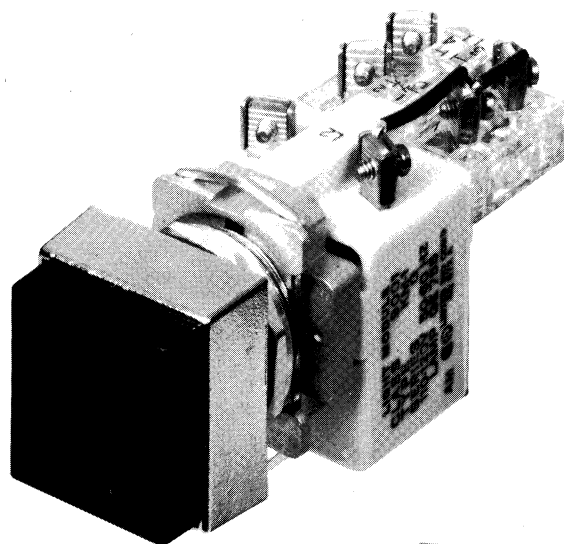
Type Number	Basic Operator	Adders
KXTA*AH1	KXRA	KXAA1, KM-*, KA-1
KXTA*GH1	KXRA	KXAG1, KM-*, KA-1
KXTA*LH1	KXRA	KXAL1, KM-*, KA-1
KXTA*RH1	KXRA	KXAR1, KM-*, KA-1
KXTA*WH1	KXRA	KXAW1, KM-*, KA-1

For assembly instructions — See instruction 14 on page 15.

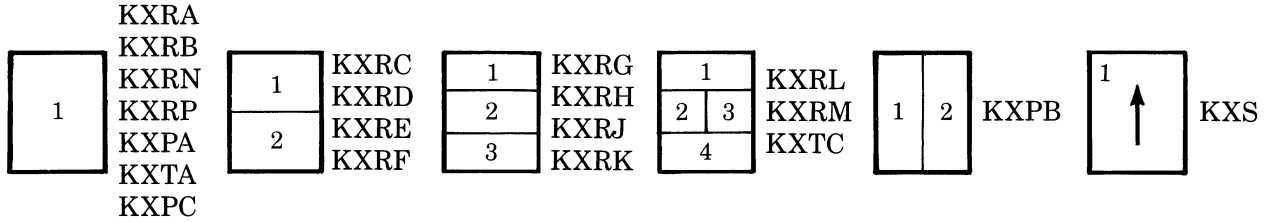
## DUAL PUSH-TO-TEST PILOT LIGHT

Type Number	Basic Operator	Adders
Ex. KXTC1GRGRH2	KXRL	KXAKM2 <sub>1</sub> , KXAG <sub>4</sub> , KXAR <sub>5</sub> KXAG <sub>5</sub> , KXAR <sub>4</sub> , KA-1, KA-1
KXTC#♦●+●H2	KXRL	KXAKM2#, KXA♦4, KXA●5, KXA+5, KXA●4, KA-1, KA-1

For assembly instructions — See instruction 13 on page 14.



COMPLETELY ASSEMBLED OPERATORS



Device Ordered — Class 9001 Type	Basic Operator Class 9001 Type	Contact Blocks Mounted in position (See Instruction 16)		Legend Inserts Installed in position (see above)			
		Pos. 1	Pos. 2	Pos. 1	Pos. 2	Pos. 3	Pos. 4
KXRA101	KXRAG	—	KA-1	KXN101	—	—	—
KXRA102	KXRAR	—	KA-1	KXN102	—	—	—
KXRB103	KXRB1G	—	KA-1	KXN101	—	—	—
KXRB104	KXRB1R	—	KA-1	KXN102	—	—	—
KXRN105	KXRN1R	—	KA-1	KXN105	—	—	—
KXRP106	KXRP1R	—	KA-1	KXN105	—	—	—
KXPA107	KXPA1R	—	—	KXN103	—	—	—
KXPA108	KXPA1G	—	—	KXN104	—	—	—
KXTA109	KXTA1RH1	—	—	KXN103	—	—	—
KXTA110	KXTA1GH1	—	—	KXN104	—	—	—
KXRC111	KXRCGR	KA-1	KA-1	KXN201	KXN202	—	—
KXRD112	KXRDGG	KA-1	KA-1	KXN211	KXN210	—	—
KXRD113	KXRDGG	KA-1	KA-1	KXN209	KXN208	—	—
KXRD114	KXRDGG	KA-1	KA-1	KXN206	KXN207	—	—
KXRE115	KXREGR	—	KA-1	KXN201	KXN202	—	—
KXRF116	KXRFGR	—	KA-1	KXN223	KXN202	—	—
KXRG117	KXRG1GRR	KA-1	KA-1	KXN401	KXN303	KXN402	—
KXRH118	KXRH1GRG	KA-1	KA-1	KXN400	KXN300	KXN400	—
KXRJ119	KXRJ1GRR	—	KA-1	KXN401	KXN303	KXN402	—
KXRK120	KXRK1GRR	—	KA-1	KXN423	KXN303	KXN402	—
KXRL121	KXRL1GRGR	KA-1	KA-1	KXN401	KXN503	KXN504	KXN402
KXRM122	KXRM1GRRG	KA-1	KA-1	KXN400	KXN500	KXN500	KXN400
KXTC123	KXTC1GRRGH2	—	—	KXN400	KXN500	KXN500	KXN400
KXPB124	KXPB1RG	—	—	KXN283	KXN284	—	—
KXSA125	KXSAEB	—	KA-1	KXN644	—	—	—
KXSD126	KXSDCB	—	KA-1	KXN660	—	—	—
KXSD127	KXSDCB	KA-1	KA-1	KXN660	—	—	—
KXSJ128	KXSJE1R	—	KA-1	KXN644	—	—	—
KXSM129	KXSMC1R	—	KA-1	KXN660	—	—	—
KXSM130	KXSMC1R	KA-1	KA-1	KXN660	—	—	—
KXPC131	KXPC1WLGR	—	—	KXN100	—	—	—
KXRL132	KXRL38WWLL	KA-2	KA-2	KXN499 <sup>①</sup>	KXN599 <sup>②</sup>	KXN599 <sup>③</sup>	KXN499 <sup>④</sup>
KXRA133	KXRAG	—	KA-2	KXN101	—	—	—
KXRA134	KXRAR	—	KA-3	KXN102	—	—	—
KXRN135	KXRN1R	—	KA-3	KXN105	—	—	—
KXRC136	KXRCGR	KA-2	KA-3	KXN201	KXN202	—	—
KXRG137	KXRG1GRR	KA-2	KA-3	KXN401	KXN303	KXN402	—
KXRL138	KXRL1GRGR	KA-2	KA-3	KXN401	KXN503	KXN504	KXN402
KXSA139	KXSAEB	KA-2	KA-3	KXN644	—	—	—
KXRD140	KXRDGG	KA-2	KA-2	KXN211	KXN210	—	—
KXRD141	KXRDGG	KA-2	KA-2	KXN209	KXN208	—	—
KXRD142	KXRDGG	KA-2	KA-2	KXN206	KXN207	—	—

For breakdown of other completely assembled operators, contact your local Square D field office.

① Legend insert (KXN499) is marked "Number 1"

③ Legend insert (KXN-599) is marked "2"

② Legend insert (KXN599) is marked "1"

④ Legend insert (KXN-499) is marked "Number 2"

1. a. Remove button cover and blank legend insert from poly bag.
  - b. Insert the legend insert into the button cover.
  - c. Line up the button cover with the operator stem and push together until the cover is securely held by the operator.
  - d. Put the operator type number on the carton.
2. a. Select the proper light module\* from Table 1.

Table 1. Light Modules

Description	Voltage and Frequency	*	Type
Transformer	110-120 V, 50-60 Hz	1	KM-1
	110-120 V, 50-60 Hz Flashing Type	F1	KMF-1
	208-220 V, 50-60 Hz	3	KM-3
	220-240 V, 50-60 Hz	7	KM-7
	220-240 V, 50-60 Hz Flashing Type	F7	KMF-7
Resistor	277 V, 50-60 Hz	8	KM-8
	380-480 V, 50-60 Hz	5	KM-5
	550-600 V, 50-60 Hz	6	KM-6
	18 V, AC or DC	33	KM-33
	32 V, AC or DC	23	KM-23
Full Voltage	120 V, AC or DC	38	KM-38
	240 V, AC or DC	25	KM-25
	6 V, AC or DC	31	KM-31
	12-14 V, AC or DC	32	KM-32
	24-28 V, AC or DC	35	KM-35
	48 V, AC or DC	36	KM-36
	60 V, AC or DC	37	KM-37

- b. Remove the light module from the carton and discard protective cardboard tube.
- c. Remove the plastic liner from the adaptor plate on the back of the operator.
- d. Position and mount the light module on basic operator as shown in Figure 1 below.

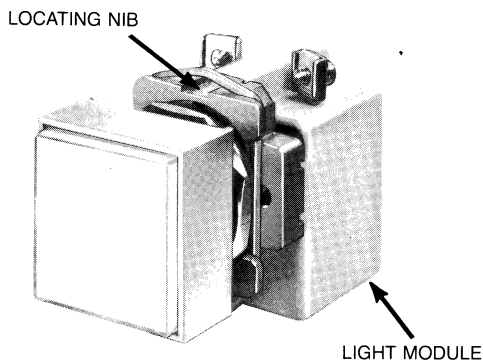


FIGURE 1

- e. Put the operator type number on the light module carton, which is to be used to recarton the operator.
- f. Install the button cover per instruction 1.

3. a. Select the proper button covers from table 2 below.

Table 2. Button Covers

Color	△Code letter	▽Code letter	Type
Amber	A	A	KXAA2
Green	G	G	KXAG2
Blue	L	L	KXAL2
Red	R	R	KXAR2
White	W	W	KXAW2

- b. Remove button cover △ and blank legend insert from poly bag.
- c. Insert the legend insert into the button cover.
- d. Line up the button cover with the top button of the operator (with the nib of the operator UP) as shown in Figure 2 and push together until the cover is securely held by the operator.

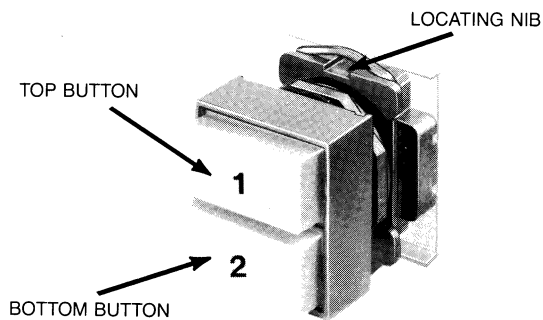


FIGURE 2

- e. Repeat instruction b, c, and d for button cover ▽, which is to be assembled to the bottom button.
  - f. Put the operator type number on the carton.
4. a. Select the proper light module \* from Table 1 to the left.
  - b. Remove the light module from the carton and discard protective cardboard tube.
  - c. Position and mount the light module on the basic operator as shown in Figure 3.

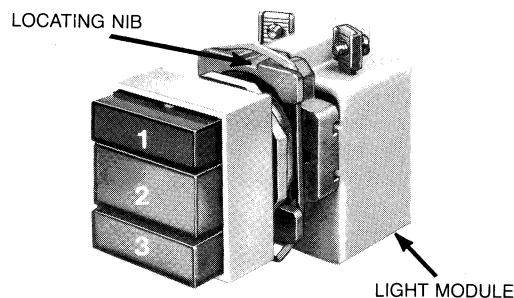


FIGURE 3

- d. Select the proper button covers ◆ and ● from Table 3 below.

Table 3. Button Covers

Color	◆ Color code	● Color code	Type
Amber	A	A	KXAA4
Green	G	G	KXAG4
Blue	L	L	KXAL4
Red	R	R	KXAR4
White	W	W	KXAW4

- e. Remove button cover ◆ and blank legend insert from poly bag.
- f. Insert the legend insert into the button cover.
- g. Line up the button cover with the top button of the operator (with the nib of the operator UP) as shown in Figure 4 and push together until the cover is securely held by the operator.

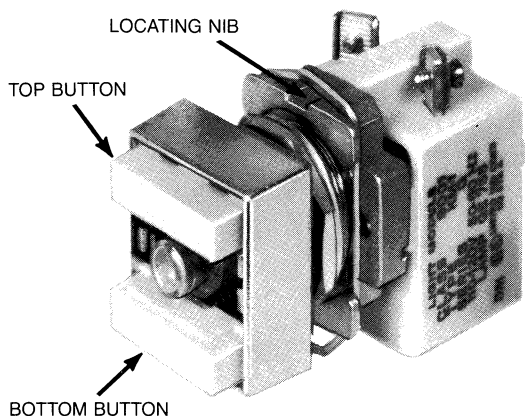


FIGURE 4

- h. Repeat instructions e, f, and g for button cover ● which is to be assembled to the bottom button.
- i. Select the proper pilot light lens ■ from Table 4 below.

Table 4. Pilot Light Lens

Color	■ Color code	Type
Amber	A	KXAA3
Green	G	KXAG3
Blue	L	KXAL3
Red	R	KXAR3
White	W	KXAW3

- j. Remove from poly bag.
- k. Line up the lens with the center of the operator and push together until the cover is securely held by the operator.

- 5. a. Select the proper light module # from Table 5 above right.

Table 5. 2 Lamp Light Modules

Description	Volts & Frequency	#	Type
Transformer	110-120 V, 50-60 Hz	1	KXAKM21
	208-220 V, 50-60 Hz	3	KXAKM23
	220-240 V, 50-60 Hz	7	KXAKM27
	277 V, 50-60 Hz	8	KXAKM28
	380-480 V, 50-60 Hz	5	KXAKM25
	550-600 V, 50-60 Hz	6	KXAKM26
Full Voltage	6 V, AC or DC	31	KXAKM231
	12 V, AC or DC	32	KXAKM232
	24 V, AC or DC	34	KXAKM234
	28 V, AC or DC	35	KXAKM235
	48 V, AC or DC	36	KXAKM236
	60 V, AC or DC	37	KXAKM237
	120 V, AC or DC	38	KXAKM238

- b. Remove light module from carton and discard protection tube.
- c. Align light module to the basic operator as shown in Figure 5 and push together.

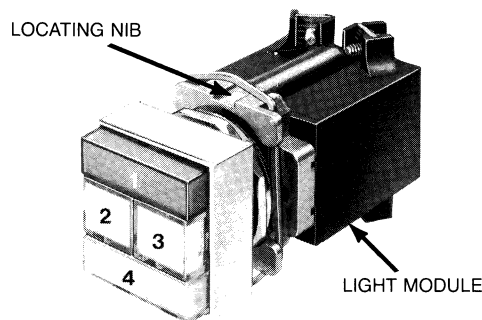


FIGURE 5

- d. Select the proper button covers ◆ and ● from Table 3 above.
- e. Remove button cover ◆ and blank legend insert from poly bag.
- f. Insert the legend insert into the button cover.
- g. Line up the button cover with the top button of the operator (with the nib of the operator UP) as shown in Figure 6 and push together until the cover is securely held by the operator.
- h. Repeat instructions e, f, and g for button cover ●, which is to be assembled to the bottom button.

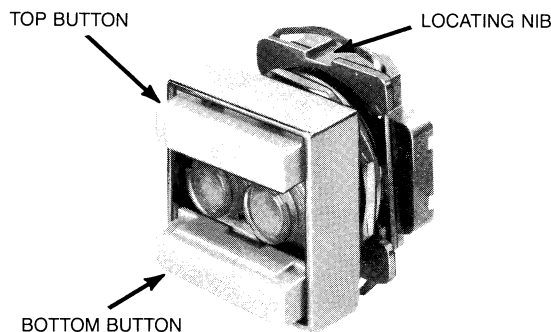


FIGURE 6

- i. Select the proper pilot light lens from Table 6 below.

Table 6. Pilot Light Lens

Color	●Color code	† Color code	Type
Amber	A	A	KXAA5
Green	G	G	KXAG5
Blue	L	L	KXAL5
Red	R	R	KXAR5
White	W	W	KXAW5

- j. Remove pilot light lens ● from poly bag.
- k. Place legend insert into pilot light lens.
- l. Place white holder into pilot light lens.
- m. Place the lens on the left side of the operator as shown in Figure 7 below and push together until securely held by the operator.

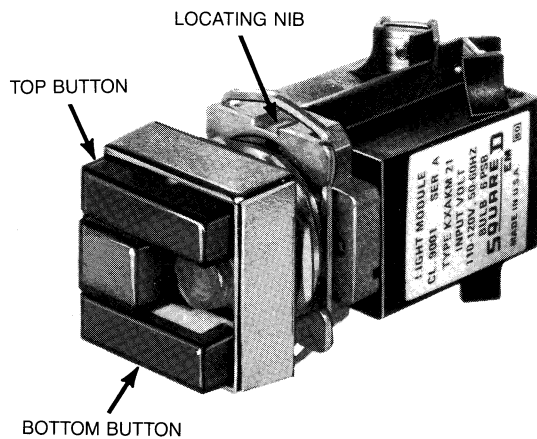


FIGURE 7

- n. Repeat instructions j and k for pilot light lens †, which is to be assembled into the right side of the operator.
- 6. a. Remove knob from box and screw on to the operator. (Legend plate is also required.)
- 7. a. Select the proper light module \* from Table 1 on page 11.
  - b. Remove the light module from the carton and discard protective cardboard tube.
  - c. Remove the plastic liner from the adaptor on the back of the operator.
  - d. Position and mount the light module on basic operator as shown in Figure 8 below.
  - e. Put the Type number of the operator being assembled on the light module box.
  - f. Go to instruction 6.
- 8. a. Remove knob from the box and screw on to the operator. (Legend plate is also required.)
  - b. Go to instruction 9.

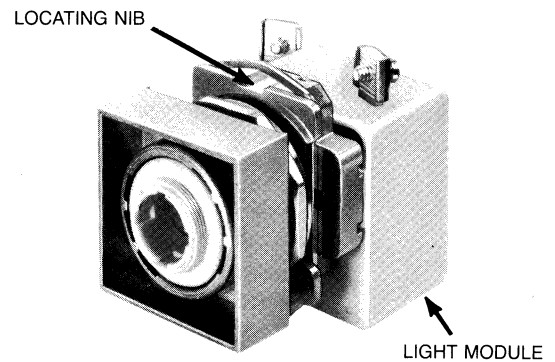
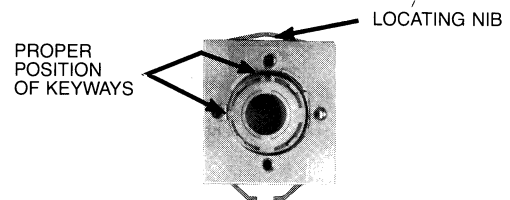


FIGURE 8

- 9. a. Position the operator with the locating nib on the operator toward the top as shown in Figure 9.
- b. Rotate the knob on the switch to the position shown in Figure 9.



REAR VIEW OF OPERATOR  
FIGURE 9

- c. Snap in the proper cam, so that the cam key fits in keyway at the 9 o'clock position as shown in Figure 10.

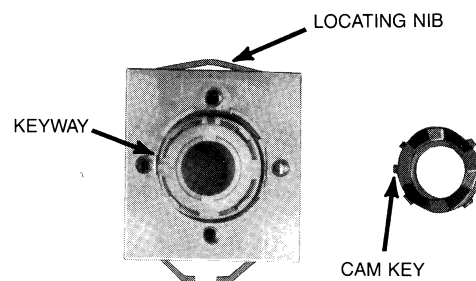


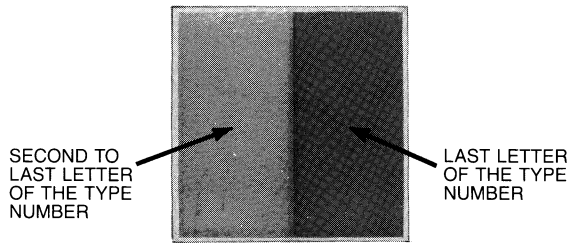
FIGURE 10

- d. If the operator is to be illuminated, go to instruction 10.
- 10. a. Select the proper light module \* from Table 1 on page 11.
  - b. Remove the light module from the carton and discard protective cardboard tube.
  - c. Remove the plastic liner from the adaptor on the back of the operator.
  - d. Position and mount the light module on basic operator as shown in Figure 8 above.

- e. Put the type number of the operator being assembled on the light module carton.
- 11. a. Select the two color chips, as determined by the last two letters of the type number, from 9001 KXAC28.

A-Amber
G-Green
L-Blue
R-Red
W-White

- b. Insert the color chips into the clear cover as shown in figure 11.



(FRONT VIEW)  
FIGURE 11

- c. Insert the blank legend inserts into the cover.
- d. Align cover with the stem of the operator and push together until the button cover is securely held by the operator.
- e. Select the proper light module # from Table 5 on page 12.
- f. Remove light module from carton and discard protective tube.
- g. Align light module to the basic operator as shown in Figure 12, and push together.

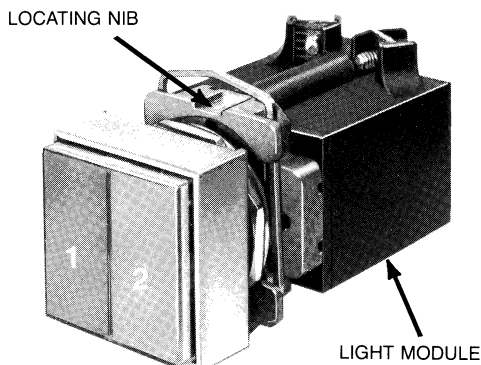
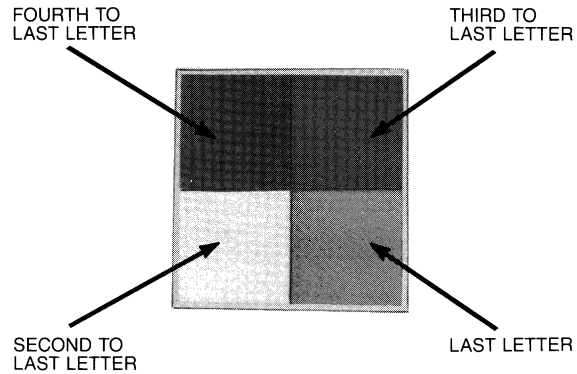


FIGURE 12

- 12. a. Select the four color chips, as determined by the last 4 letters of the type number, from 9001 KXAC48.
- b. Insert the color chips into the clear cover as shown in Figure 13.



(FRONT VIEW)  
FIGURE 13

- c. Insert the blank legend insert into the cover.
- d. With the nib of the operator up, align the cover with the stem of the operator and push together until the button cover is securely held by the operator.
- e. Select the proper light module ★ from Table 7 below.

Table 7. Lamp Light Modules

Description	Voltage and Frequency	★	Type
Transformer	110-120 V, 50-60 Hertz	1	KXAKM41
Full Voltage	6 V, AC or DC	31	KXAKM431
	12 V, AC or DC	32	KXAKM432
	24 V, AC or DC	34	KXAKM434
	28 V, AC or DC	35	KXAKM435
	48 V, AC or DC	36	KXAKM436
	60 V, AC or DC	37	KXAKM437
	120 V, AC or DC	38	KXAKM438

- f. Remove light module from carton and discard protective tube.
- g. Align light module to the basic operator as shown in Figure 14, and push together.

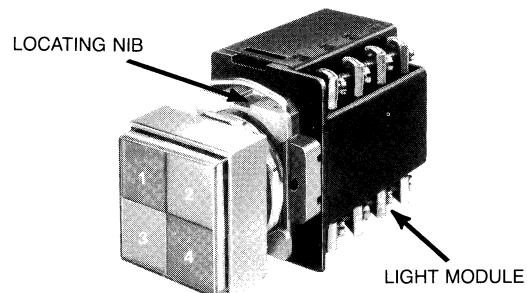
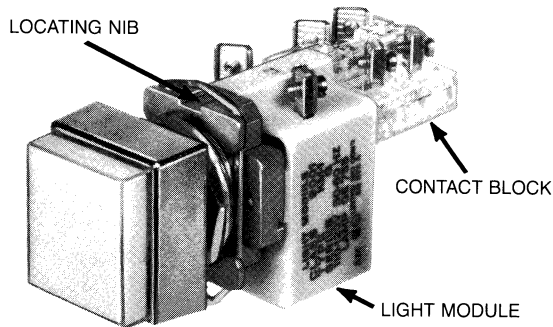


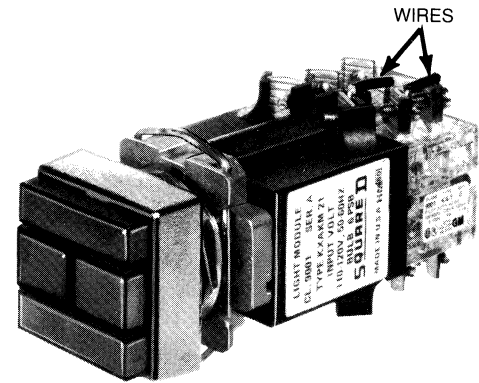
FIGURE 14

- 13. a. Do instruction 2.
- b. Do instruction 1.
- c. Add 9001 KA-1 contact block as shown in Figure 15.



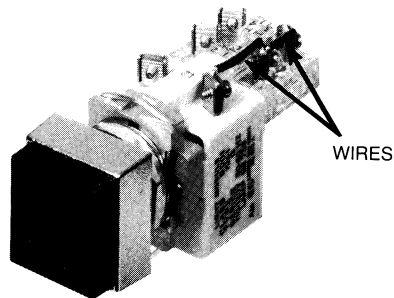
(TOP VIEW)  
FIGURE 15

- c. Add jumpers, as shown in Fig. 18, to the top and bottom of operator.



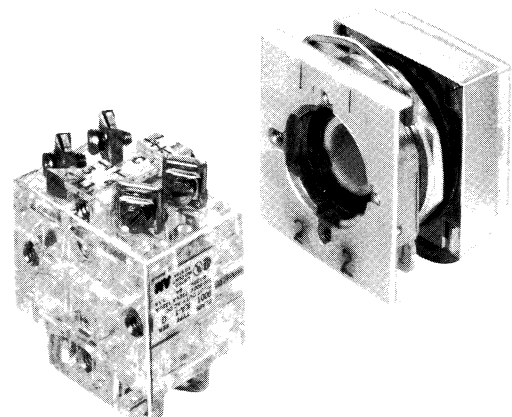
(TOP VIEW)  
FIGURE 18

- d. Add jumper wires as shown in Figure 16.



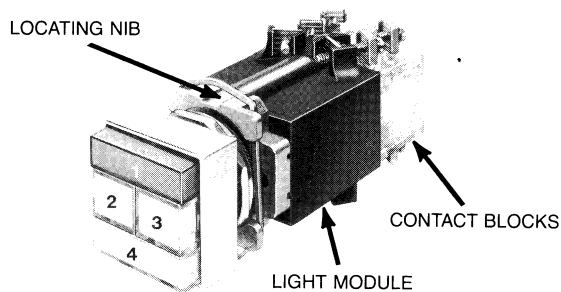
(TOP VIEW)  
FIGURE 16

- 15. a. Position and mount contact block(s) as shown in Figure 19 below.



(REAR VIEW)  
FIGURE 19

- 14. a. Do instruction 5.
- b. Add 9001 KA-1 contact blocks as shown in Figure 17.



(SIDE VIEW)  
FIGURE 17

- 16. a. Insert the legend insert(s) called out for on page 10 in place of the blank insert(s) in the basic operator's assembly instructions.
- b. Assemble operator per the instructions of the basic operator.
- c. Assemble contact blocks per instruction 15.

STOCK LIST BASED ON COMPONENTS  
CALLED FOR ON KEY SHEET

This stock list includes all of the basic components called for in the key sheets and will allow any combination of control units listed in the Class 9001 Digest pages to be built up. This list is not intended to be a recommended stock list but is printed for reference only. Local requirements will dictate which compo-

nents need be stocked for maximum service with minimum components. Miscellaneous accessories such as closing plates, protective caps, etc. are not listed here as they are not used for build up purposes but they should be considered for any local stock requirements.

Basic Operators		
Push Buttons	Selector Switches	Pilot Lights
KWRA	KXSAE	KSPA
KSRC	▼KXSBE	KXPB
KXRD	KXSCD	KSPC
KXRE	KXSD	
KXRF	▼KXSE	
KXRG	▼KXSF	
KXRH	▼KXSG	
KXRJ	KXSHH	
KXRK	KXSV4	
KXRL	KXSV5	
KXRM	KXSV6	
	KXSV7	
	KXSV8	
	KXSV9	
	KXSV10	
	▼KXSW5	
	▼KXSW6	
	▼KXSW9	
	▼KXSX4	
	▼KXSX5	
	▼KXSX7	
	▼KXSY5	

Button Covers and Knobs		
KXAA1	KXAA3	KXAA8
KXAG1	KXAG3	KXAG8
KXAL1	KXAL3	KXAL8
KXAR1	KXAR3	KXAR8
KXAW1	KXAW3	KXAW8
KXAAM1	KXAA4	KXAC28
KXAGM1	KXAG4	KXAC48
KXALM1	KXAL4	
KXARM1	KXAR4	
KXAWM1	KXAW4	
KXAA2	KXAA5	KXAA6
KXAG2	KXAG5	KXAB6
KXAL2	KXAL5	KXAG6
KXAR2	KXAR5	KXAL6
KXAW2	KXAW5	KXAR6
		KXAW6

Cams
K-13B
K-13C
K-13D
K-13E
K-13F
K-13G
K-13H
K-13J
K-13L

FULL SHROUD
KXAK41

Contact Blocks
KA-1
KA-2
KA-3

▼ These items are not stocked in the Square D Physical Distribution System

Light Modules				
Single Lamp		Dual Lamp		Four Lamp
KM-1	KM-32	KXAKM21	▼KXAKM231	KXAKM41
KM-3	KM-33	KXAHM23	KXAKM232	KSAKM431
KM-5	KM-35	KXAKM25	▼KXAKM234	KXAKM432
KM-6	KM-36	KXAKM26	KXAKM235	▼KXAKM434
KM-7	KM-37	KXAKM27	▼KXAKM236	KXAKM435
KM-8	KM-38	▼KXAKM28	▼KXAKM237	KXAKM436
KM-23	KMF-1		KXAKM238	▼KXAKM437
KM-25	KMF-7			▼KXAKM438
KM-31				

Legend Inserts and Plates		
KXN101	KXN201	KXN303
KXN102	KXN202	
KXN103	KXN206	KXN401
KXN104	KXN207	KXN402
KXN105	KXN208	KXN423
	KXN209	
KXN644	KXN210	KXN503
KXN660	KXN211	KXN504
	KXN223	
	KXN283	
	KXN284	