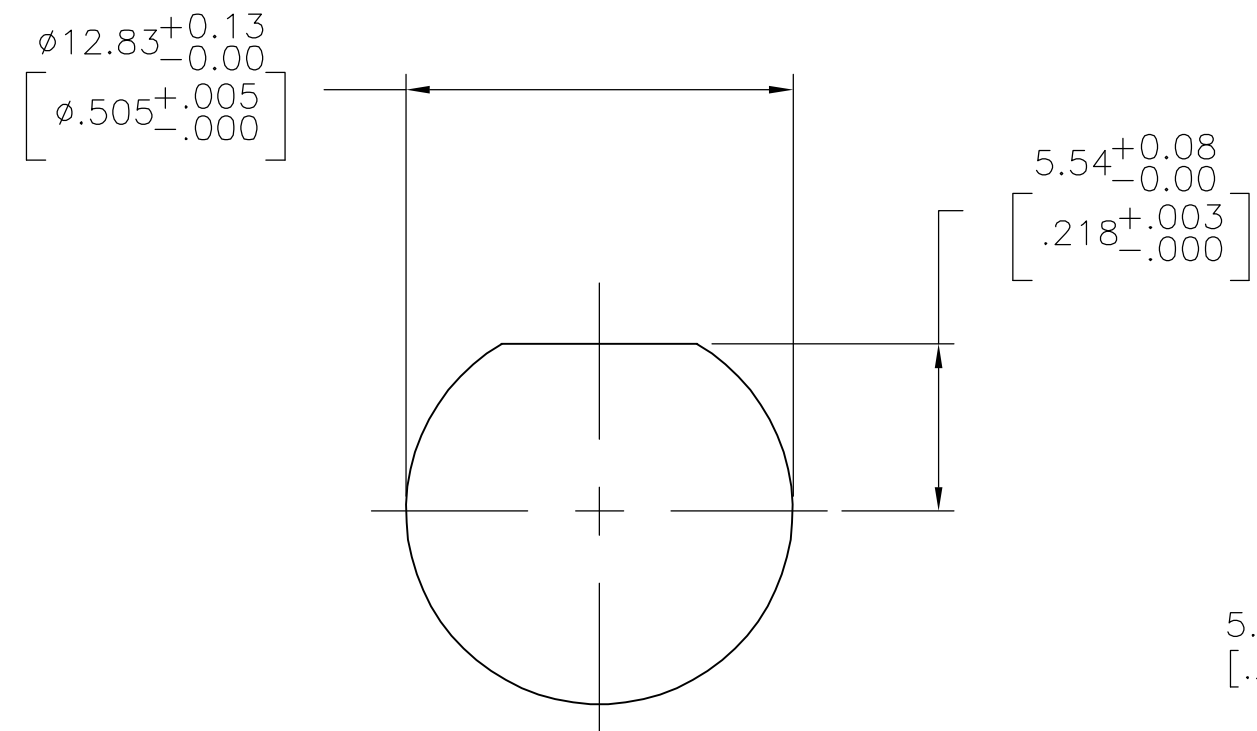
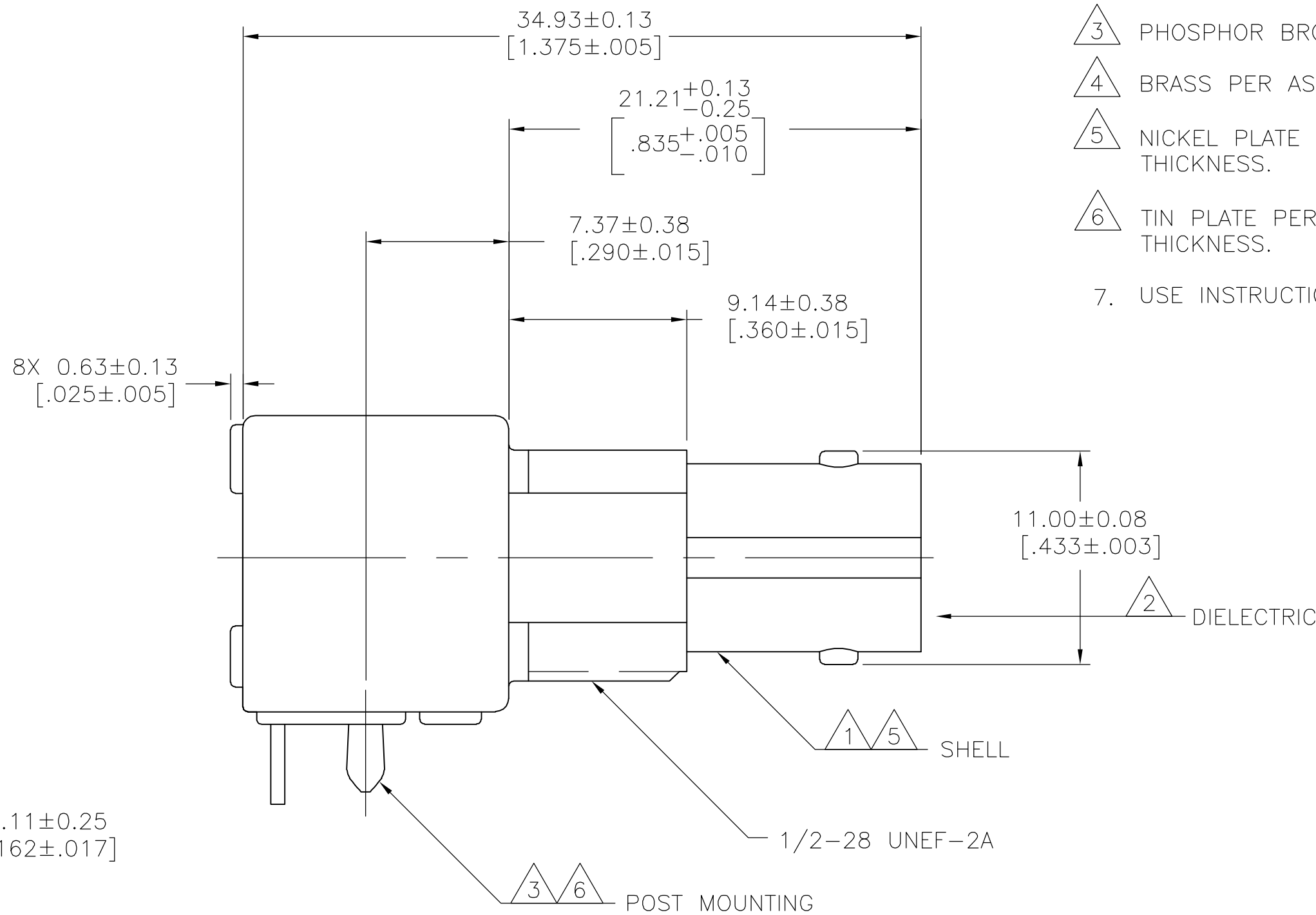
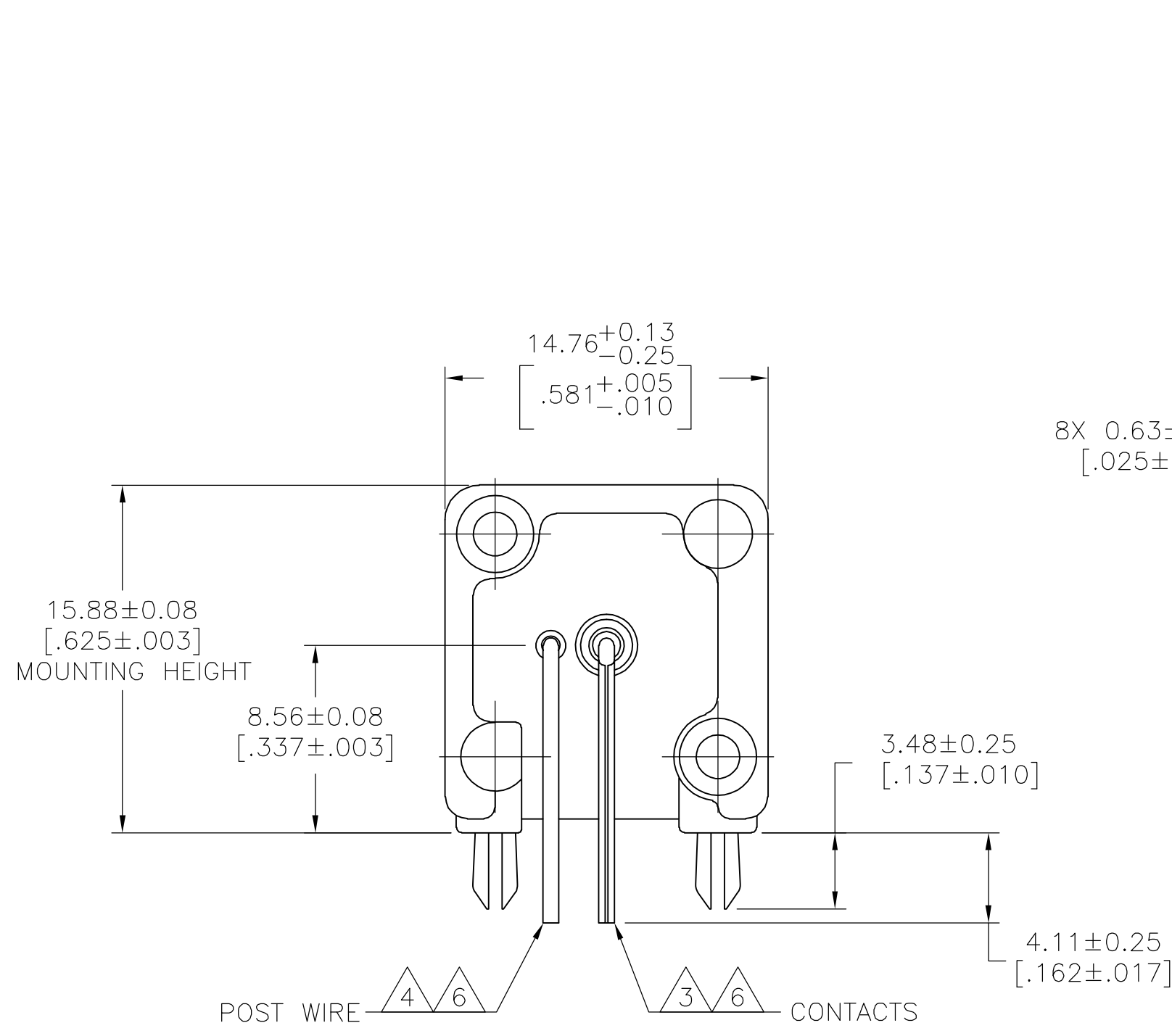


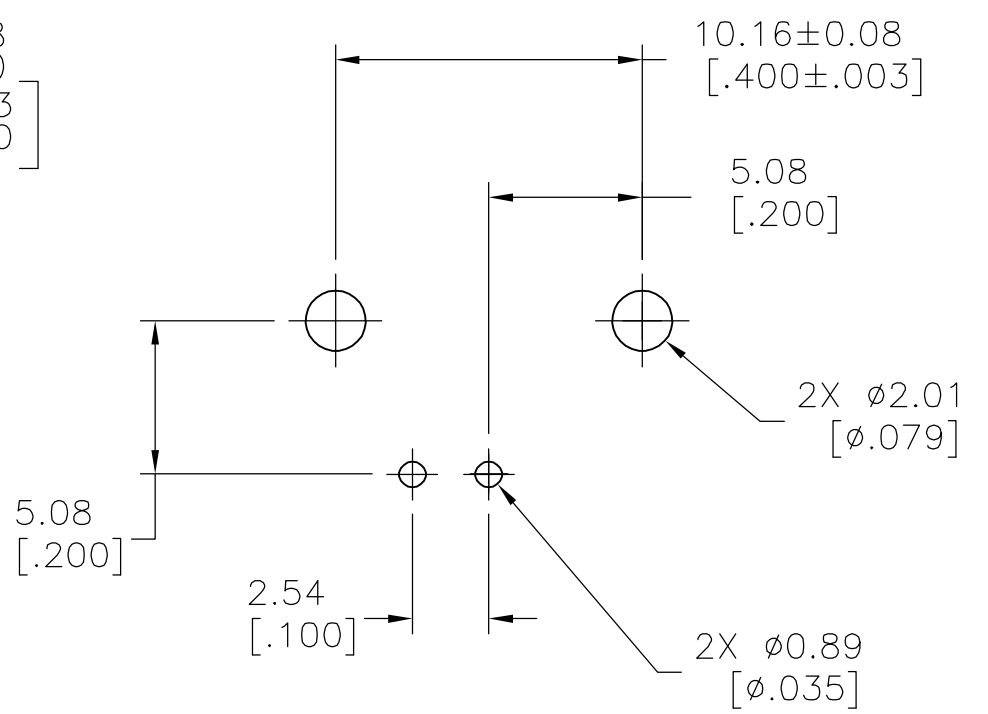
THIS DRAWING IS UNPUBLISHED. RELEASED FOR PUBLICATION
 © COPYRIGHT BY TYCO ELECTRONICS CORPORATION. ALL RIGHTS RESERVED.

LOC	DIST	REVISIONS			
P	LTR	DESCRIPTION	DATE	DWN	APVD
AJ	17	A	REVISED PER EC 0514-0150-05	28OCT2005	REH JL

- 1 ZINC PER QQ-Z-363.
- 2 POLYMETHYLPENTENE PER ASTM-D-1238.
- 3 PHOSPHOR BRONZE PER QQ-B-750.
- 4 BRASS PER ASTM-B-453.
- 5 NICKEL PLATE PER QQ-N-290, 3.81 μm [.000150] MIN THICKNESS.
- 6 TIN PLATE PER ASTM-B-545, 3.81 μm [.000150] MIN THICKNESS.
- 7. USE INSTRUCTION SHEET 408-2769.



RECOMMENDED PANEL CUTOUT



RECOMMENDED PCB LAYOUT

5415419-1
 PART NUMBER

THIS DRAWING IS A CONTROLLED DOCUMENT.		DWN G. ATTADIA - DOCK5 22APR2005	Tyco Electronics Corporation Harrisburg, PA 17105-3608	
DIMENSIONS: mm [INCHES]		CHK J. HAVENER 22APR2005	NAME	
TOLERANCES UNLESS OTHERWISE SPECIFIED:		APVD J. LIPPERT 22APR2005	PRODUCT SPEC 108-12078	
0 PLC ± - 1 PLC ± - 2 PLC ± 0.05 [.002] 3 PLC ± - 4 PLC ± - ANGLES ± -		APPLICATION SPEC		SIZE A2
MATERIAL SEE NOTES		WEIGHT -		CAGE CODE 00779
FINISH SEE NOTES		DRAWING NO C=5415419		RESTRICTED TO -
CUSTOMER DRAWING			SCALE 4:1	SHEET 1 of 1