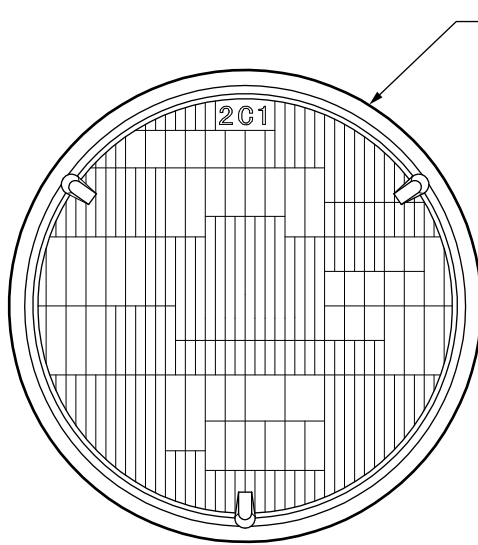




Since 1959

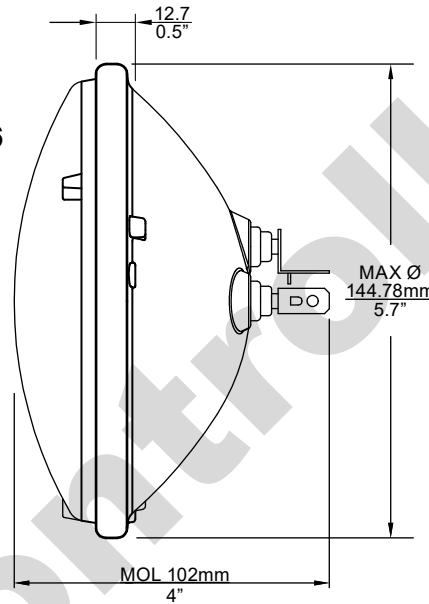
PART NO.	BASE TYPE	DESIGN VOLTS	MAXIMUM WATTS	AVERAGE LIFE HOURS (AT 14V)	REVISIONS			
					REV #	DESCRIPTION	DATE	APPROVED
4000R	3 LUGS CONTACT TYPE	12.8V 12.8V	37.5W 60W	200 300	1	ISSUED	02/24/2021	RM

4000R 12.8V 37.5W/60W RED

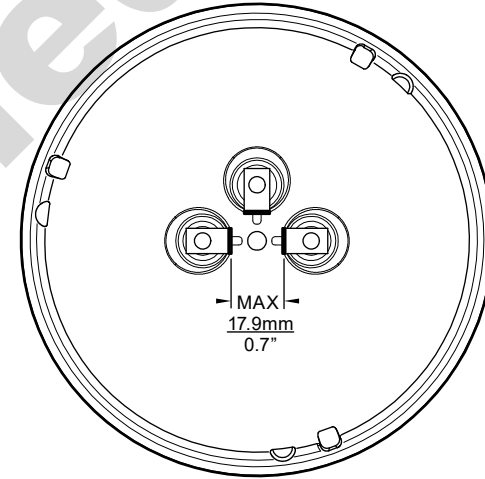


0° VIEW

PAR46
COLOR: RED
FILAMENT
TYPE: C-6/C-6



90° SECTION



180° VIEW

Note: Made according to SAE specifications



UNLESS OTHERWISE SPECIFIED: DIMENSIONS ARE IN INCHES TOLERANCES		CEC INDUSTRIES LTD	
DECIMALS	ANGULAR	599 BOND STREET LINCOLNSHIRE, IL 60069	
.XX ± .05	± 0.5°		
.XXX ± .010			
FRACTIONAL	± 1/64		
DRAWN ROSE MEDINA	DATE 02/24/2021	TITLE SEAL BEAM 4000R	
CHECKED		SIZE A	REV 1
DESIGN		FSCM NO. 4000R	DWG NO. 1
MATERIAL		SCALE	SHEET 1 OF 1
		FILE 4000R.pdf	PLOT SCALE DRAWING NOT TO SCALE