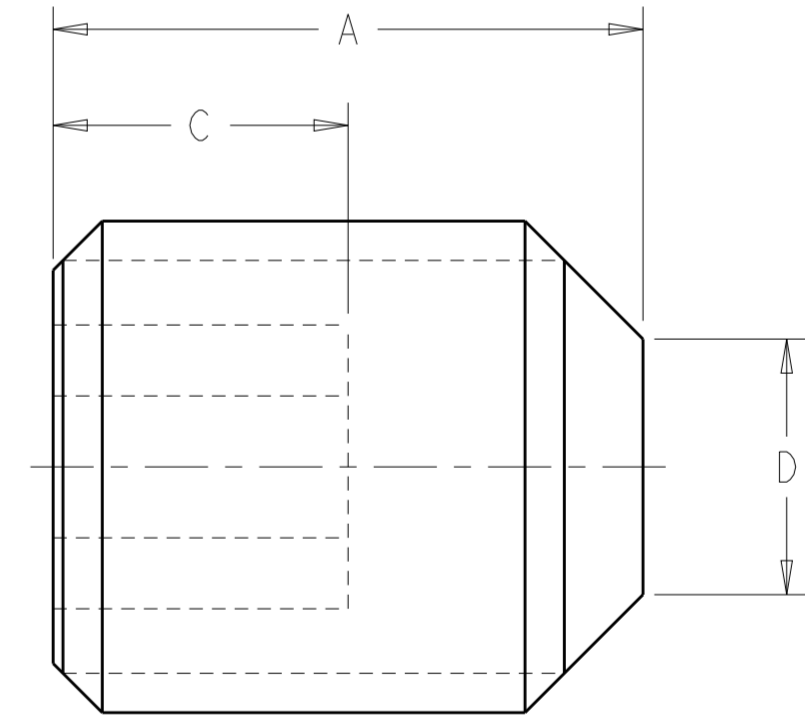
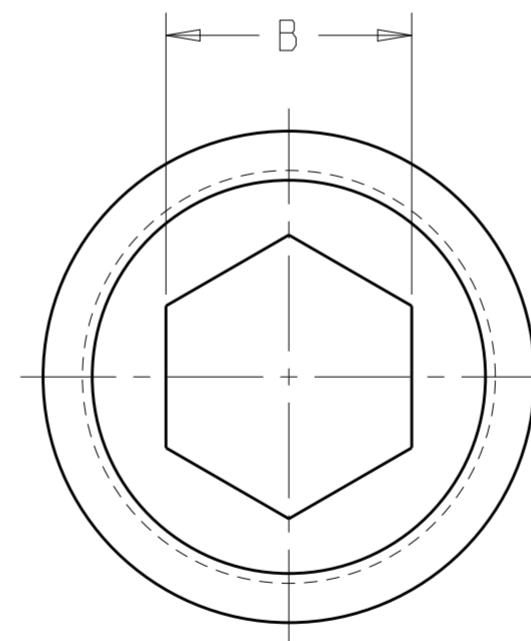


THIS DRAWING IS A CONTROLLED DOCUMENT

NUMBER 18032

PART NUMBER	REV	MASS REF Grams	THREAD	A	B	C	D
18032-1	A	0.22	M3	5	1.5	2.0	1.4
18032-2	A	0.48	M4	6	2.0	2.5	2.0
18032-3	A	0.87	M4	10	2.0	2.5	2.0
18032-4	A	0.71	M5	6	2.5	3.0	2.6
18032-5	A	1.02	M5	8	2.5	3.0	2.6
18032-6	A	1.32	M5	10	2.5	3.0	2.6
18032-7	A	1.63	M5	12	2.5	3.0	2.6
18032-8	A	1.40	M6	8	3.0	3.5	3.0
18032-9	A	2.29	M6	12	3.0	3.5	3.0
1-18032-0	A	3.17	M6	16	3.0	3.5	3.0
1-18032-1	A	5.17	M6	25	3.0	3.5	3.0
1-18032-2	A	2.28	M8	8	4.0	5.0	4.4
1-18032-3	A	3.86	M8	12	4.0	5.0	4.4
1-18032-4	A	5.44	M8	16	4.0	5.0	4.4
1-18032-5	A	8.99	M8	25	4.0	5.0	4.4
1-18032-6	A	4.52	M10	10	5.0	6.0	5.6
1-18032-7	A	8.22	M10	16	5.0	6.0	5.6
1-18032-8	A	13.77	M10	25	5.0	6.0	5.6
1-18032-9	A	11.25	M12	16	6.0	8.0	7.0
2-18032-0	A	19.24	M12	25	6.0	8.0	7.0
2-18032-1	B	2.25	M5	16	2.5	3.0	2.6
2-18032-2	C	0.50	M3	10	1.5	2.0	1.4
2-18032-3	D	6.28	M6	30	3.0	3.5	3.0
2-18032-4	E	2.84	M4	30	2.0	2.5	2.0
2-18032-5	F	2.87	M5	20	2.5	3.0	2.6
2-18032-6	G	14.91	M8	40	4.0	5.0	4.4
2-18032-7	H	0.44	M5	4	2.5	2.0	2.6
2-18032-8	J	8.50	M6	40	3.0	3.5	3.0
2-18032-9	K	4.45	M5	30	2.5	2.0	2.6
3-18032-0	K	5.99	M5	40	2.5	2.0	2.6
3-18032-1	L	1.84	M6	10	3.0	3.5	3.0
3-18032-2	M	1.86	M4	20	2.0	2.5	2.0
3-18032-3	N	1.06	M3	20	1.5	2.0	1.4
3-18032-4	R	0.28	M4	4	2.0	2.5	2.0
3-18032-5	S	1.07	M4	12	2.0	2.5	2.0
3-18032-6	S	1.46	M4	16	2.0	2.5	2.0
3-18032-7	T	0.11	M3	3	1.5	2.0	1.4
3-18032-8	U	3.63	M10	8	5.0	4.0	5.6
3-18032-9	V	0.17	M3	4	1.5	2.0	1.4
4-18032-0	W	7.53	M5	50	2.5	2.0	2.6
4-18032-1	Y	0.06	M2	3	0.9	0.8	1.0
4-18032-2	Z	0.21	M4	3	2.0	1.5	2.0
4-18032-3	AA	0.29	M3	6	1.5	1.2	1.4

1. MANUFACTURER/VENDOR PART NUMBER:
NONE
2. MANUFACTURER/VENDOR:
NONE
3. DIMENSIONS/TOLERANCES:
SHALL COMPLY WITH DIN 913 AND ASME B18.3.6M.
ALL DIMENSIONS ARE NOMINAL UNLESS OTHERWISE SPECIFIED.
4. COMPLIANCE:
ALL MATERIALS, COMPONENTS AND PROCESSES SHALL COMPLY WITH TEC-138-702 (CONTAINS NO BANNED SUBSTANCES).
5. REQUIRED CHARACTERISTICS/PERFORMANCE:
MATL: ALLOY STEEL THAT MEETS OR EXCEEDS ISO STANDARD 898/5, CLASS 45H.
SEE TABLE FOR ADDITIONAL INFORMATION
6. ALTERNATE PART NUMBER AND MANUFACTURER/VENDOR:
TE ENGINEERING APPROVED EQUIVALENT.



THIS INFORMATION IS CONFIDENTIAL AND PROPRIETARY TO TYCO ELECTRONICS CORPORATION AND ITS WORLDWIDE SUBSIDIARIES AND AFFILIATES (TE). IT MAY NOT BE DISCLOSED TO ANYONE, OTHER THAN TE PERSONNEL, WITHOUT AUTHORIZATION FROM TE (www.te.com).

APPLICATION TOOLING COMMERCIALY PURCHASED PRODUCT SPECIFICATION

DIMENSIONS: mm		MATERIAL ALY STL		FINISH BLACK OXIDE	
		TITLE SCREW, SET, SOCKET, FLAT POINT METRIC SERIES			
AA	ADD -43 / ECR-20-011834	21AUG2020	DJG	-	
LTR	REVISION RECORD	DATE	DWN	APVD	
SIZE A2	NUMBER 18032	SHEET 1	OF 1	REV AA	