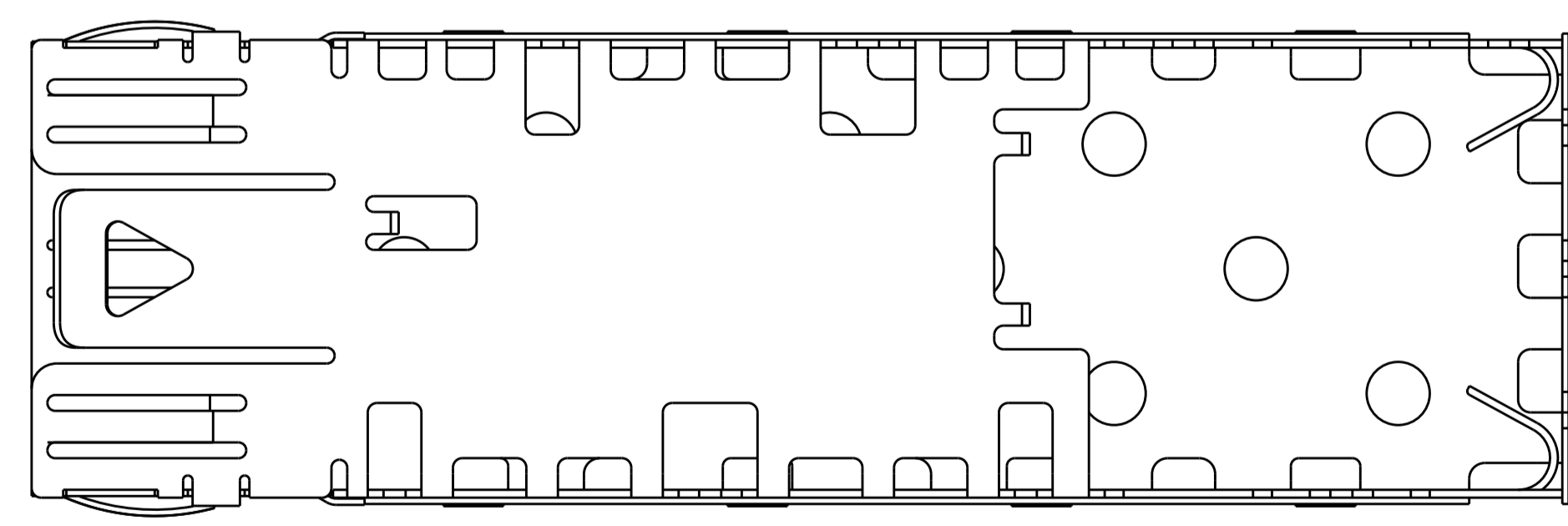
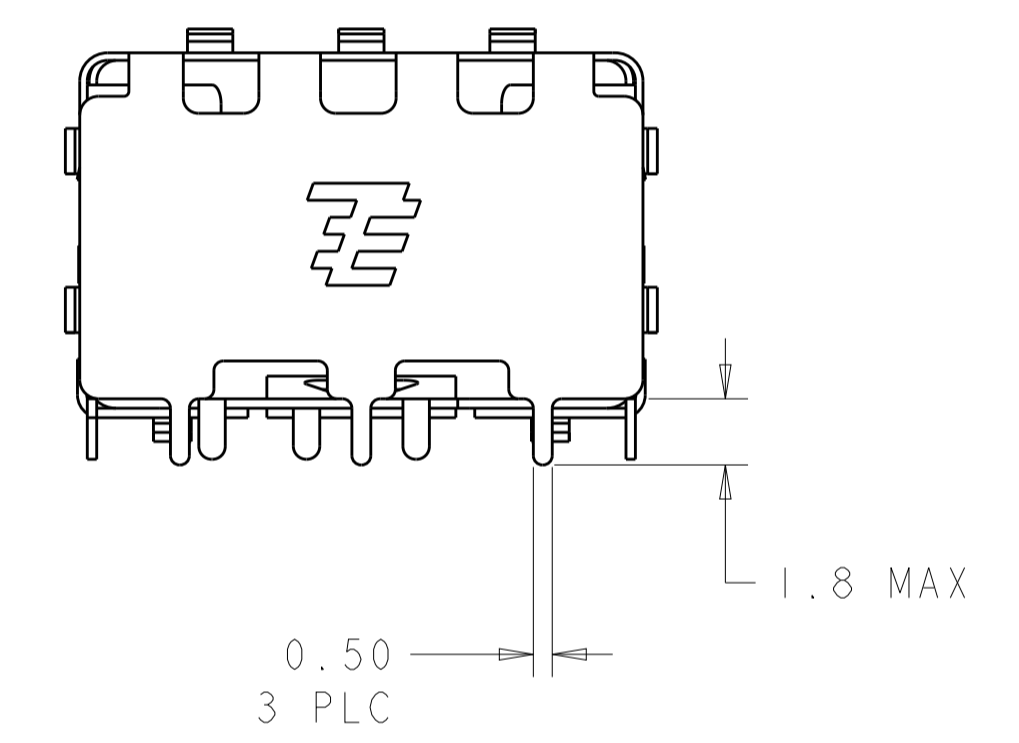
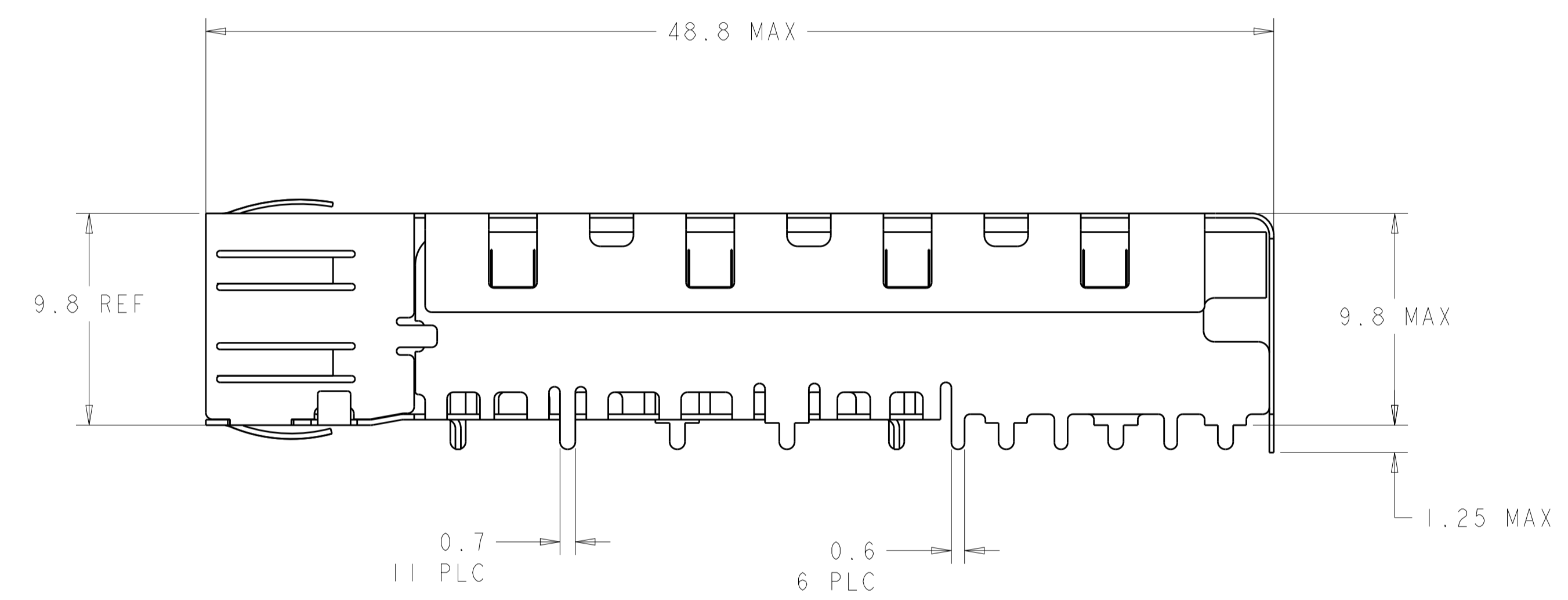
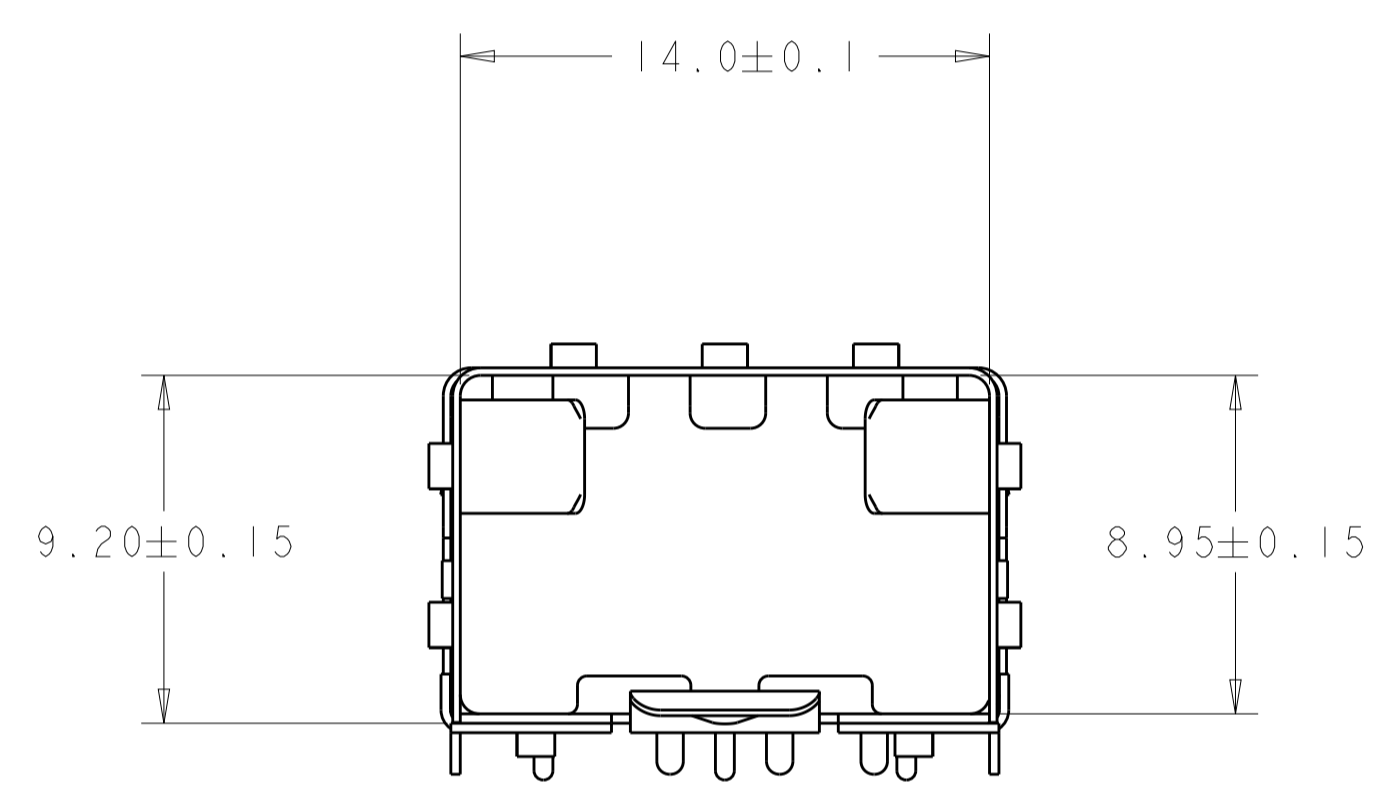
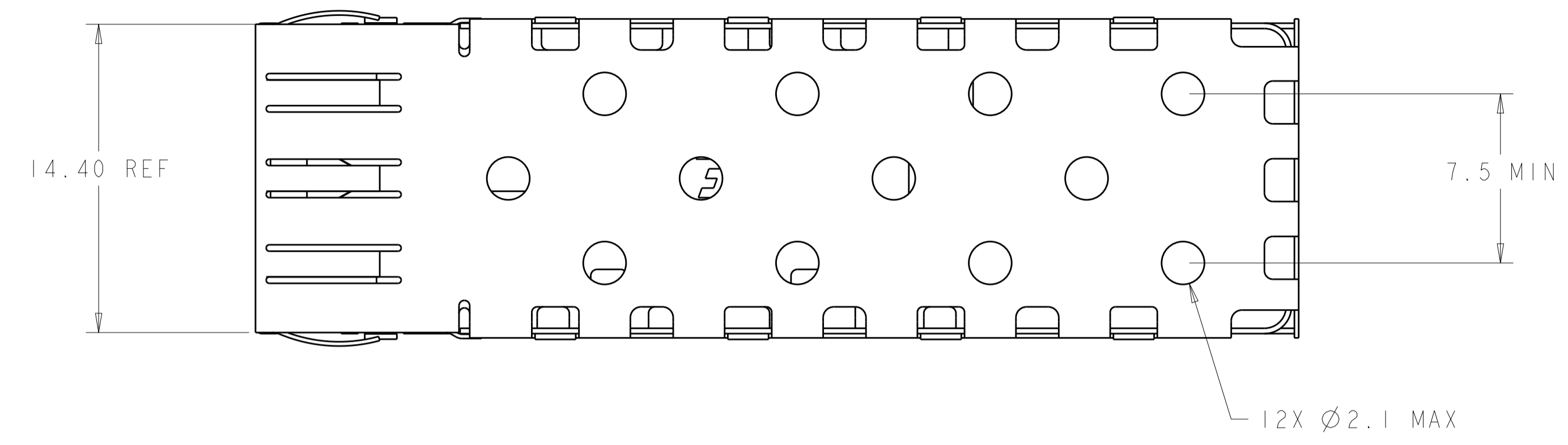


REVISIONS				
P	LTH	DESCRIPTION	DATE	APVD
D		OBSOLETE PER ECO-20-006503	09MAY2020	IT SH

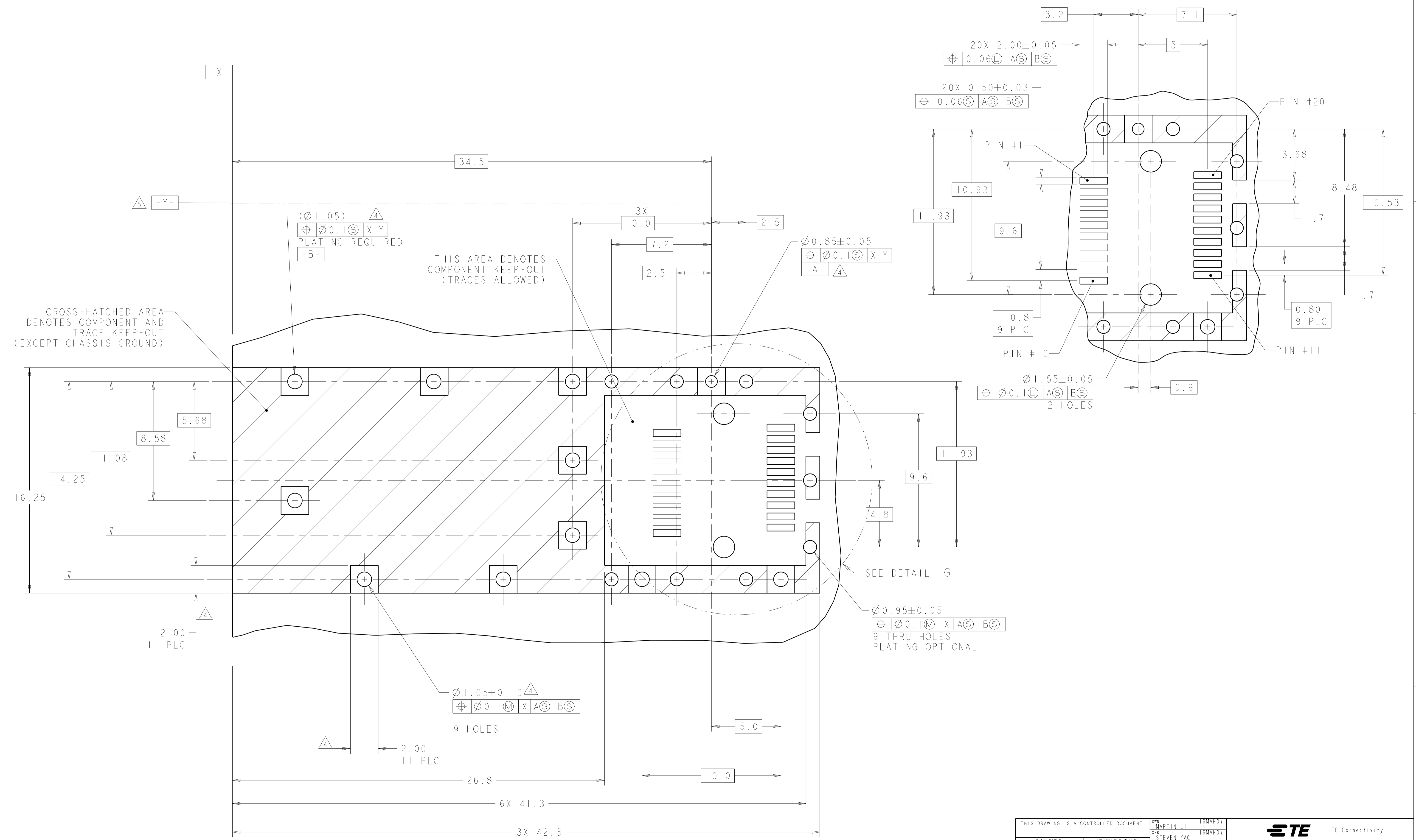


- 1. 0.25 THICK COPPER ALLOY.
- 2. 1.25 MICRONS MIN TIN OVER 0.125 MICRONS MIN NICKEL. BARE EDGES PERMISSIBLE.
- 3. SFP MSA COMPATIBLE.
- 4. PADS AND VIAS CHASSIS GROUND.
- 5. DATUM AND BASIC DIMENSION ESTABLISHED BY CUSTOMER.
- 6. 240 PIECES PER 15 INCH REEL.

OBSOLETE 1932002-1
PART NUMBER

THIS DRAWING IS A CONTROLLED DOCUMENT.		DWN: MARTIN LI 16MAR07	TE Connectivity
DIMENSIONS: mm		CHK: STEVEN YAO 16MAR07	
TOLERANCES UNLESS OTHERWISE SPECIFIED:		APVD: STEVEN YAO 16MAR07	NAME: CAGE ASSEMBLY SOLDER PIN, SFP
0 PLC ±0.13	1 PLC ±0.1	PRODUCT SPEC: 108-1950	SIZE: CAGE CODE DRAWING NO: A100779C=1932002
2 PLC ±0.05	3 PLC ±	APPLICATION SPEC: 114-13017	RESTRICTED TO: CUSTOMER DRAWING
4 PLC ±	ANGLES ±	WEIGHT: -	SCALE: 3:1 SHEET 1 OF 3 REV D
MATERIAL:	FINISH:	CUSTOMER DRAWING	

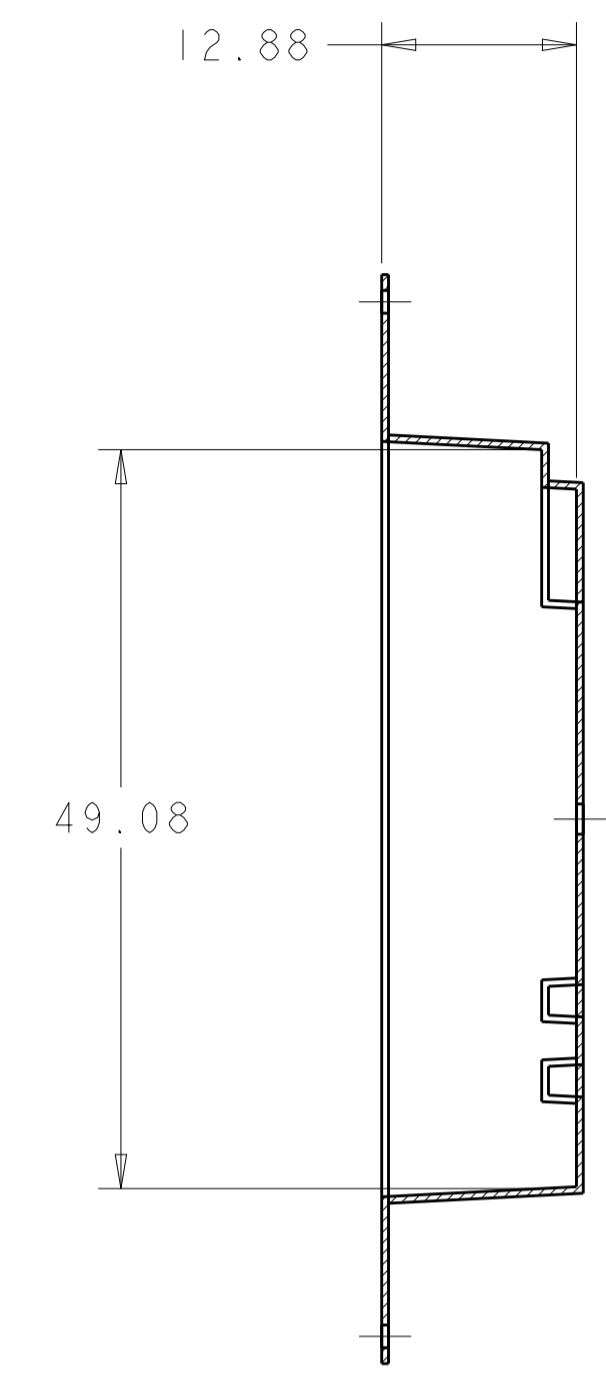
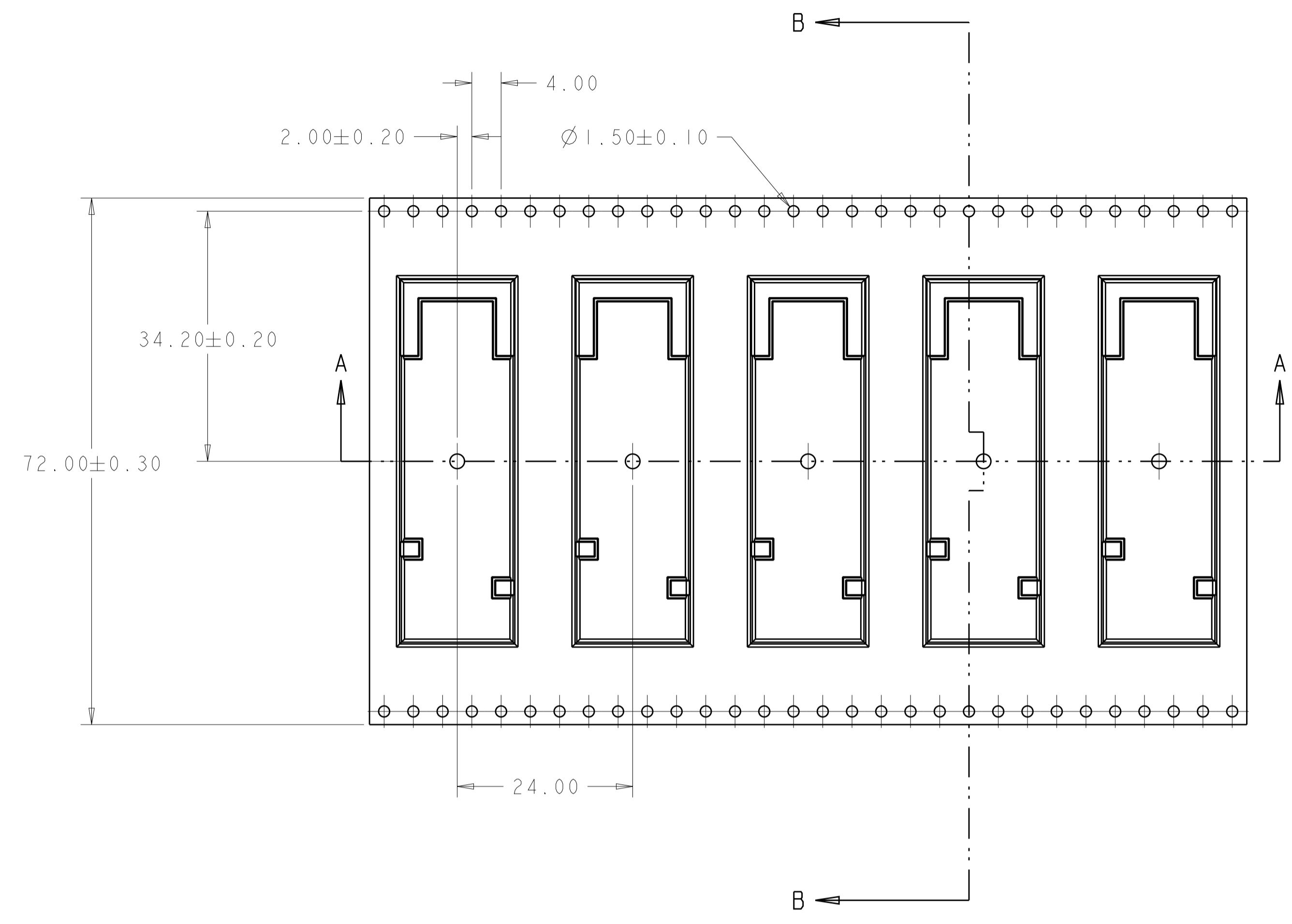
REVISIONS				
P.	LTN	DESCRIPTION	DATE	APP'D
-	SEE SHEET 1			



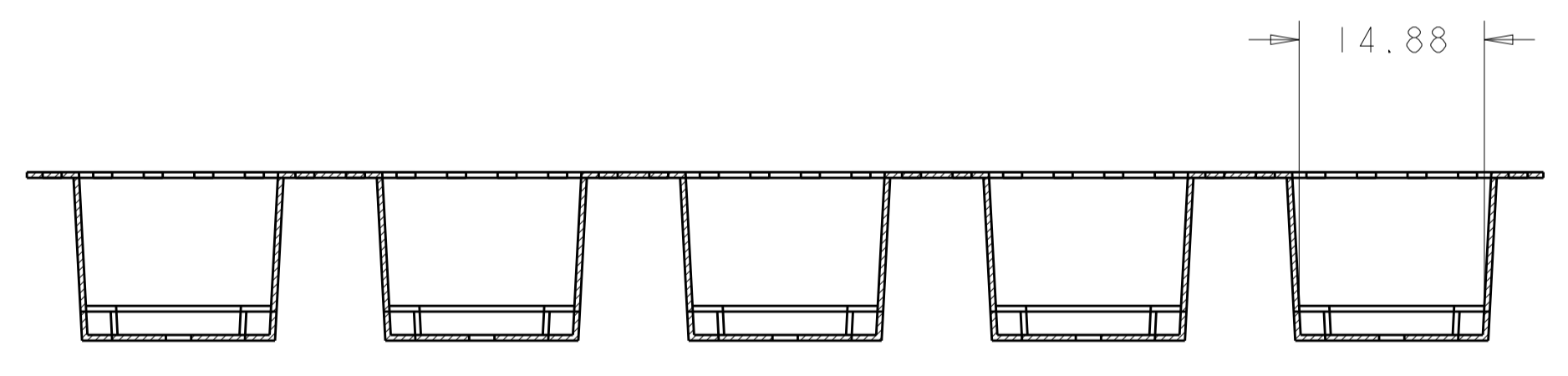
RECOMMENDED PCB LAYOUT

THIS DRAWING IS A CONTROLLED DOCUMENT.		OWN: MARTIN LI 16MAR07	TE Connectivity
DIMENSIONS: mm		CHK: STEVEN YAO 16MAR07	
TOLERANCES UNLESS OTHERWISE SPECIFIED:		APVD: STEVEN YAO 16MAR07	NAME: CAGE ASSEMBLY SOLDER PIN, SFP
0 PLC ±0.13	1 PLC ±0.1	PRODUCT SPEC	SIZE: CAGE CODE DRAWING NO
2 PLC ±0.05	3 PLC ±0.05	APPLICATION SPEC	RESTRICTED TO
4 PLC ±0.05	5 PLC ±0.05	114-13017	A100779C=1932002
MATERIAL: -	FINISH: -	WEIGHT: -	CUSTOMER DRAWING
SCALE: 5:1		SHEET: 2 OF 3	REV: D

REVISIONS				
P.	LTN	DESCRIPTION	DATE	APP'D
-	-	SEE SHEET 1	-	-




SECTION B-B



SECTION A-A

1932002-1 REEL PACKAGING

THIS DRAWING IS A CONTROLLED DOCUMENT.		DWN: MARTIN LI 16MAR07	 TE Connectivity
DIMENSIONS: mm		CHK: STEVEN YAO 16MAR07	
TOLERANCES UNLESS OTHERWISE SPECIFIED:		APVD: STEVEN YAO 16MAR07	NAME: CAGE ASSEMBLY SOLDER PIN, SFP
0 PLC ±0.13	1 PLC ±0.1	PRODUCT SPEC: 108-1950	SIZE: A
2 PLC ±0.05	3 PLC ±	APPLICATION SPEC: 114-13017	CAGE CODE: 1932002
4 PLC ±	ANGLES ±	WEIGHT: -	RESTRICTED TO: -
MATERIAL: -	FINISH: -	CUSTOMER DRAWING	SCALE: 5:1
		SHEET 3 OF 3	REV D