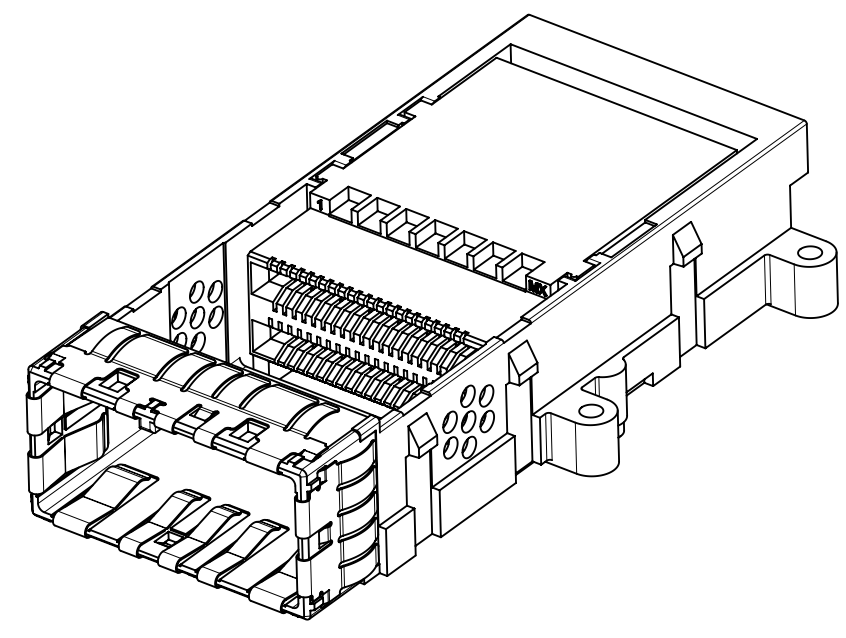
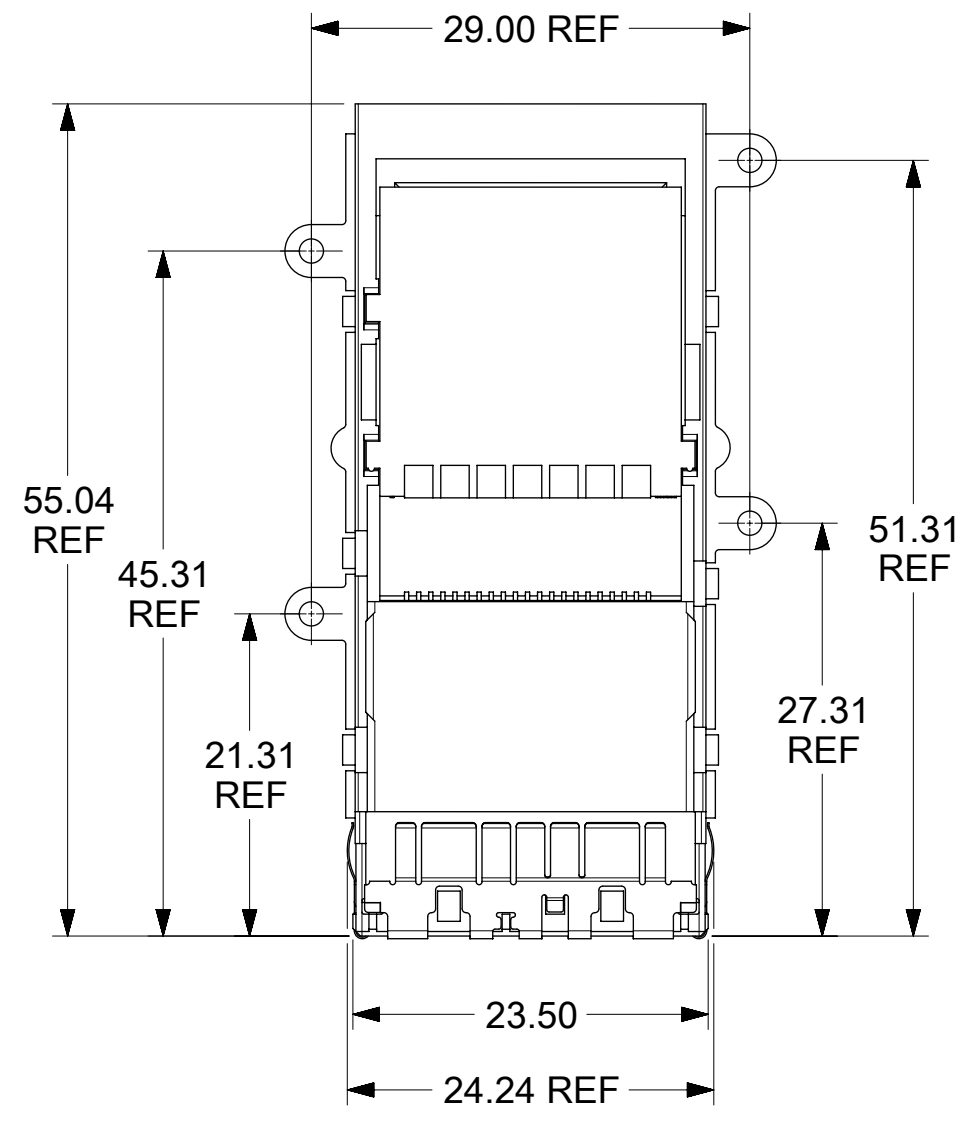
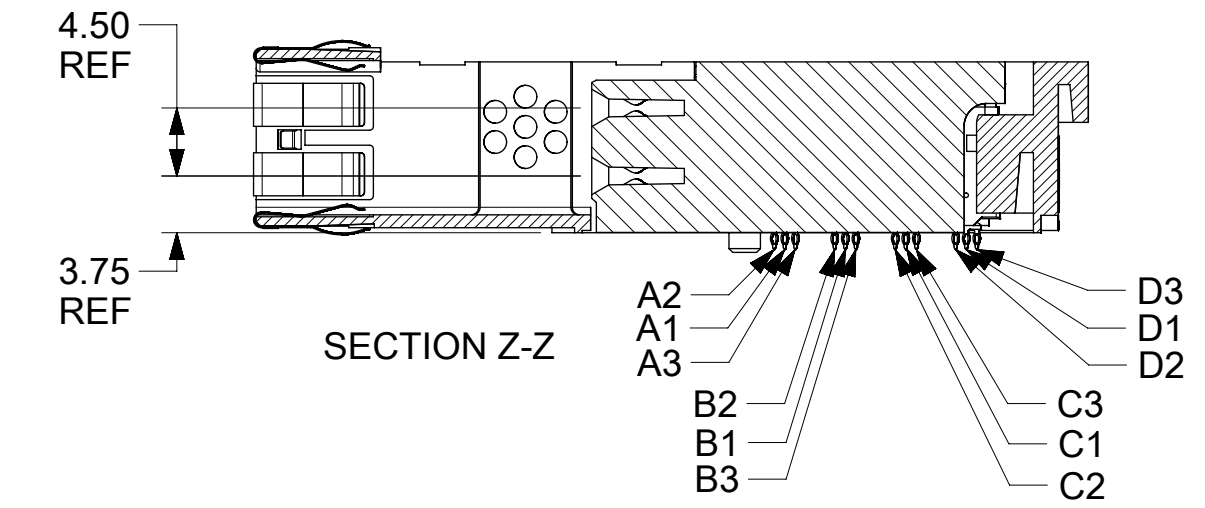
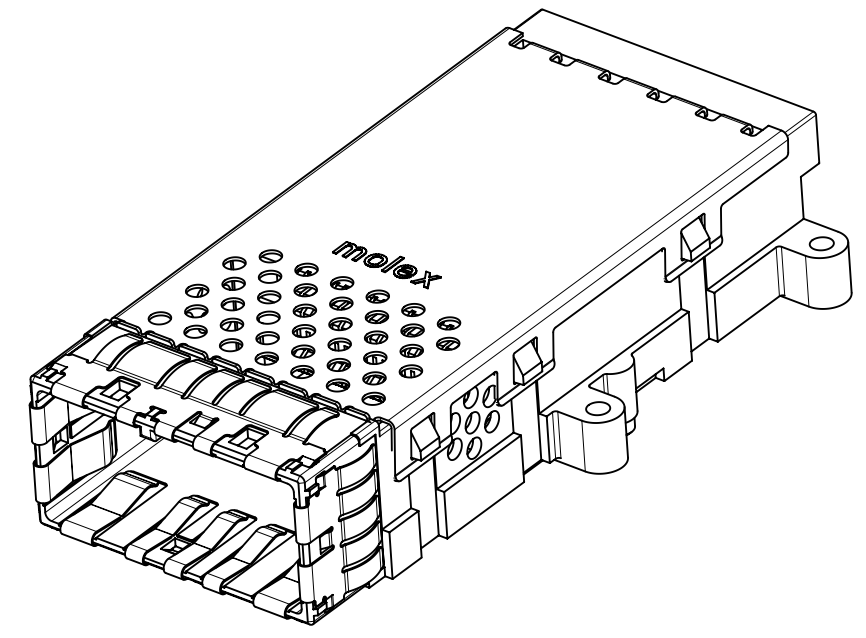


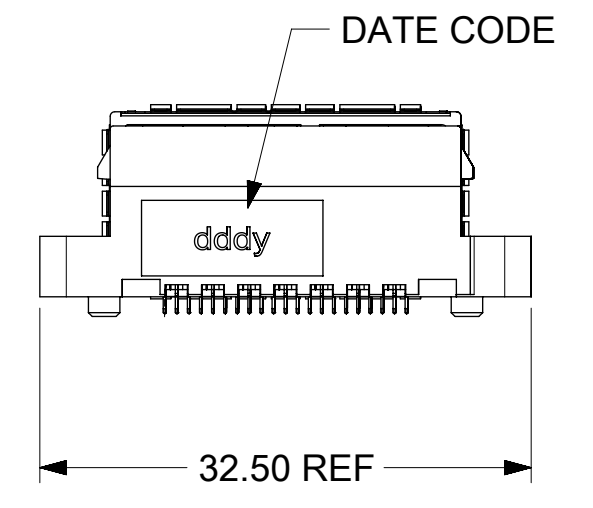
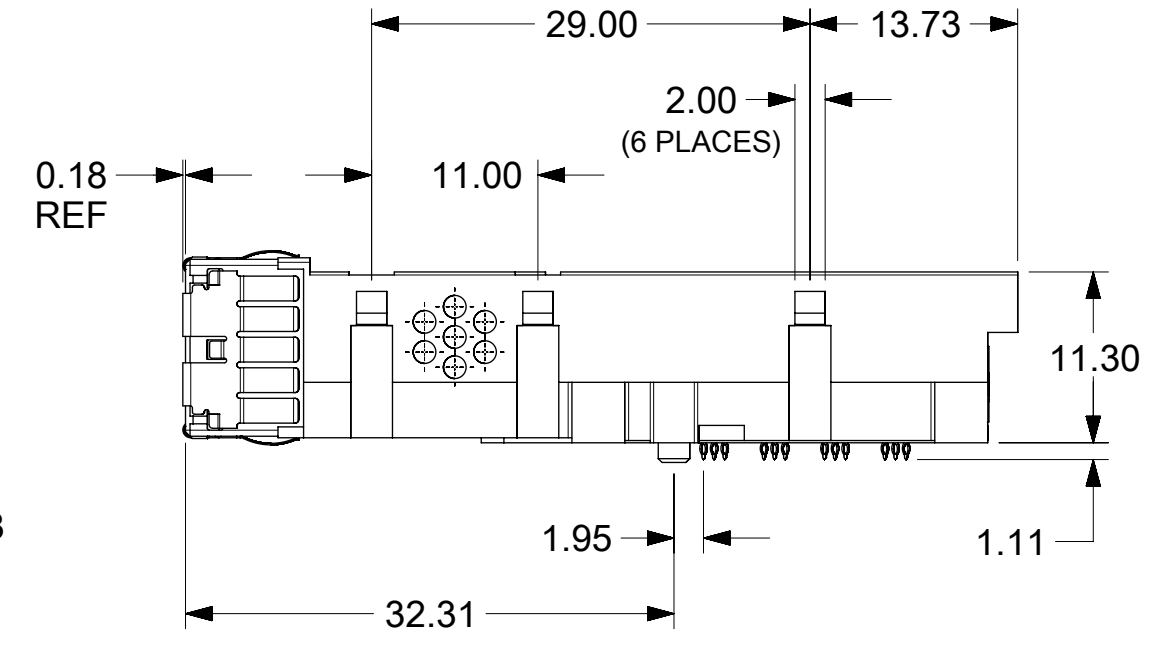
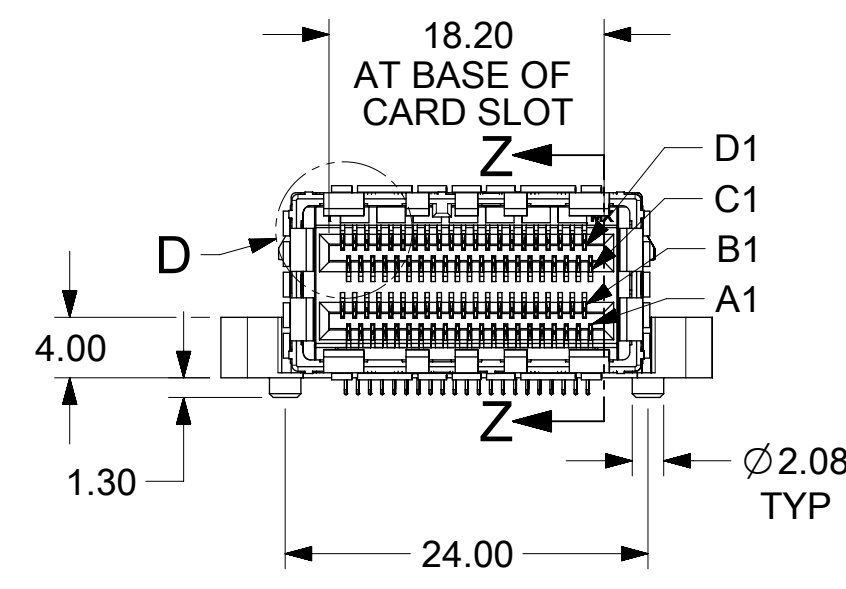
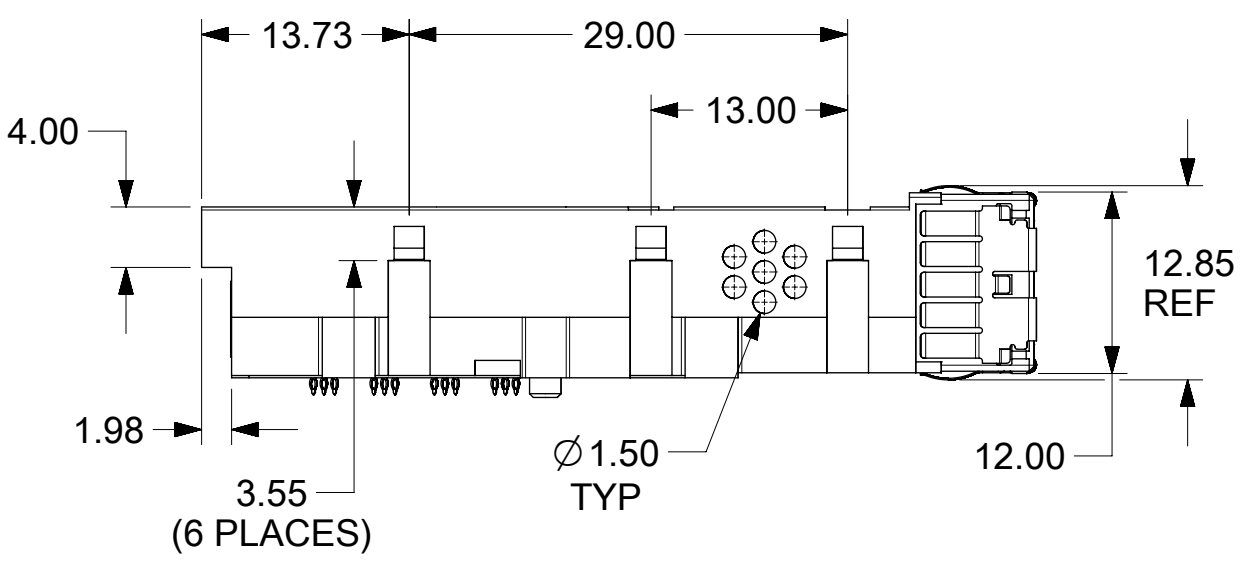
MATERIAL	DESCRIPTION
1731240005	NO COVER
1731240006	WITH COVER



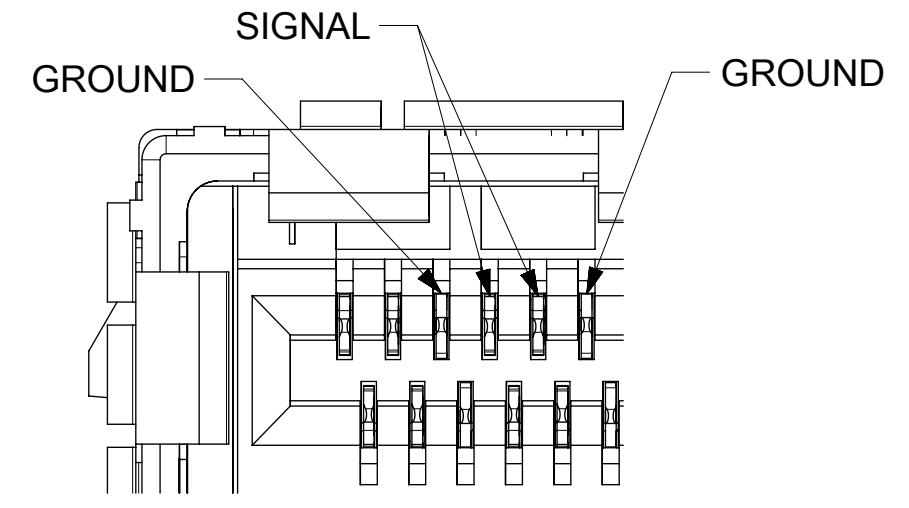
1731240005



1731240006

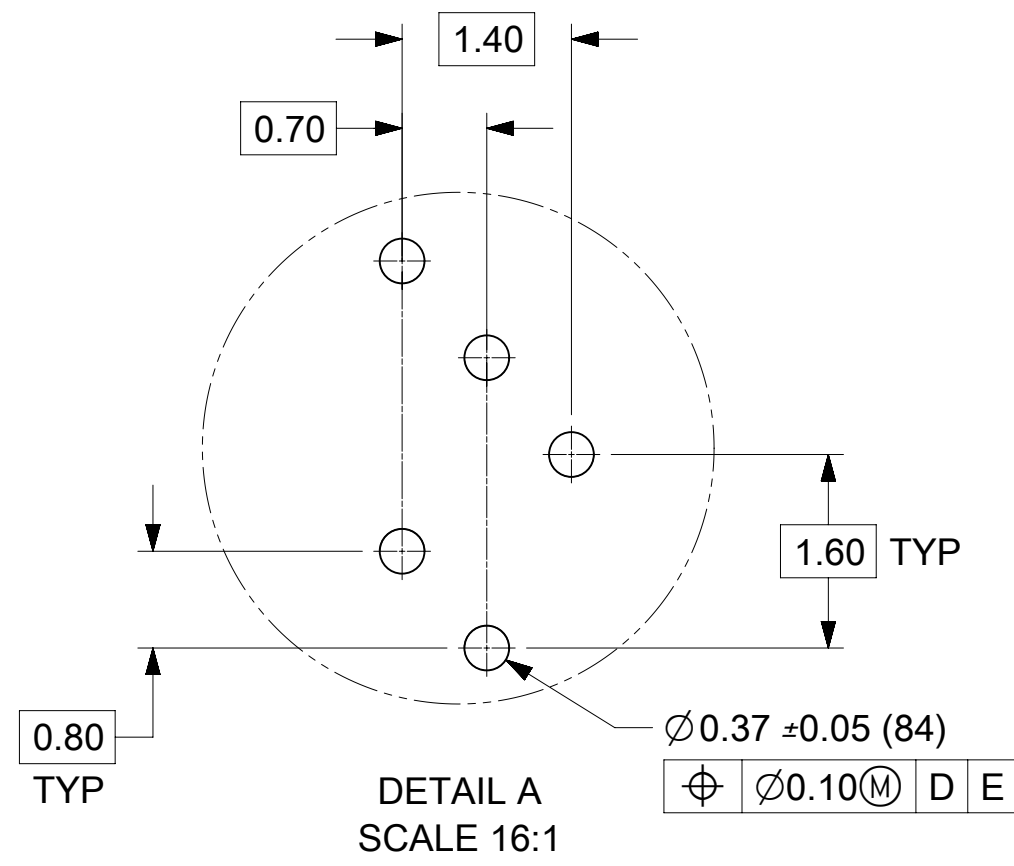
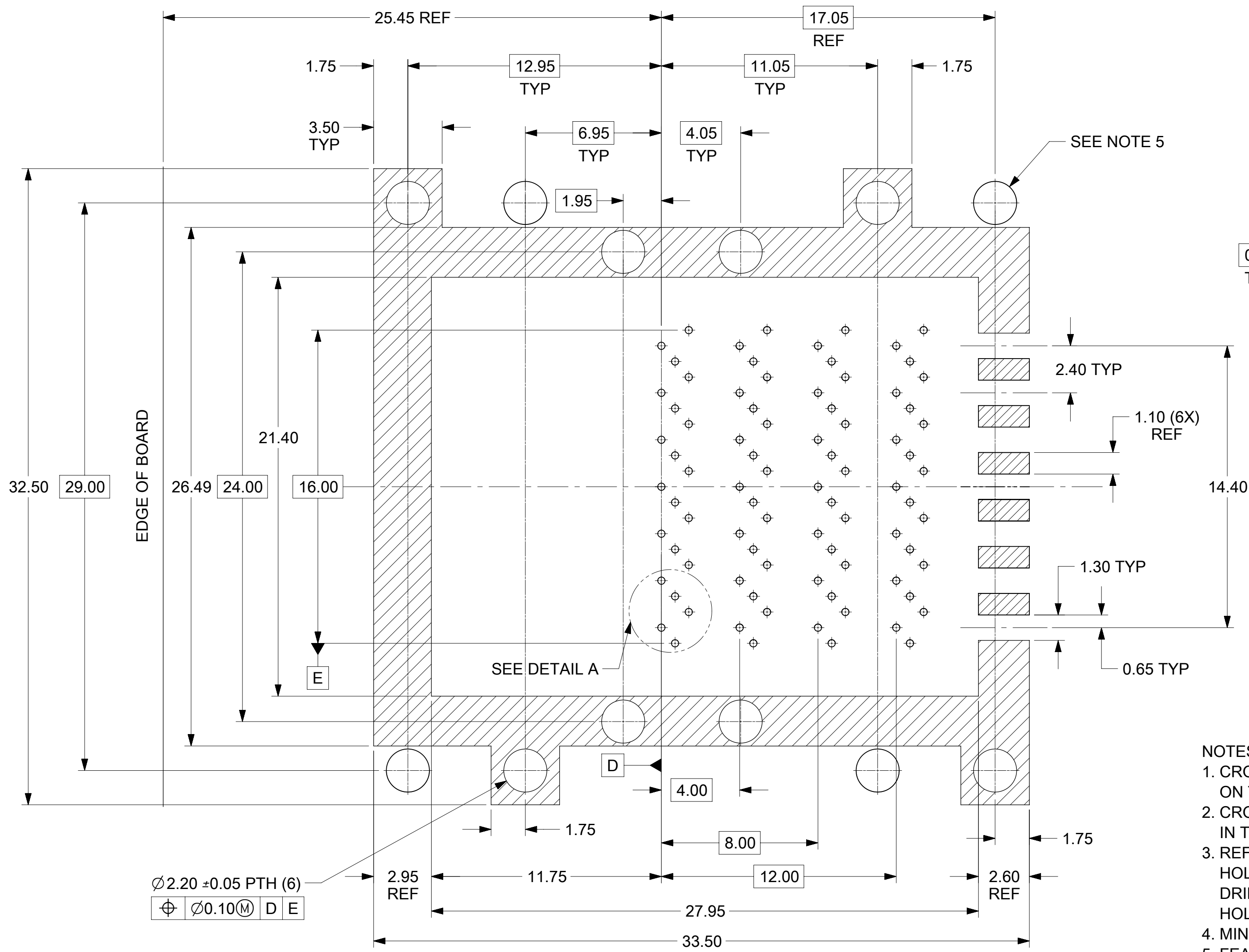


- NOTES:
- MATERIALS:  
CONNECTOR HOUSING: HIGH TEMPERATURE THERMOPLASTIC GLASS-FILLED, UL 94V-0  
EMI HOUSING: NICKEL PLATED DIE CAST ALLOY  
COVER: STAINLESS STEEL  
EMI CLIPS: NICKEL PLATED PHOS BRONZE  
TERMINALS: COPPER ALLOY
  - PLATING:  
CONTACT AREA: 0.76µm MIN. GOLD OVER 2.54µm MIN. NICKEL  
TAIL AREA: 0.76µm - 1.52µm TIN OVER 1.27µm MIN NICKEL
  - THIS CONNECTOR IS DESIGNED TO MATE WITH MOLEX CABLE SERIES INDICATED IN THE MOLEX PRODUCT SPEC. PS-173124-0001.
  - REFER TO ROUTING GUIDE AS-173124-0002 FOR PCB TRACE INFORMATION.
  - PACKAGING SPECIFICATION: TRAY PACK PER PK-170501-0001.
  - REFER TO AS-170501-0001 FOR THE APPLICATION SPECIFICATION.
  - MOUNTING HARDWARE REQUIRED: M2x0.4 CAP SCREWS (4)  
MOUNTING SCREW LENGTH: BOARD THICKNESS + 4mm MAX
  - THERMAL SOLUTION MUST PROVIDE MODULE GUIDANCE OR MODULE MAY STUB ON CONNECTOR DURING MATING. SAME FUNCTION AS COVER OR HEATSINK.



DETAIL D  
SCALE 8:1

SYMBOLS		THIS DRAWING CONTAINS INFORMATION THAT IS PROPRIETARY TO MOLEX ELECTRONIC TECHNOLOGIES, LLC AND SHOULD NOT BE USED WITHOUT WRITTEN PERMISSION	
▽ = 0	mm	DIMENSION UNITS	SCALE
▽ = 0	GENERAL TOLERANCES (UNLESS SPECIFIED)	CURRENT REV DESC: CORRECT DIMENSIONS	
▽ = 0	ANGULAR TOL ± 0.5°	EC NO: 617058	
▽ = 0	4 PLACES ±	DRWN: RCHEN55	2018/11/12
▽ = 0	3 PLACES ±	CHK'D: ETSENG	2019/05/10
▽ = 0	2 PLACES ± 0.25	APPR: RNELSON	2019/05/17
▽ = 0	1 PLACE ±	INITIAL REVISION:	
▽ = 0	0 PLACES ±	DRWN: VK10	2017/02/15
▽ = 0	DRAFT WHERE APPLICABLE MUST REMAIN WITHIN DIMENSIONS	APPR: SMILLER	2017/04/17
▽ = 0	THIRD ANGLE PROJECTION	DRAWING	SERIES
▽ = 0	C-SIZE	173124	
DOCUMENT STATUS		DOCUMENT NUMBER	DOC TYPE
P1	RELEASE DATE	SD-173124-0005	PSD
2019/05/17	13:24:24	CUSTOMER	DOC PART
		GENERAL MARKET	000
		SHEET NUMBER	REVISION
		1 OF 5	B

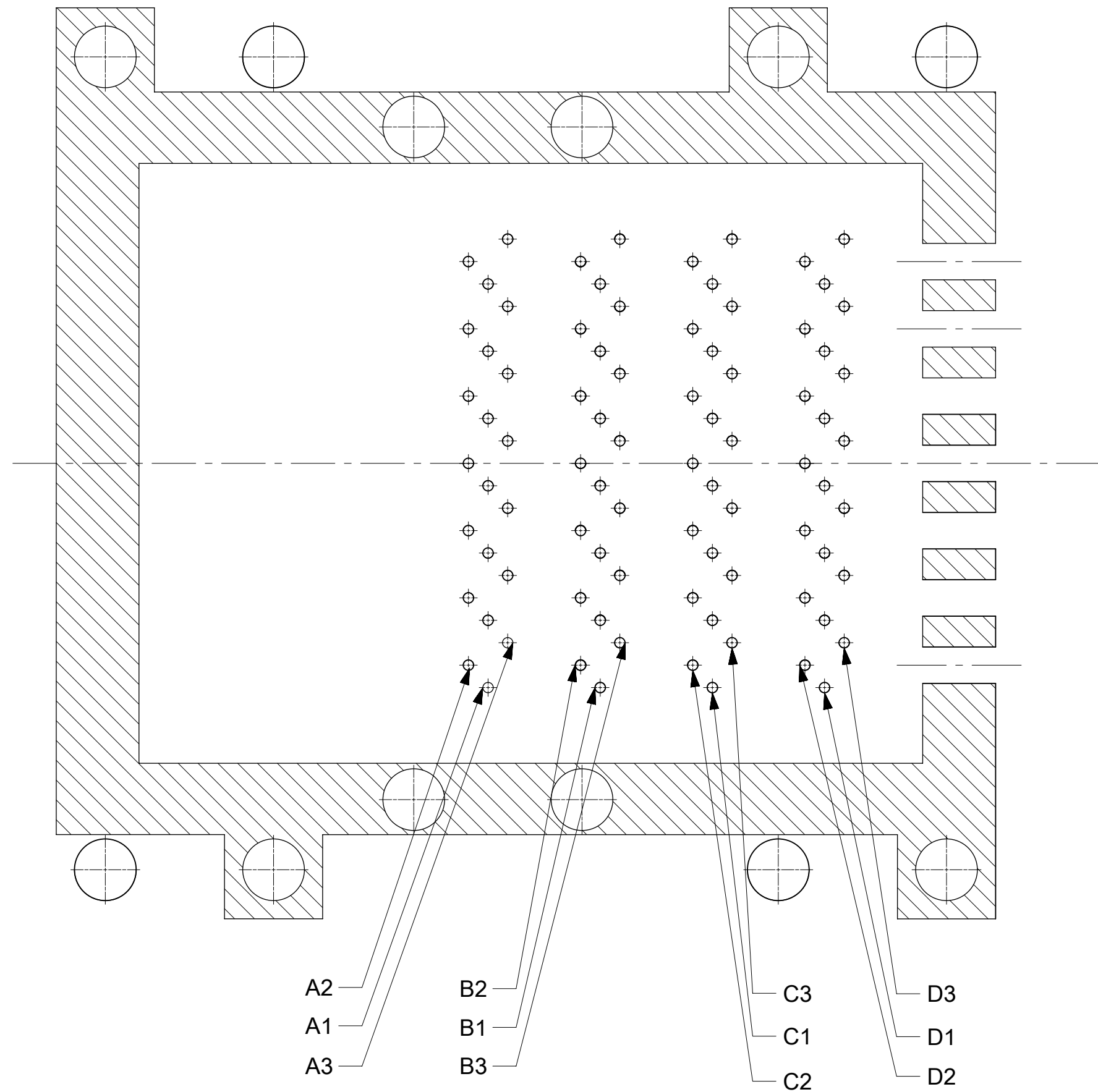
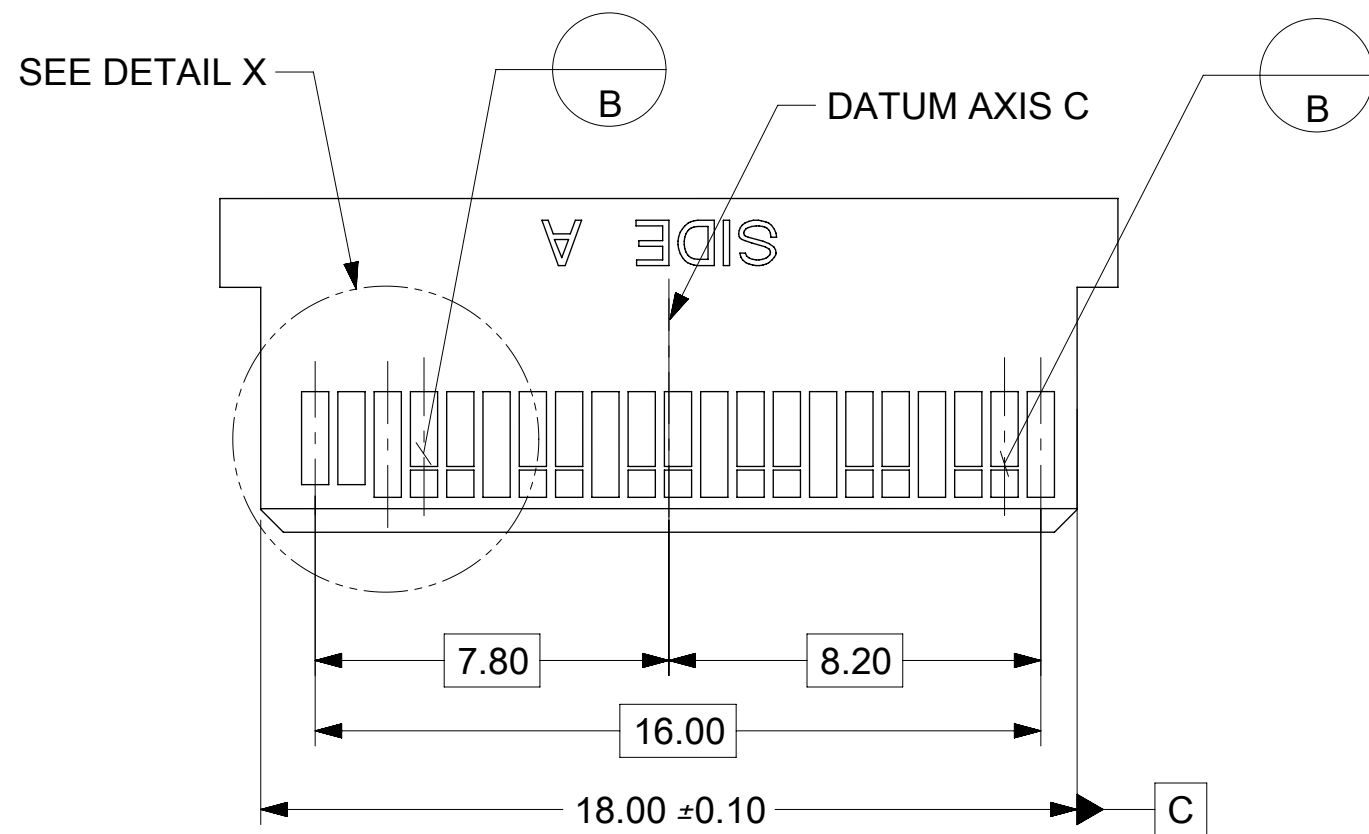
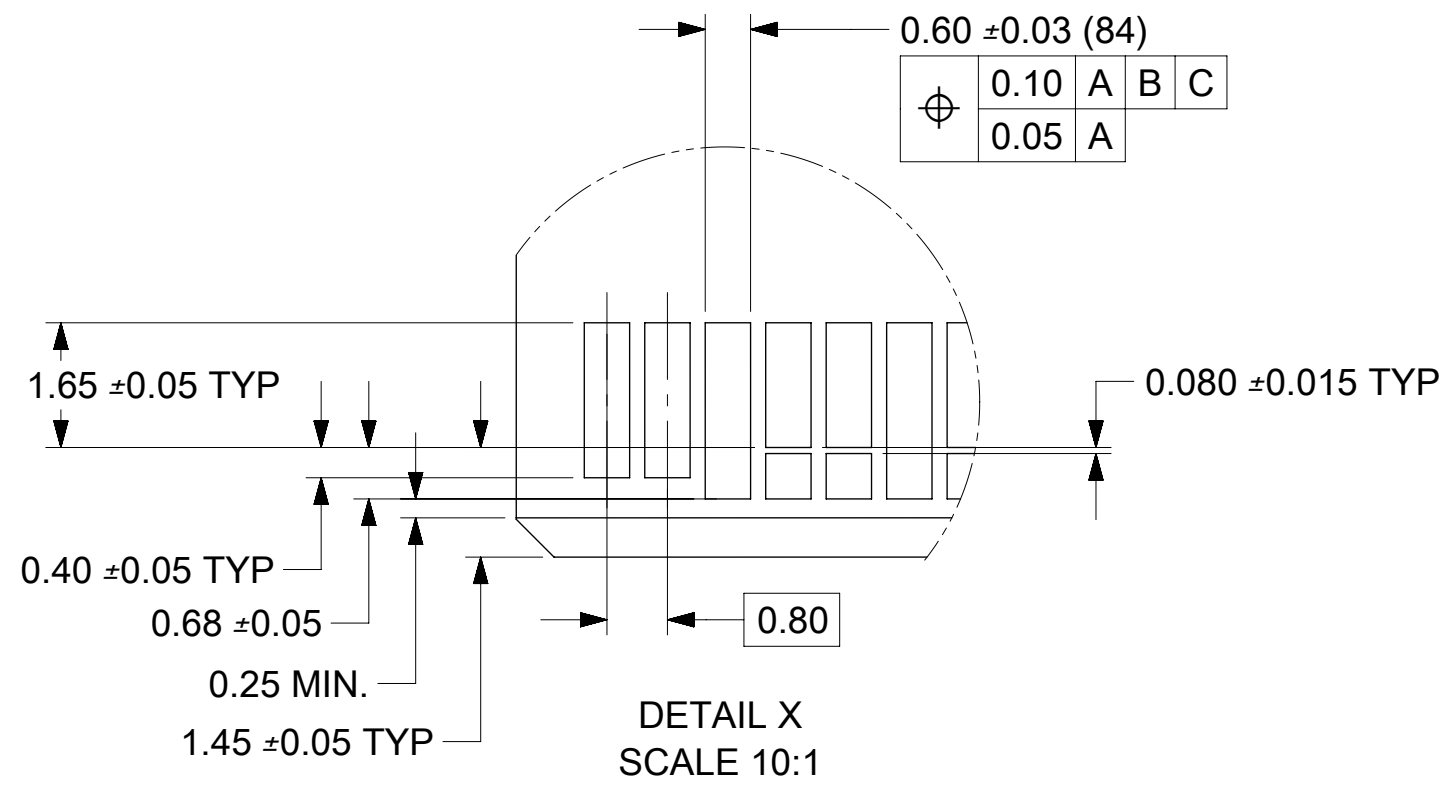
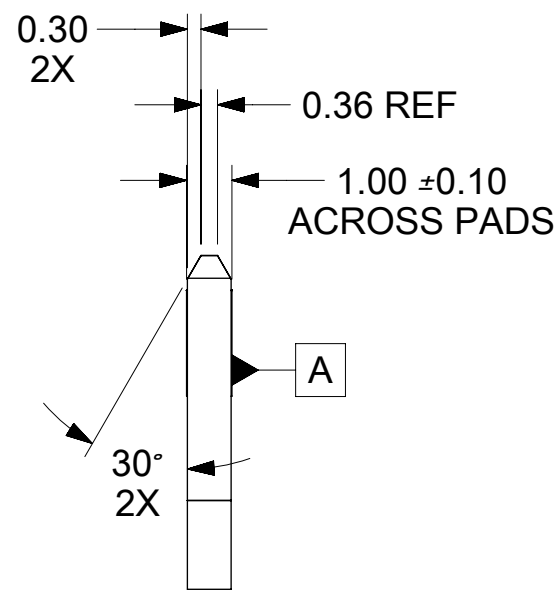
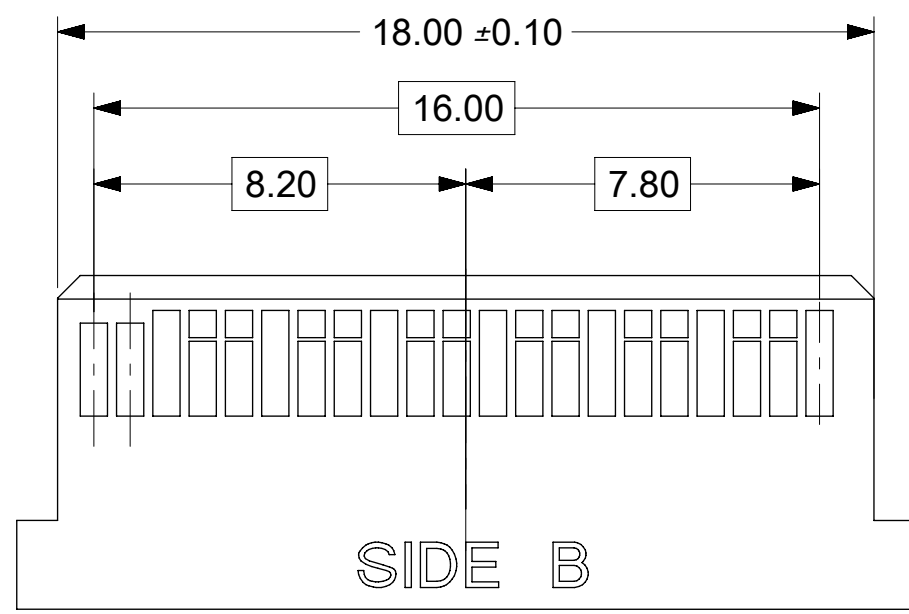


- NOTES:
- CROSS-HATCHED AREA TO BE CONDUCTIVE ON THE PCB.
  - CROSS-HATCHED AREA MUST BE INCORPORATED IN THE FLAT ROCK PRESS-FIT TOOLING.
  - REFER TO THE PLATING DETAIL OF THE COMPLIANT PIN HOLES IN THE APPLICATION SPEC AS-173124-0002 FOR THE DRILL SIZE AND ANNULAR RING FOR THE Ø0.37 FINISHED HOLE.
  - MINIMUM RECOMMENDED SPACING: 29.00
  - FEATURES IN PHANTOM LINES ARE RELATED FOR USE WITH CONNECTOR ASSEMBLY SERIES 173159 FOR GANGED SIDE BY SIDE AND BELLY TO BELLY APPLICATIONS.
  - NO SIGNAL ROUTING ON TOP LAYER.

RECOMMENDED PCB LAYOUT  
COMPONENT SIDE SHOWN

PCB THICKNESS: 1.44mm MIN.

SYMBOLS		THIS DRAWING CONTAINS INFORMATION THAT IS PROPRIETARY TO MOLEX ELECTRONIC TECHNOLOGIES, LLC AND SHOULD NOT BE USED WITHOUT WRITTEN PERMISSION	
▽ = 0	mm	SCALE	CURRENT REV DESC: CORRECT DIMENSIONS
▽ = 0	GENERAL TOLERANCES (UNLESS SPECIFIED)		EC NO: 617058 DRWN: RCHEN55 2018/11/12 CHK'D: ETSENG 2019/05/10 APPR: RNELSON 2019/05/17
▽ = 0	ANGULAR TOL ± 0.5°		
▽ = 0	4 PLACES ±		INITIAL REVISION: DRWN: VK10 2017/02/15 APPR: SMILLER 2017/04/17
▽ = 0	3 PLACES ±		
▽ = 0	2 PLACES ± 0.25		DOCUMENT NUMBER
▽ = 0	1 PLACE ±		SD-173124-0005
▽ = 0	0 PLACES ±		DOC TYPE
▽ = 0	DRAFT WHERE APPLICABLE MUST REMAIN WITHIN DIMENSIONS		PSD
▽ = 0	THIRD ANGLE PROJECTION	DRAWING	DOC PART
▽ = 0	C-SIZE	SERIES	000
▽ = 0	173124	MATERIAL NUMBER	REVISION
▽ = 0	SEE TABLE	CUSTOMER	B
▽ = 0	GENERAL MARKET	SHEET NUMBER	
▽ = 0		2 OF 5	



- NOTES:
- 0.03 MINIMUM KEEP OUT FOR SOLDER MASK AROUND ALL PADS
  - DATUM B TARGETS ARE DEFINED BY THE RESPECTIVE PAD CENTER LINES AND THE LEADING EDGE OF THE TARGET PADS

THIS DRAWING CONTAINS INFORMATION THAT IS PROPRIETARY TO MOLEX ELECTRONIC TECHNOLOGIES, LLC AND SHOULD NOT BE USED WITHOUT WRITTEN PERMISSION											
SYMBOLS		DIMENSION UNITS		SCALE		CURRENT REV DESC: CORRECT DIMENSIONS				DOCUMENT NUMBER	
▽ = 0	0	mm				EC NO: 617058				SD-173124-0005	
▽ = 0	0	GENERAL TOLERANCES (UNLESS SPECIFIED)				DRWN: RCHEN55 2018/11/12				PSD 000 B	
▽ = 0	0	ANGULAR TOL ± 0.5°				CHK'D: ETSENG 2019/05/10				DOC TYPE DOC PART REVISION	
▽ = 0	0	4 PLACES ±				APPR: RNELSON 2019/05/17				PRODUCT CUSTOMER DRAWING	
▽ = 0	0	3 PLACES ±				INITIAL REVISION:				MATERIAL NUMBER CUSTOMER SHEET NUMBER	
▽ = 0	0	2 PLACES ± 0.25				DRWN: VK10 2017/02/15				SEE TABLE GENERAL MARKET 3 OF 5	
▽ = 0	0	1 PLACE ±				APPR: SMILLER 2017/04/17					
▽ = 0	0	0 PLACES ±				DRAFT WHERE APPLICABLE MUST REMAIN WITHIN DIMENSIONS					
▽ = 0	0	THIRD ANGLE PROJECTION				DRAWING SERIES C-SIZE 173124					

**molex**

ZCXP BELLY TO BELLY  
SHORT ASSEMBLY EXTENDED EMI CLIP

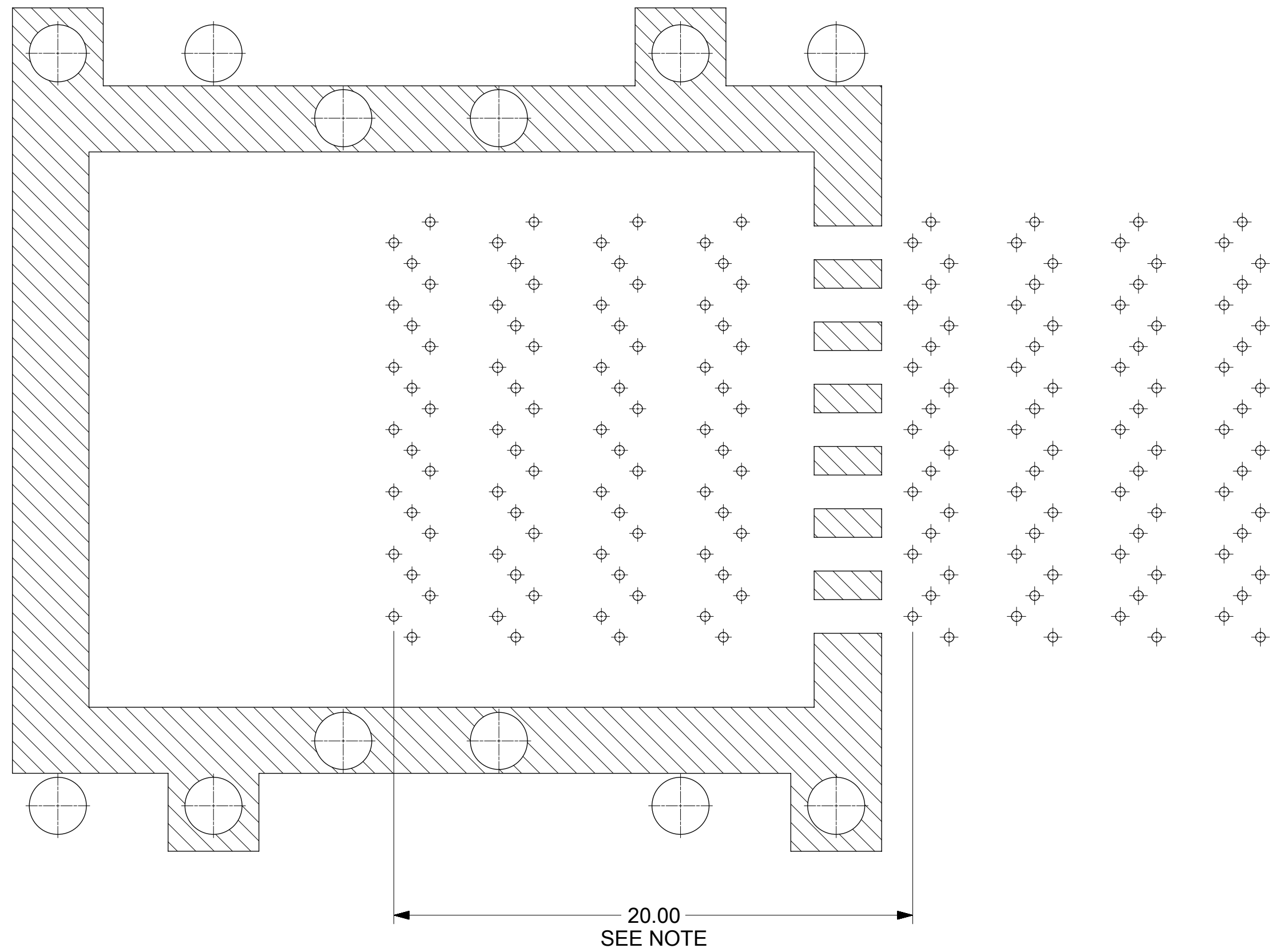
PRODUCT CUSTOMER DRAWING

DOCUMENT NUMBER DOC TYPE DOC PART REVISION

SD-173124-0005 PSD 000 B

MATERIAL NUMBER CUSTOMER SHEET NUMBER

SEE TABLE GENERAL MARKET 3 OF 5



NOTE:  
1. WHEN USED WITH CONNECTOR SERIES 173159  
VIA PATTERN WILL APPEAR AS SHOWN.

THIS DRAWING CONTAINS INFORMATION THAT IS PROPRIETARY TO MOLEX ELECTRONIC TECHNOLOGIES, LLC AND SHOULD NOT BE USED WITHOUT WRITTEN PERMISSION														
SYMBOLS		DIMENSION UNITS		SCALE		CURRENT REV DESC: CORRECT DIMENSIONS								
▽ = 0 ▽ = 0 ▽ = 0 ▽ = 0 ▽ = 0 ▽ = 0 ▽ = 0 ▽ = 0 ▽ = 0		mm				EC NO: 617058 DRWN: RCHEN55 2018/11/12 CHK'D: ETSENG 2019/05/10 APPR: RNELSON 2019/05/17						ZCXP BELLY TO BELLY SHORT ASSEMBLY EXTENDED EMI CLIP		
▽ = 0 ▽ = 0 ▽ = 0 ▽ = 0 ▽ = 0 ▽ = 0 ▽ = 0 ▽ = 0 ▽ = 0		GENERAL TOLERANCES (UNLESS SPECIFIED) ANGULAR TOL ± 0.5° 4 PLACES ± 3 PLACES ± 2 PLACES ± 0.25 1 PLACE ± 0 PLACES ±				INITIAL REVISION: DRWN: VK10 2017/02/15 APPR: SMILLER 2017/04/17				PRODUCT CUSTOMER DRAWING				
		DRAFT WHERE APPLICABLE MUST REMAIN WITHIN DIMENSIONS		THIRD ANGLE PROJECTION		DRAWING		SERIES		DOCUMENT NUMBER		DOC TYPE	DOC PART	REVISION
						C-SIZE		173124		SD-173124-0005		PSD	000	B
										MATERIAL NUMBER		CUSTOMER		SHEET NUMBER
										SEE TABLE		GENERAL MARKET		4 OF 5

