

Technical Data:

Number of positions	4 + 3 + PE
Number of contacts	4 4
Contact Ø [mm]	1 2
Nominal current [A]	12 18
Nominal voltage [V~]	300 600
Degree of pollution 3	
Test voltage [V~]	1700 1700
Max. contact resistance [mΩ]	3
Insulation resistance [MΩ]	>100
Protection	IP67 (connected)
Temperature range (fixed)	-40°C to 90°C
Temperature range (flex)	-25°C to 80°C

Further details see Product Specification 1204800050
The cordsets delivered packed into carton without PE-bag

**WIRING DIAGRAM
CONNECTION: IN-LINE**

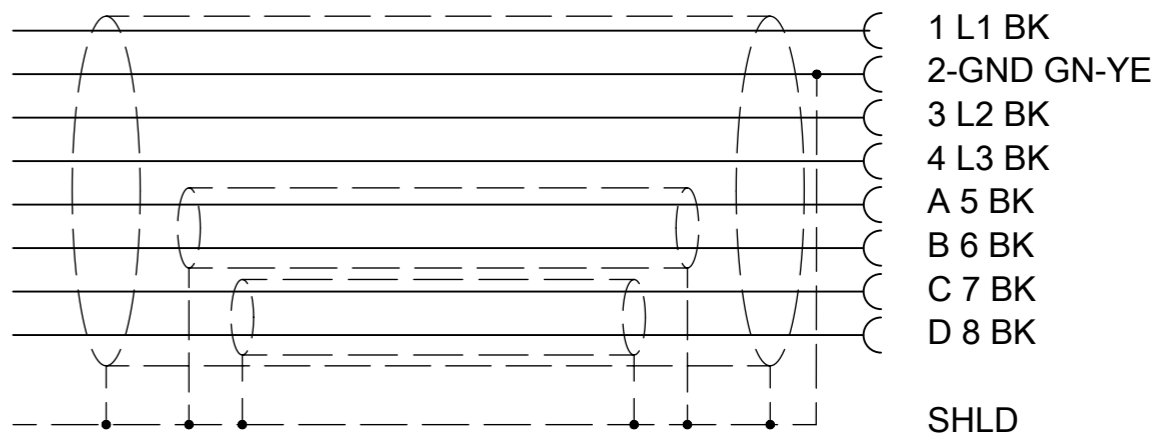


TABLE 1

MOLEX PN	L [mm]	Tol.[mm]
1204800661	1000	+40
1204800662	2000	+60
1204800663	3000	+60
1204800664	4000	+60
1204800665	5000	+60
1204800666	10000	+80
1204800667	15000	+140
1204800668	20000	+140

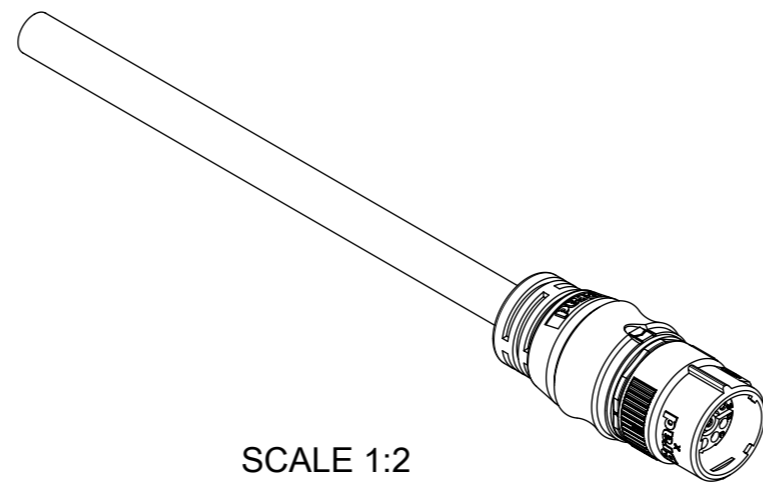


TABLE 2

POS	QTY	DESCRIPTION
1	1	PLG M23QC 4P+3P+PE PC FE STR SHLD
2	1	CABLE 4X1.5+2X(2X0.75) WSOR OR D12.1 SHL

SYMBOLS		THIS DRAWING CONTAINS INFORMATION THAT IS PROPRIETARY TO MOLEX ELECTRONIC TECHNOLOGIES, LLC AND SHOULD NOT BE USED WITHOUT WRITTEN PERMISSION		CURRENT REV DESC:		molex		
▽ = 0	mm	SCALE	SCALE					
▽ = 1	GENERAL TOLERANCES (UNLESS SPECIFIED)		EC NO: 625960			CSE M23QC 8P PC FE STR WSOR XM SHLD		
▽ = 0	ANGULAR TOL ± 1.0°		DRWN: THAERDT 2019/10/21			PRODUCT CUSTOMER DRAWING		
▽ = 0	4 PLACES ±		CHK'D: RSILLER 2019/11/21			DOCUMENT NUMBER		
▽ = 0	3 PLACES ±		APPR: RSILLER 2019/11/21			1204800661		
▽ = 0	2 PLACES ± 0.05		INITIAL REVISION:			DOC TYPE DOC PART REVISION		
▽ = 0	1 PLACE ± 0.3		DRWN: MSCHERER 2018/06/29			PSD 000 A		
▽ = 0	0 PLACES ± 0.5		APPR: RSILLER 2019/11/21			SHEET NUMBER		
□ = 0	DRAFT WHERE APPLICABLE MUST REMAIN WITHIN DIMENSIONS		THIRD ANGLE PROJECTION		DRAWING	SERIES	MATERIAL NUMBER	CUSTOMER
▽ = 0			A3-SIZE		120480	SEE TABLE 1	GENERAL MARKET	1 OF 1