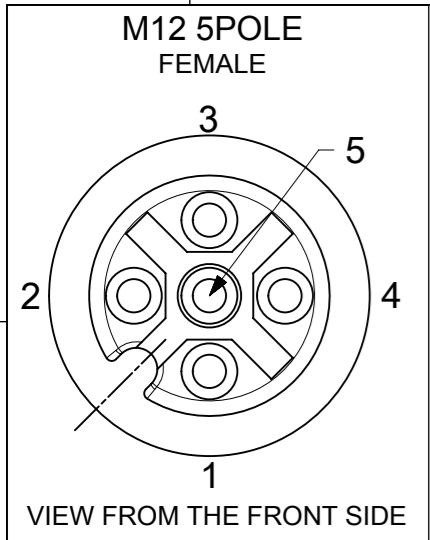
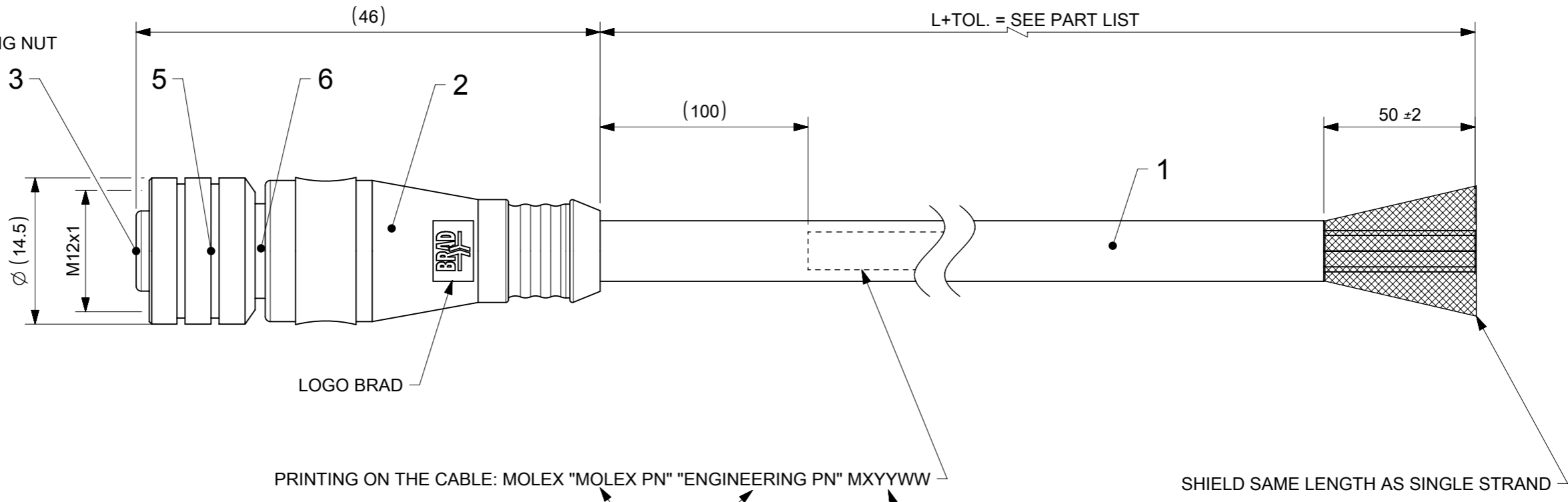
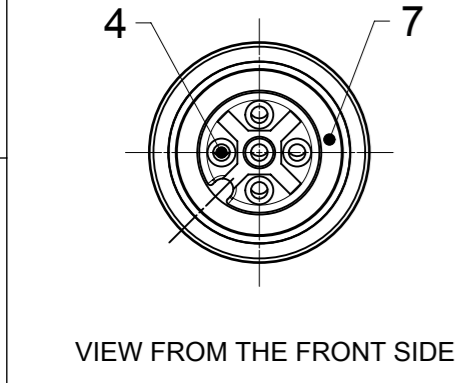


**TECHNICAL SPECIFICATION:**  
 VOLTAGE RATING: 30V AC/DC  
 AMPERAGE RATING: MAX. 3A  
 PROTECTION: IP67  
 OPERATING TEMPERATURE: -10°C TO + 90°C



PIN	WIRE COLOR
1	BROWN
2	WHITE
3	BLUE
4	BLACK
5	GRAY

SHIELD CONNECTED TO THE COUPLING NUT



<b>SYMBOLS</b> DIMENSION UNITS: mm SCALE: 1:1 GENERAL TOLERANCES (UNLESS SPECIFIED): ANGULAR TOL ± 1.0° 4 PLACES ± 3 PLACES ± 2 PLACES ± 1 PLACE ± 0 PLACES ± DRAFT WHERE APPLICABLE MUST REMAIN WITHIN DIMENSIONS THIRD ANGLE PROJECTION DRAWING: A3-SIZE SERIES: 120069	THIS DRAWING CONTAINS INFORMATION THAT IS PROPRIETARY TO MOLEX ELECTRONIC TECHNOLOGIES, LLC AND SHOULD NOT BE USED WITHOUT WRITTEN PERMISSION		CURRENT REV DESC: <b>molex</b> M12 SHIELDED FEMALE STR	
	EC NO: 607550 DRWN: MCELEJEWSKI 2018/11/13 CHK'D: DSTACHOWIAK 2018/11/14 APPR: DSTACHOWIAK 2018/11/14		PRODUCT CUSTOMER DRAWING	
	INITIAL REVISION: DRWN: AKONDRACIUK 2015/08/06 APPR: MIWASIECZKO 2015/09/08		DOCUMENT NUMBER: SD-120069-033	DOC TYPE: PSD DOC PART: 001 REVISION: A1
	MATERIAL NUMBER: SEE PART LIST	CUSTOMER: CUSTOM	SHEET NUMBER: 1 OF 2	

