

CONNECTOR SPECIFICATION:

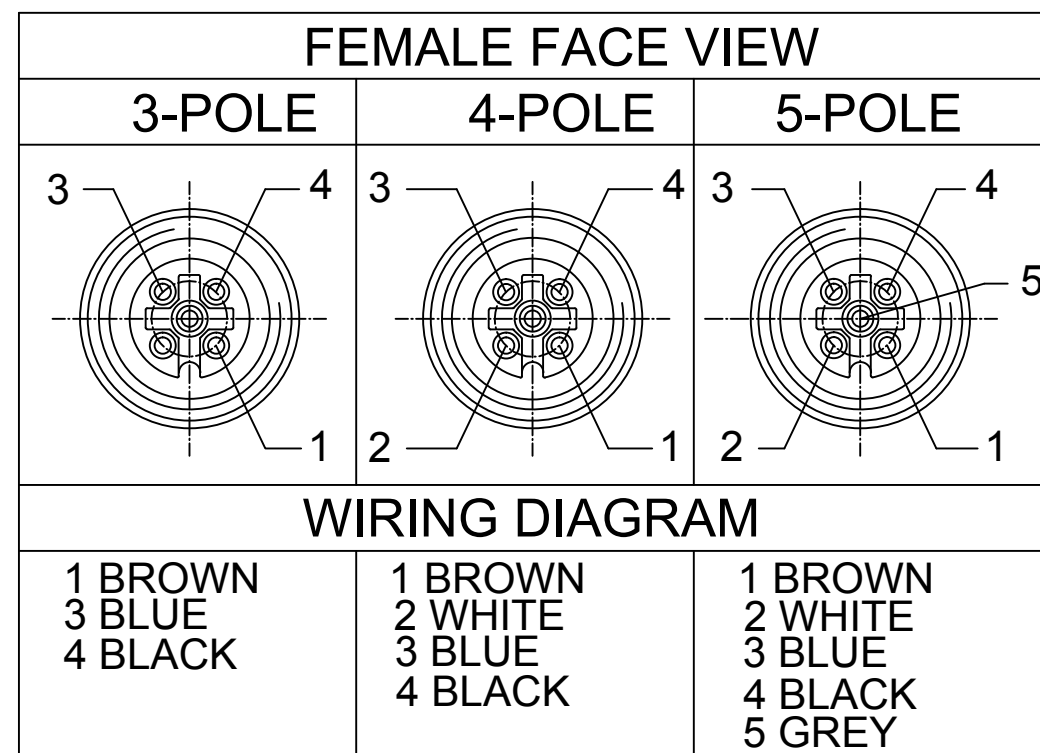
VOLTAGE RATING	250 VAC/VDC
AMPERAGE RATING	max. 4 AMPS
PROTECTION	IP67
OPERATING TEMPERATURE	-20°C TO 105°C
UL CERTIFICATIONS	UL RECOGNIZED, FILE NO. E152210
CSA CERTIFICATIONS	CSA CERTIFIED, FILE NO. LR6837

COMPONENT	MATERIAL	FINISH
INSERT	PUR	BLACK
CONTACT SOCKET	COPPER ALLOY	GOLD OVER NICKEL
O-RING	VITON	RED
COUPLING NUT	BRASS	NICKEL PLATED
OVERMOLD	TPE	YELLOW
CABLE- 22 AWG, (COPPER STRANDING) 3/4/5 CONDUCT. 300V	INSUL: PVC JACKET: TPE	YELLOW
LABEL	MYLAR	BLACK/YELLOW

803000K05M010
 No Pole
 3-5 Pole

cable type
 22 AWG
 PVC YELLOW

cable length
 010----1 Meter
 100----10 Meters



MATERIAL NUMBER	ENGINEERING NUMBER	FINISHED LENGTH
1200652217	803000K05M010	1M +55.6 -0 [3.8' +2.2" -0]
1200651108	803000K05M020	2M +88.9 -0 [6.6' +3.5" -0]
1200651120	804000K05M010	1M +55.6 -0 [3.8' +2.2" -0]
1200651126	804000K05M100	10M +317.5 -0 [32.8' +12.5" -0]
1200651127	804000K05M200	20M +622.3 -0 [65.6' +24.5" -0]

UPDATED FOR NEW PART # EC NO: IPG2014-1065 DRWN: GGUSTAFS CHKD: BARDEN APPR: BWOODMAN 12/5/13 2010/01/25	QUALITY SYMBOLS ▽ = 0 ▽ = 0	GENERAL TOLERANCES (UNLESS SPECIFIED) mm INCH 4 PLACES ±.13 ±.010 3 PLACES ±.25 ±.020 2 PLACES ±.25 ±.020 1 PLACE ±.25 ±.020 ANGULAR ± --- °	DIMENSION STYLE IN/MM DRAWN BY DATE CHECKED BY DATE RE 2010/01/21 APPROVED BY DATE NTAUDIG 2010/01/25	SCALE NTS DESIGN UNITS INCH THIRD ANGLE PROJECTION	MICRO-CHANGE CORDSET 3/4/5-POL FEMALE STR SE 22/3-5 TPE YELLOW CABLE
	DRAFT WHERE APPLICABLE MUST REMAIN WITHIN DIMENSIONS	SEE CHART	MATERIAL NO. DOCUMENT NO. SD-120065-034	SHEET NO. 1 OF 1	
	SIZE A3	THIS DRAWING CONTAINS INFORMATION THAT IS PROPRIETARY TO MOLEX INCORPORATED AND SHOULD NOT BE USED WITHOUT WRITTEN PERMISSION			
	A	MOLEX INCORPORATED			