

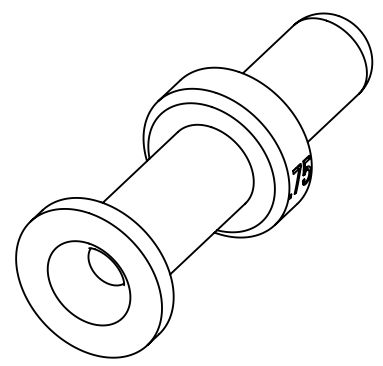
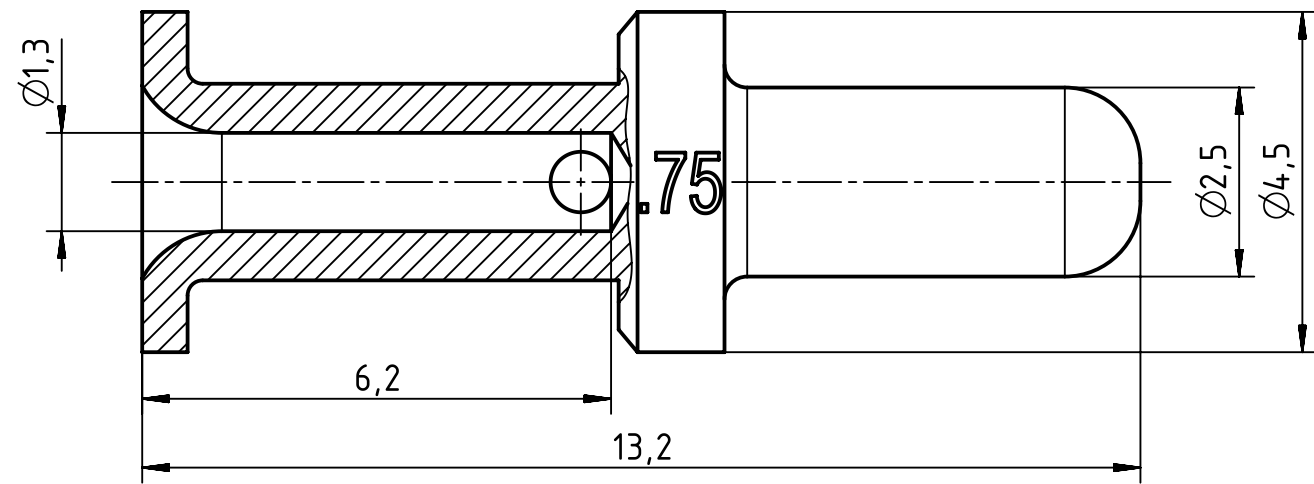
1 2 3 4 5 6

A

B

C

D



wire gauge: 0,75mm² / AWG 18
 stripping length: 6,5mm
 coating: silver plated

	All rights reserved Department EL PD - DE	Created by HOLLERT		Inspected by RIEPE		Standardisation TIEMANNA		Date 2013-11-28		State Final Release	
		Title Han-Yellock Crimp contact male 0.75mm ²								Doc-Key / ECM-Nr. 100177927/UGD/006/B 500000068615	
HARTING Electric GmbH & Co. KG D-32339 Espelkamp		Type TB		Number 11 05 000 6103				Rev. B		Page 1/1	