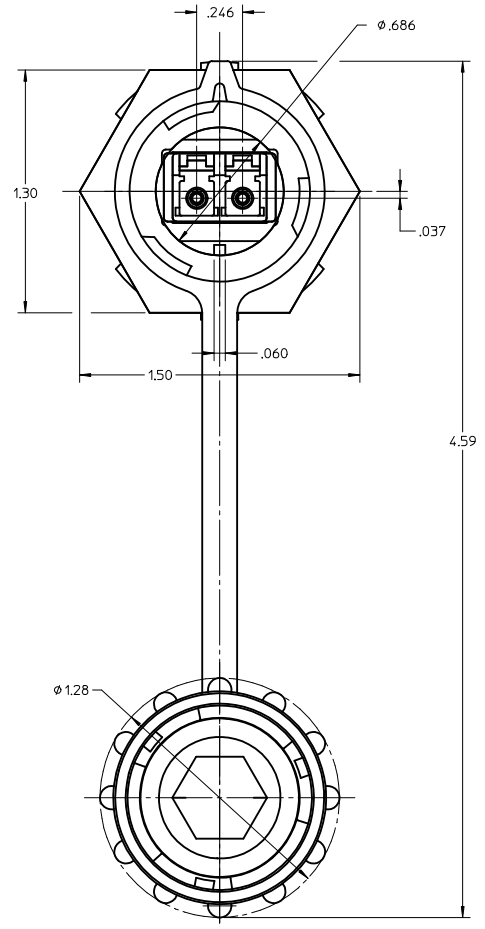
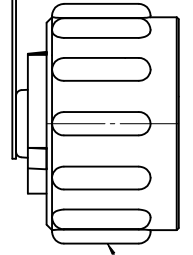
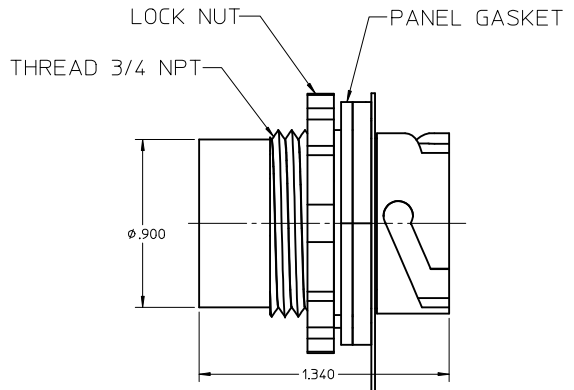
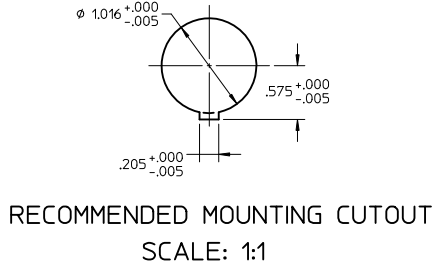
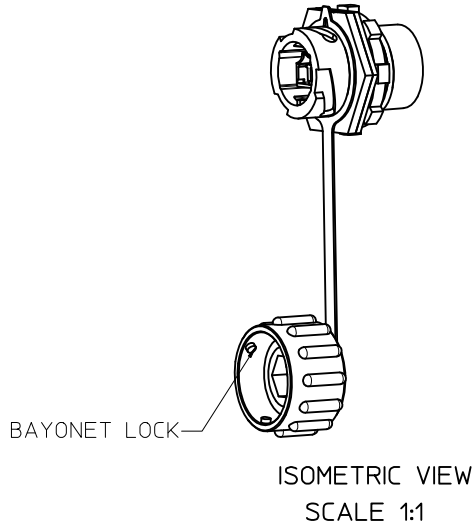


| ADAPTER P/N | LC ADAPTER COLOR | CABLE TYPE  | INDUSTRIAL DUST COVER |
|-------------|------------------|-------------|-----------------------|
| 1060590200  | BEIGE            | MULTIMODE   | YES                   |
| 1060590210  | BLUE             | SINGLE MODE |                       |
| 1060590220  | GREEN            | SINGLE MODE |                       |
| 1060590230  | BEIGE            | MULTIMODE   | NO                    |
| 1060590211  | BLUE             | SINGLE MODE |                       |



NOTE:

- ALL DIMENSIONS ARE FOR REFERENCE ONLY.
- ADAPTER ASSEMBLY AND ITS COMPONENTS ARE COMPLIANT WITH EU DIRECTIVE 2002/95/EC ON THE RESTRICTION OF THE USE OF HAZARDOUS SUBSTANCES IN ELECTRICAL AND ELECTRONIC EQUIPMENT (ROHS).

|   |                 |                                       |                  |                           |   |  |
|---|-----------------|---------------------------------------|------------------|---------------------------|---|--|
| EC NO: MF2010-0222<br>DRWN: YBEDNYAK 2009/11/16<br>CHKD: 2009/11/16<br>APPR: GUMIN 2009/11/17 | QUALITY SYMBOLS | GENERAL TOLERANCES (UNLESS SPECIFIED) | SCALE 2:1        | DESIGN UNITS INCH         | THIRD ANGLE PROJECTION  | REVISE ON CAD ONLY                             |
|   | 0<br>0          | mm                                    | INCH             | DIMENSION STYLE INCH ONLY |   | TITLE<br><b>ADAPTER LC INDUSTRIAL ASSEMBLY</b> |
|   |                 | 4 PLACES ±---                         | ±---             | DRAWN BY                  | DATE  |  |
|   | 0<br>0          | 3 PLACES ±---                         | ±---             | D.B.                      | 2006/6/30   | MOLEX INCORPORATED                             |
| 2 PLACES ±---   |                 | ±---                                  | CHECKED BY       | DATE                      | MATERIAL NO. DOCUMENT NO. SHEET NO.<br>SEE TABLE SD-106059-02X0 1 OF 1  |  |
|   | 1 PLACE ±---    | ±---                                  | APPROVED BY DATE |                           | THIS DRAWING CONTAINS INFORMATION THAT IS PROPRIETARY TO MOLEX INCORPORATED AND SHOULD NOT BE USED WITHOUT WRITTEN PERMISSION |  |
|   |                 | ANGULAR ±1/2°                         | I.G. 2006/6/30   |                           |   |  |
|   |                 | DRAFT WHERE APPLICABLE                |                  |                           |   |  |
|   |                 | MUST REMAIN WITHIN DIMENSIONS         |                  |                           |   |  |