

NOTE:

1. MATERIALS AND FINISHES:
 BODY, OUTER BODY & RING - BRASS, NICKEL PLATING
 INSULATOR - PTFE, NATURAL
 CONTACT PIN - BRASS, GOLD PLATING
 OUT CONTACT - BeCu, GOLD PLATING
 FERRULE - COPPER, NICKEL PLATING
 BALL & SPRING - STAINLESS STEEL, NATURAL

2. ELECTRICAL:
 A. IMPEDANCE: 75 OHM
 B. FREQUENCY RANGE: DC- 2GHz
 C. RETURN LOSS: 20dB @ DC- 1GHz

3. MECHANICAL:
 A. DURABILITY: 500 CYCLES MIN.
 B. TEMPERATURE RANGE: -65°C TO +165°C

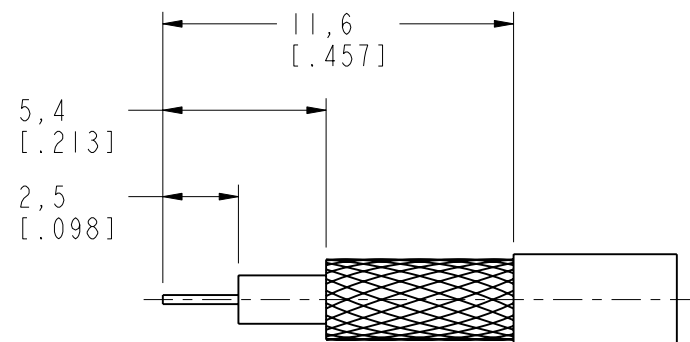
4. CRIMPED FERRULE WITH .151" HEX

5. CONTACT PIN TO SOLDER

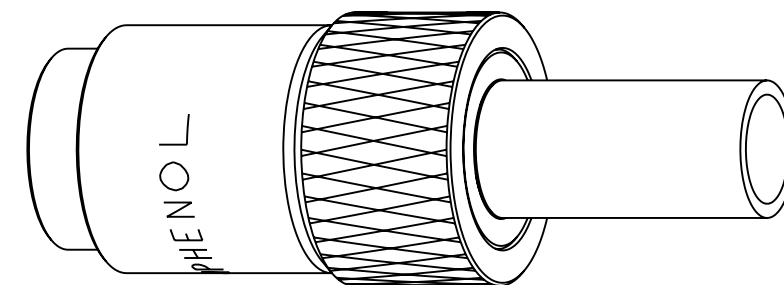
THIRD ANGLE PROJ.

REVISIONS

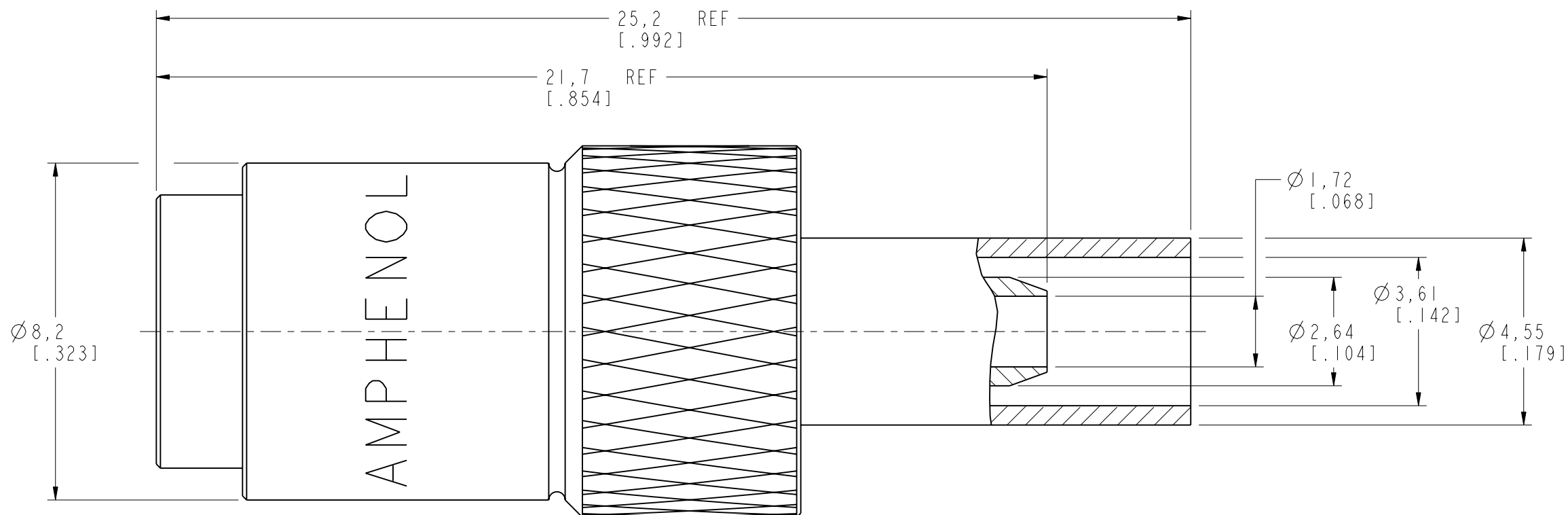
REV	DESCRIPTION	DATE	ECO	APPR
A	RELEASE TO MFG.	30-May-02		TONY
B	SEE SHEET 1 \RD-DM910062801Y	30-Jul-02		TONY
C	SEE SHEET 1 \RD-DM05071501G	16-Jul-05		SH
D	SEE SHEET 1 \RD-DM06032801L	30-Mar-06		SH
E	REDRAWN IN PRO/E, SYNCH THE DRAWING /DMI6102501S7	14-Nov-16	04063	SH



RECOMMENDED
CABLE STRIPPING DIM'S



SCALE 4.000



CUSTOMER OUTLINE DRAWING

ALL OTHER SHEETS ARE FOR INTERNAL USE ONLY

UNLESS OTHERWISE SPECIFIED, DIMENSIONS ARE IN METRIC AND TOLERANCES ARE: <0.5mm ±0.05mm 0.5 - 6mm ±0.1mm 6 - 30mm ±0.2mm 30 - 120mm ±0.3mm ANGLES ±1°	MATERIAL	DRAWN STAR	DATE 14-Nov-16	TITLE 1.0/2.3 PUSH-PULL CRIMP PLUG (FOR RG-179U/D CABLE)	Amphenol RF www.amphenolrf.com
	REFERENCE AND CONFIGURATION LEVEL:	ENGINEER LIGHTER	DATE 30-Mar-06		
NOTICE - These drawings, specifications, or other data (1) are, and remain the property of Amphenol corp. (2) must be returned upon request; and (3) are confidential and not to be disclosed to any person other than those to whom they are given by Amphenol Corp. the furnishing of these drawings, specifications, or other data by Amphenol Corp., or to any other person to anyone for any purpose is not to be regarded by implication or otherwise in any manner licensing, granting rights to permitting such holder or any other person to manufacture, use or sell any product, process or design, patented or otherwise, that may in any way be related to or disclosed by said drawings, specifications, or other data.	FINISH	APPROVED HARRY	DATE 14-Nov-16	SCALE: 8.0:1.0 SHEET 2 OF 2	ITEM NO. 101111AAL18MN7F
			CAD FILE		DWG SIZE B
					PART NO. 102-799-7579DB