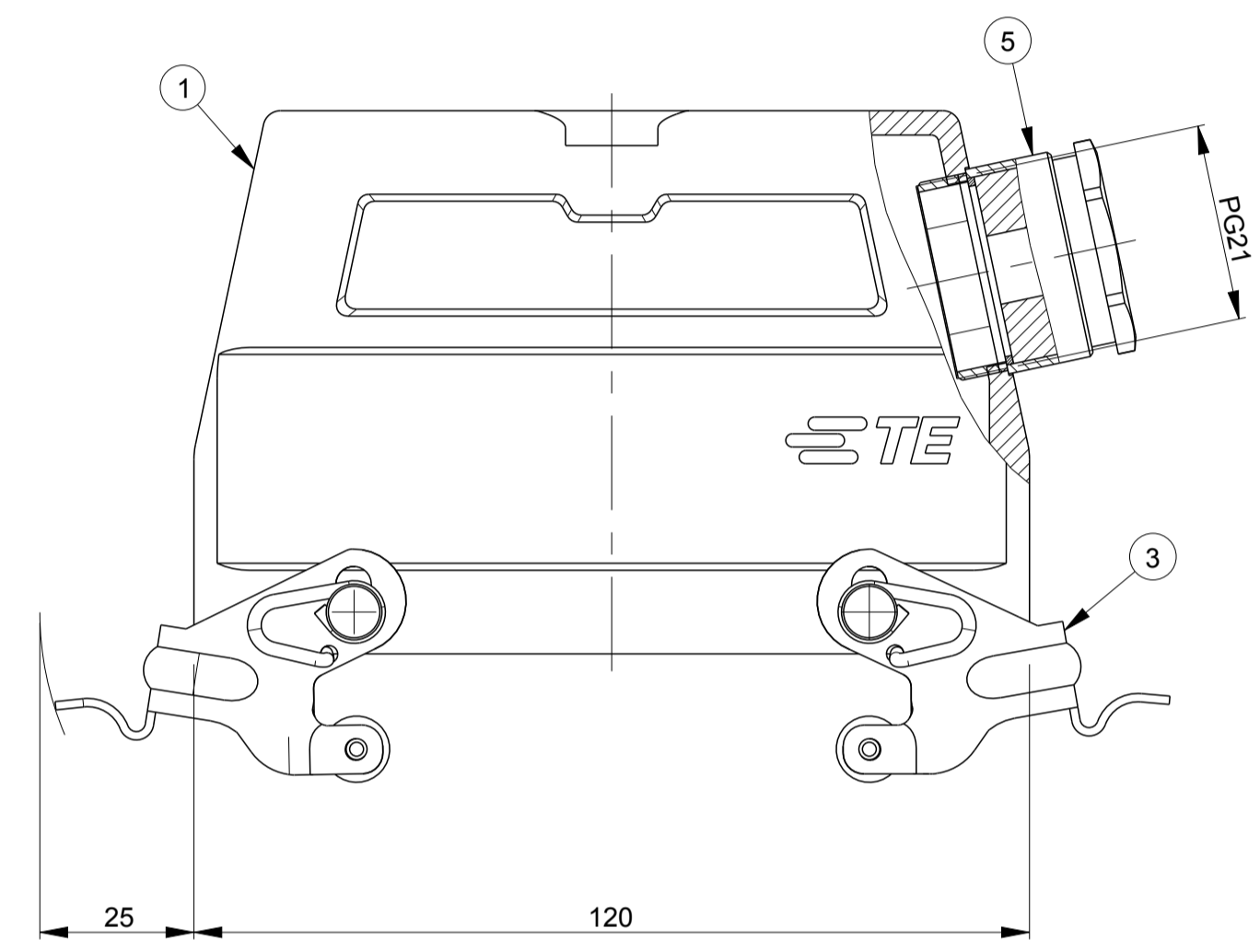
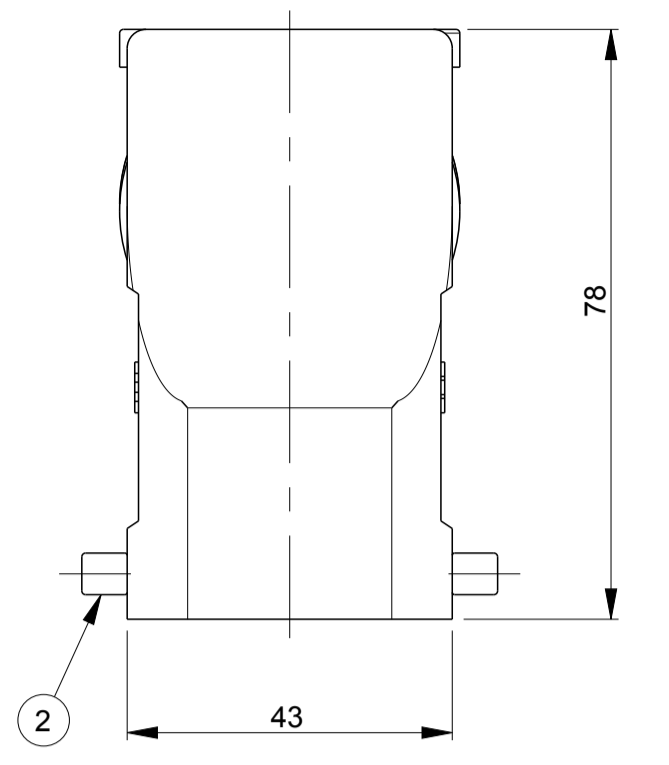
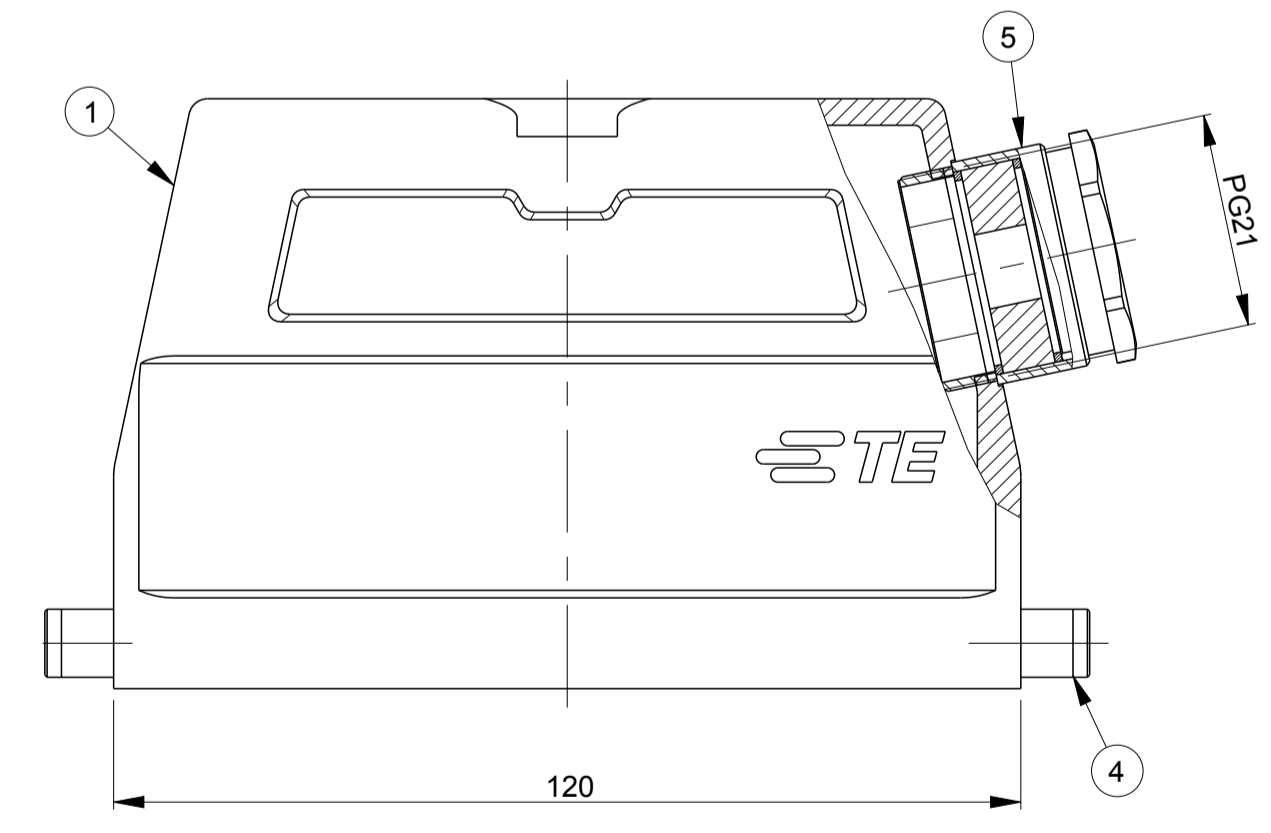
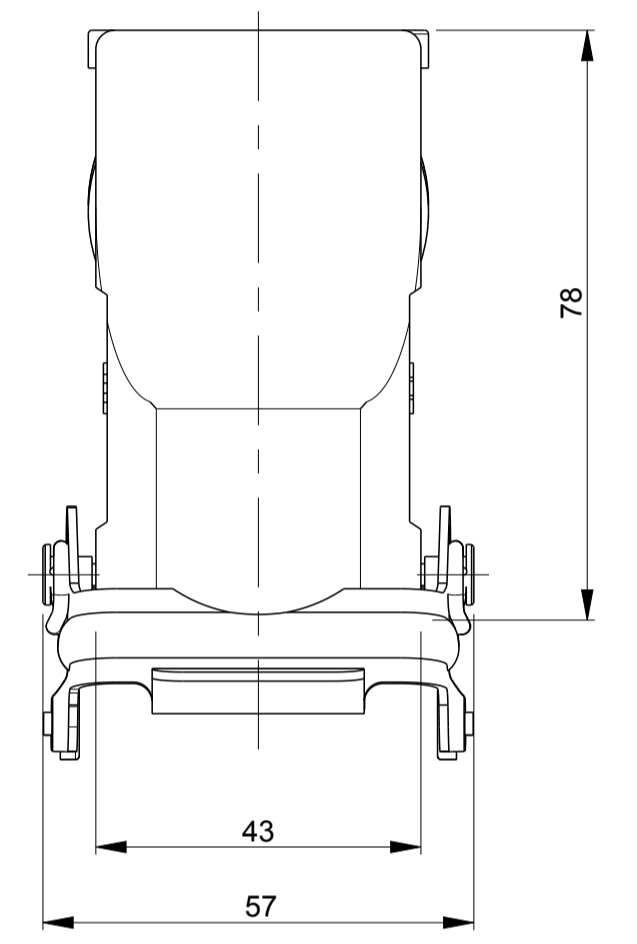


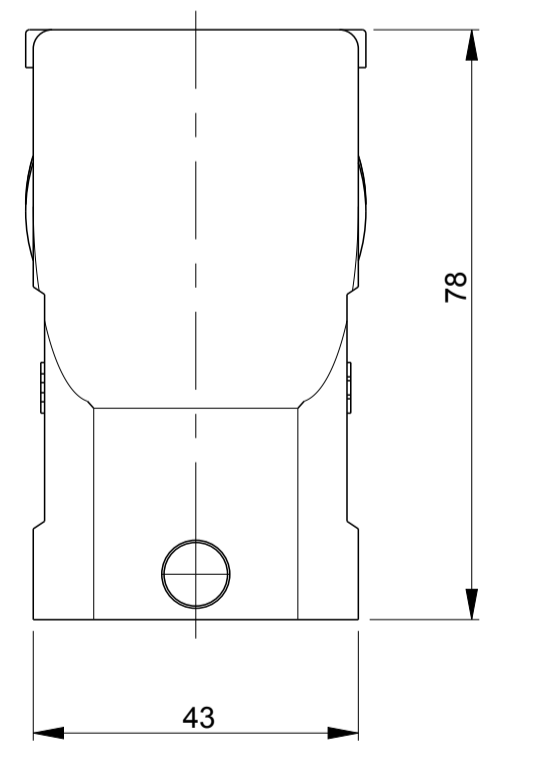
PN 1-6



PN 1-1



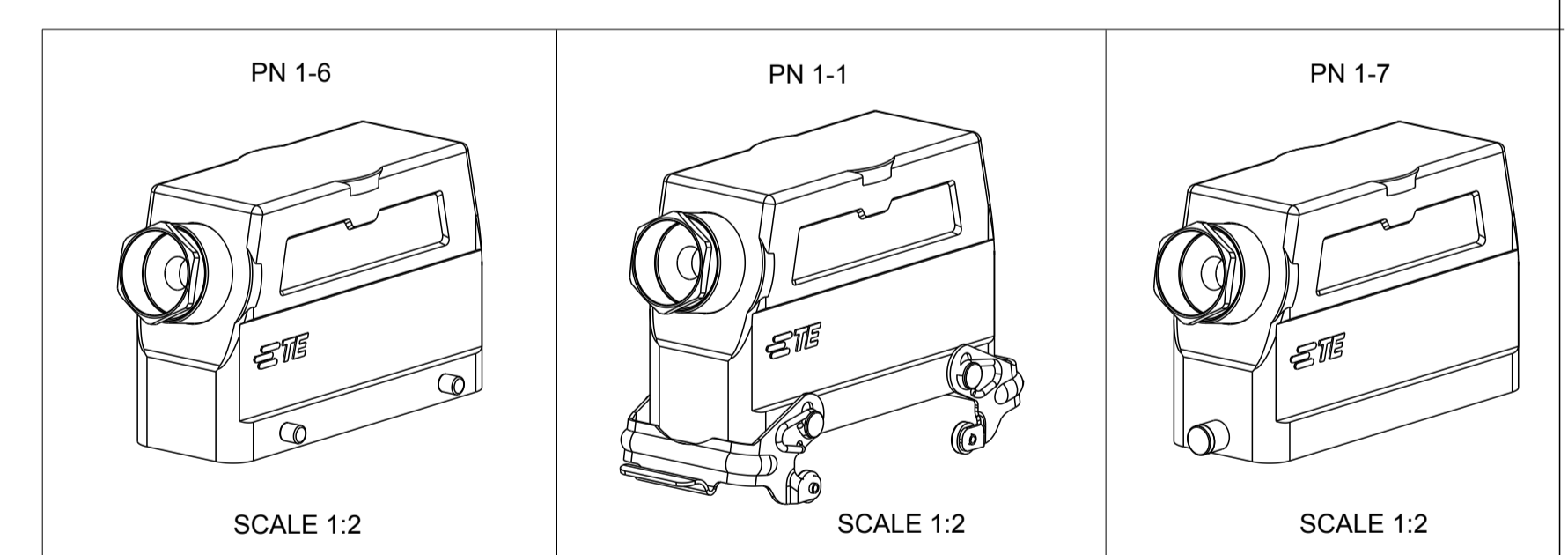
PN 1-7



REVISIONS					
P	LTR	DESCRIPTION	DATE	DWN	APVD
A2		Released as per ECR-07-030424	17.12.07	SP	TS
A3		ECR-16-016780	25SEP2017	GV	MKO

NOTES

- 1 Material:Housing:Aluminium Diecasting Alloy
- 2 Surface:Powder varnish grey
- 3 Varnish on the inside not necessary
- 4 Packaging
Quantity 5 Pieces in a box



QTY	DESCRIPTION	MATERIAL	SURFACE	COLOR	ITEM NO	REMARKS
1	1 Cable connection round	Brass	Nickel plated	Blue	5	PG21
2	2 LB-Clip bolt	Steel	Zinc plated	Blue	4	
2	2 VS-Clip bolt	Steel	Zinc plated	Blue	3	
4	4 VS-Clip bolt	Steel	Zinc plated	Blue	2	
1	1 HD Hood	Aluminium	-	Grey	1	
1:7	1-1 1-6	DESCRIPTION	MATERIAL	SURFACE	COLOR	ITEM NO
ORDERING TEXT						
HD.64.STS.1.21						
HD.64.STS-VS.1.21						
HD.64.STS-GR.1.21						

THIS DRAWING IS A CONTROLLED DOCUMENT.

DWN: Schneider 29.07.2003
 CHK: Schneider 29.07.2003

NAME: HD Hood
 HD.64.STS.1.21

PRODUCT SPEC: -
 APPLICATION SPEC: -

SIZE: A1
 CAGE CODE: 00779
 DRAWING NO: 1103334

RESTRICTED TO: -

CUSTOMER DRAWING

SCALE: 1:1 SHEET 1 OF 1 REV A3