

HEADERS CODINGS

(CODING 2 SHOWN)

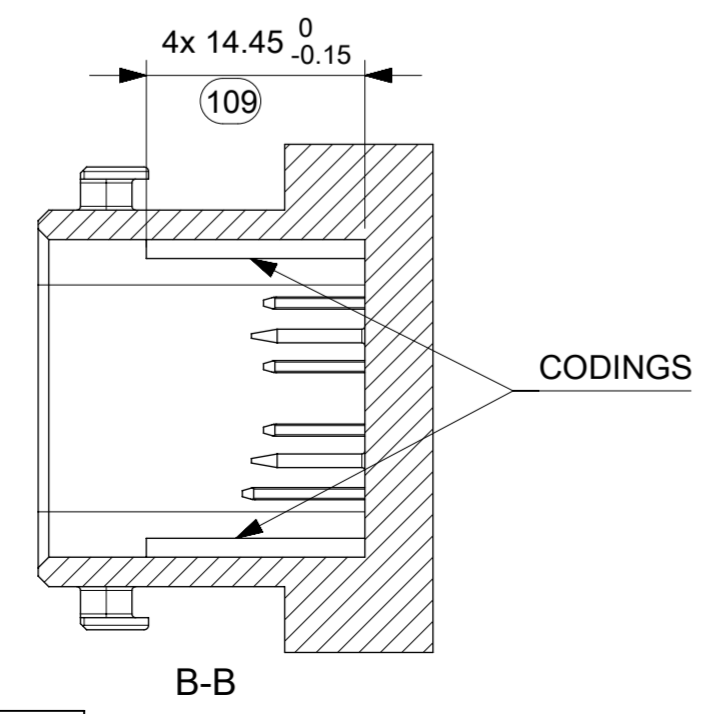
HEADER'S CODINGS FOR MODULE T2 (32W)					
COLOR	CODING	DIM. A	DIM. B	DIM. C	DIM. D
BLACK	1	9.1	4.3	5.9	4.3
GREY	2	7.5	5.9	9.1	5.9
BROWN	3	5.9	7.5	9.1	9.1
GREEN	4	7.5	9.1	4.3	4.3
BLUE	5	4.3	7.5	5.9	5.9
YELLOW	6	9.1	7.5	4.3	7.5

(CODING 3 SHOWN)

HEADER'S CODINGS FOR MODULE T3 (48W)					
COLOR	CODING	DIM. A	DIM. B	DIM. C	DIM. D
BLACK	1	12.9	6.3	8.5	6.3
GREY	2	10.7	8.5	12.9	8.5
BROWN	3	8.5	10.7	12.9	12.9
GREEN	4	10.7	12.9	6.3	6.3
BLUE	5	6.3	10.7	8.5	8.5
YELLOW	6	12.9	10.7	6.3	10.7

NOTE:

- 1- INTERFACE DEFINITION BASED ON NFR13-462 STANDARD.
- 2- HEADER: ELASTICITY MODULUS: 8000Mpa min. (INITIAL CONDITION BEFORE AGEING)



THIS DRAWING CONTAINS INFORMATION THAT IS PROPRIETARY TO MOLEX ELECTRONIC TECHNOLOGIES, LLC AND SHOULD NOT BE USED WITHOUT WRITTEN PERMISSION

DIMENSION UNITS mm	SCALE 2:1	CURRENT REV DESC: NX RE-MASTERING	
GENERAL TOLERANCES (UNLESS SPECIFIED)		EC NO: 603689	
ANGULAR TOL	± 2.0°	DRWN: SLAFAURE	2018/07/17
4 PLACES	± 0.10	CHK'D: OPLESSIS	2018/08/31
3 PLACES	± 0.10	APPR: SLAFAURE	2018/09/03
2 PLACES	± 0.10	INITIAL REVISION:	
1 PLACE	± 0.10	DRWN: G.DESBRUERES	2008/10/02
0 PLACES	±	APPR: OPLESSIS	2008/10/06
DRAFT WHERE APPLICABLE MUST REMAIN WITHIN DIMENSIONS	FIRST ANGLE PROJECTION	DRAWING A2-SIZE	SERIES 98644

32 & 48CKT CMC INTERFACE

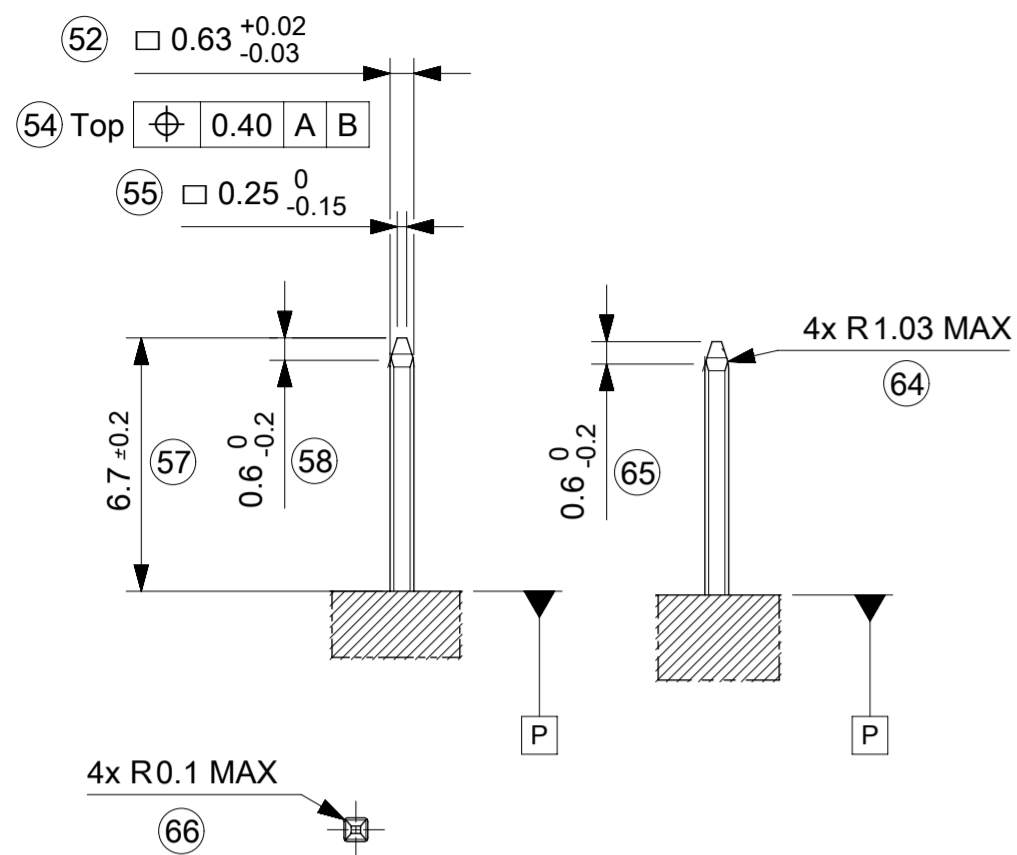
PRODUCT CUSTOMER DRAWING

DOCUMENT NUMBER	DOC TYPE	DOC PART	REVISION
SD-98644-006	PSD	001	B1

MATERIAL NUMBER	CUSTOMER	SHEET NUMBER
N/A	GENERAL MARKET	1 OF 3

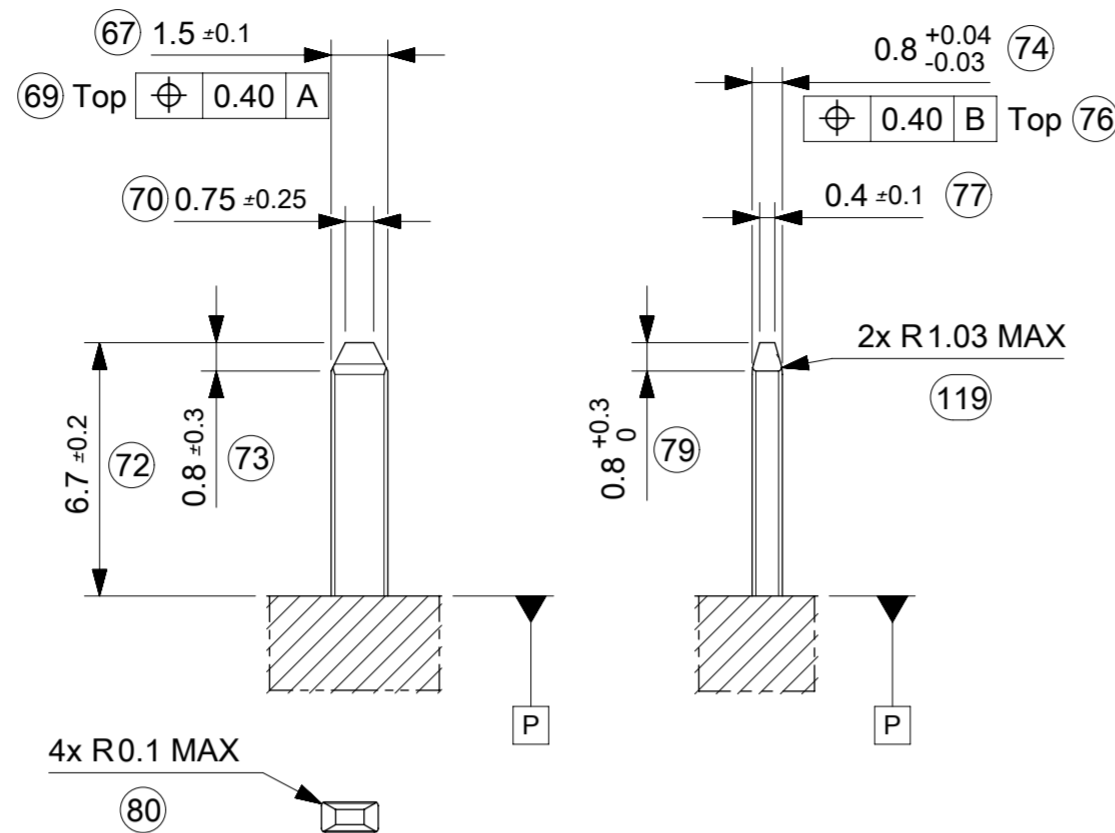
PINS 0.635 DEFINITION

5:1



TABS 1.5 DEFINITION

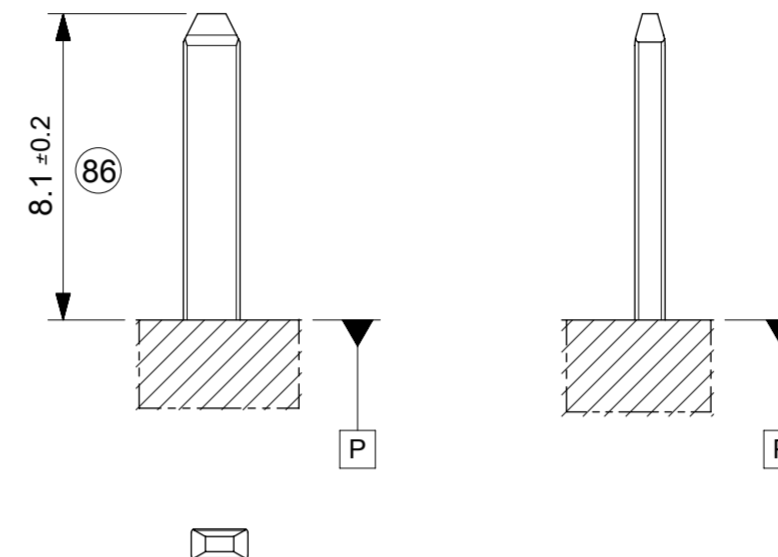
5:1



GROUND TABS 1.5 DEFINITION

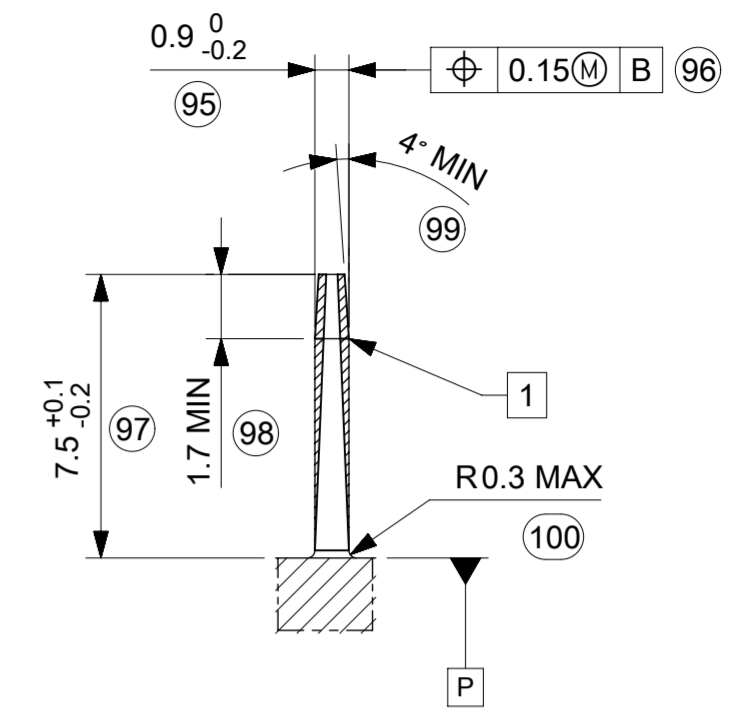
5:1

FOR OTHER DIMENSIONS
SEE TABS 1.5 DEFINITION



PROTECTION WALL DEFINITION

5:1

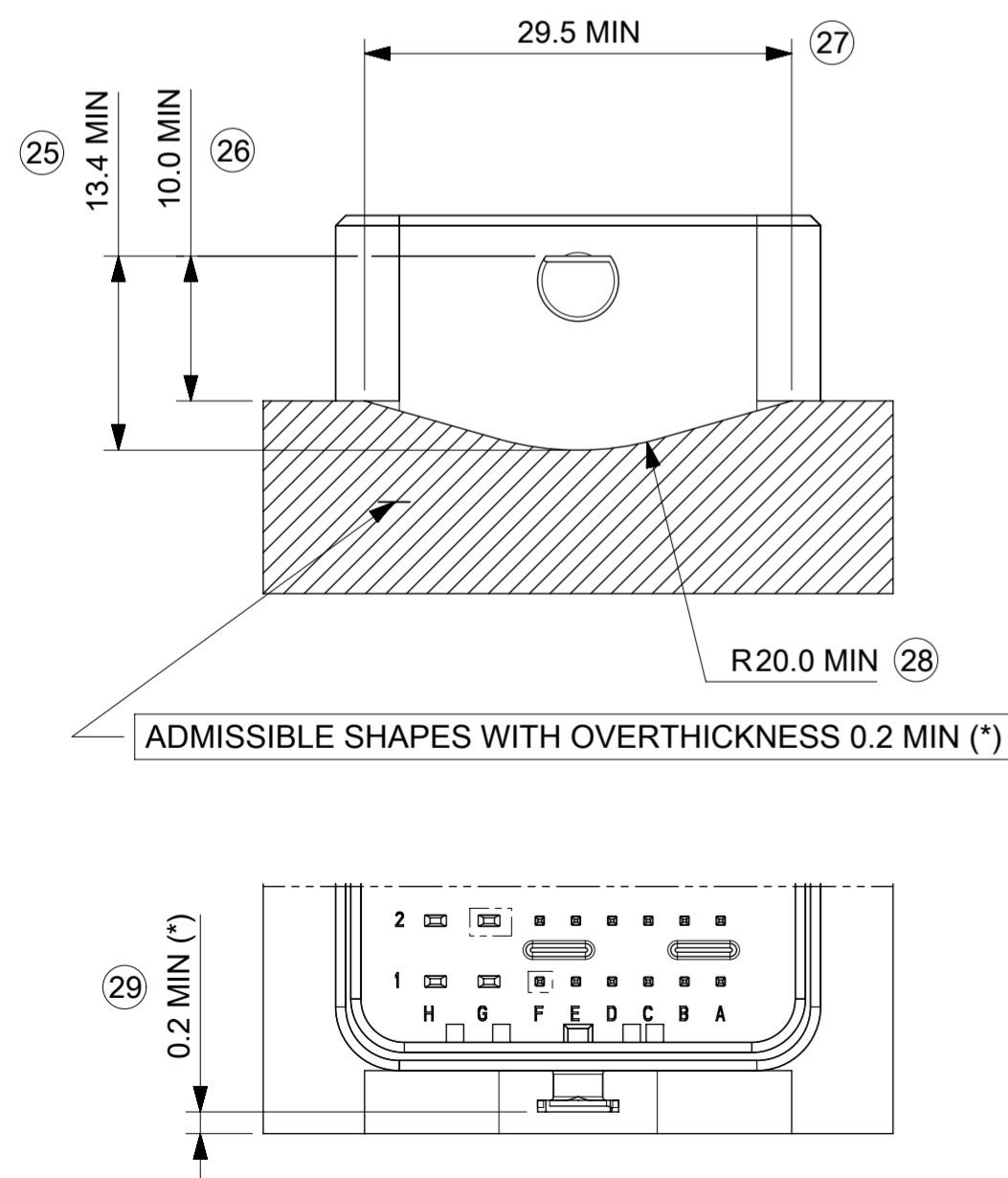


1 : SHAPES ALLOWED

LOCKING AXIS PROTECTION

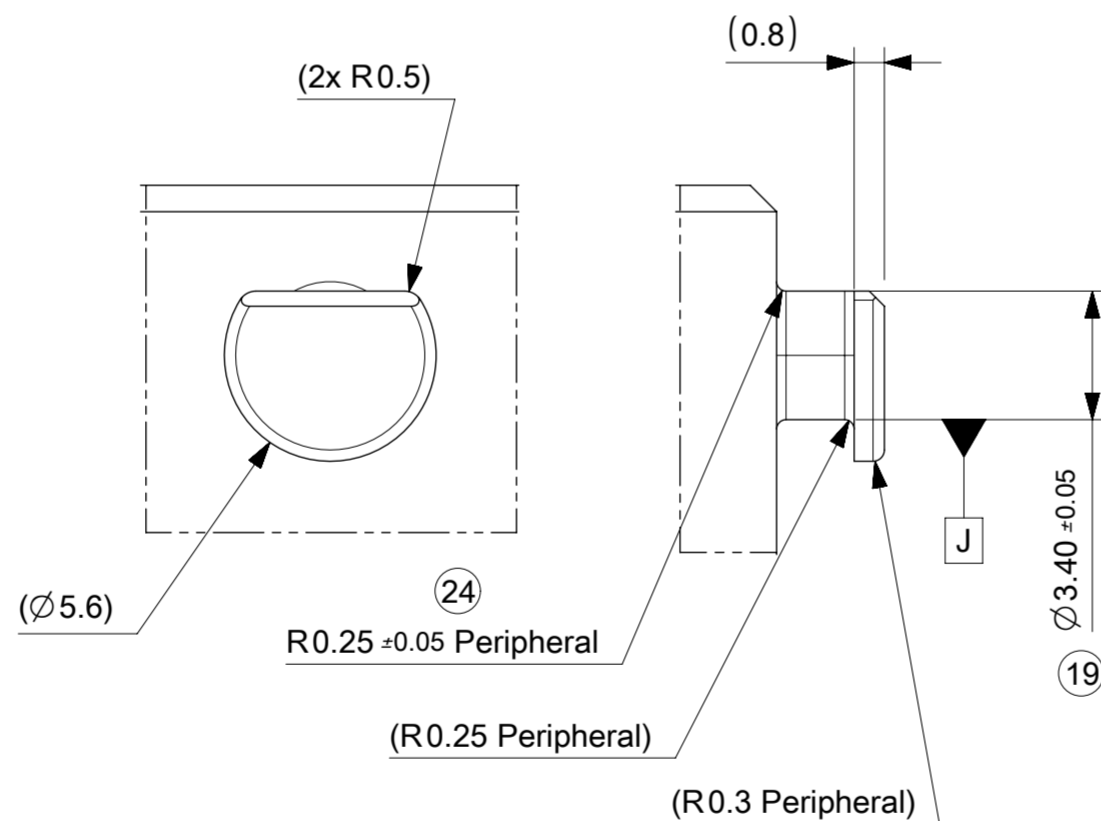
5:1

MANDATORY OVERTHICKNESS: dimension noted (*)
IF THE LOCKING AXIS ARE OUT OF
EQUIPMENT OVERALL DIMENSIONS.



LOCKING AXIS DEFINITION

5:1

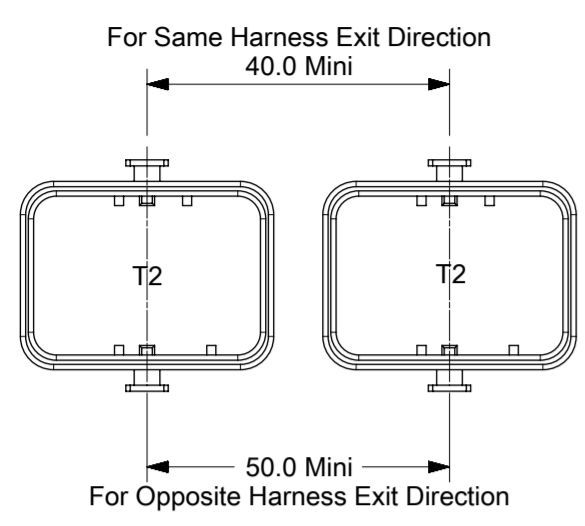


THIS DRAWING CONTAINS INFORMATION THAT IS PROPRIETARY TO MOLEX ELECTRONIC TECHNOLOGIES, LLC AND SHOULD NOT BE USED WITHOUT WRITTEN PERMISSION

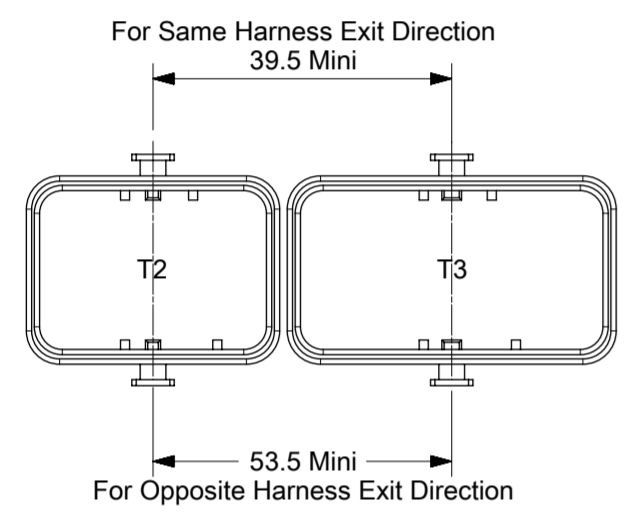
DIMENSION UNITS mm	SCALE 1:1	CURRENT REV DESC: NX RE-MASTERING		molex		
GENERAL TOLERANCES (UNLESS SPECIFIED)		EC NO: 603689				
ANGULAR TOL ± 2.0°	4 PLACES ± 0.1	DRWN: GMANIVANNAN	2018/07/17	PRODUCT CUSTOMER DRAWING		
3 PLACES ± 0.1	2 PLACES ± 0.1	CHK'D: OPLESSIS	2018/08/31	DOCUMENT NUMBER		
1 PLACE ± 0.1	0 PLACES ±	APPR: SLAFAURE	2018/09/03	SD-98644-006		
DRAFT WHERE APPLICABLE MUST REMAIN WITHIN DIMENSIONS	FIRST ANGLE PROJECTION	INITIAL REVISION:	DRWN: GDESBRUERES	2008/10/02	DOC TYPE	DOC PART
		APPR: OPLESSIS	2008/10/06	PSD	001	REVISION
						B1
				MATERIAL NUMBER	CUSTOMER	SHEET NUMBER
				N/A	GENERAL MARKET	2 OF 3

DOCUMENT STATUS	P1	RELEASE DATE	2018/09/03	08:17:38
-----------------	----	--------------	------------	----------

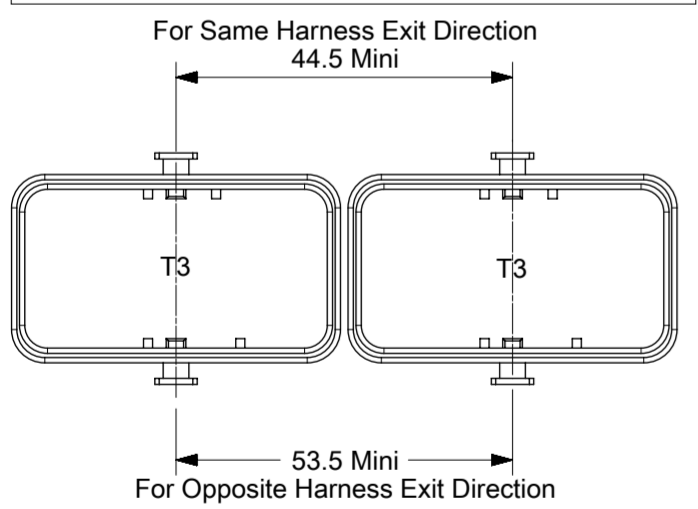
LAYOUT FOR TWO INTERFACES T2 (32W)



LAYOUT FOR TWO INTERFACES T2 (32W) AND T3 (48W)



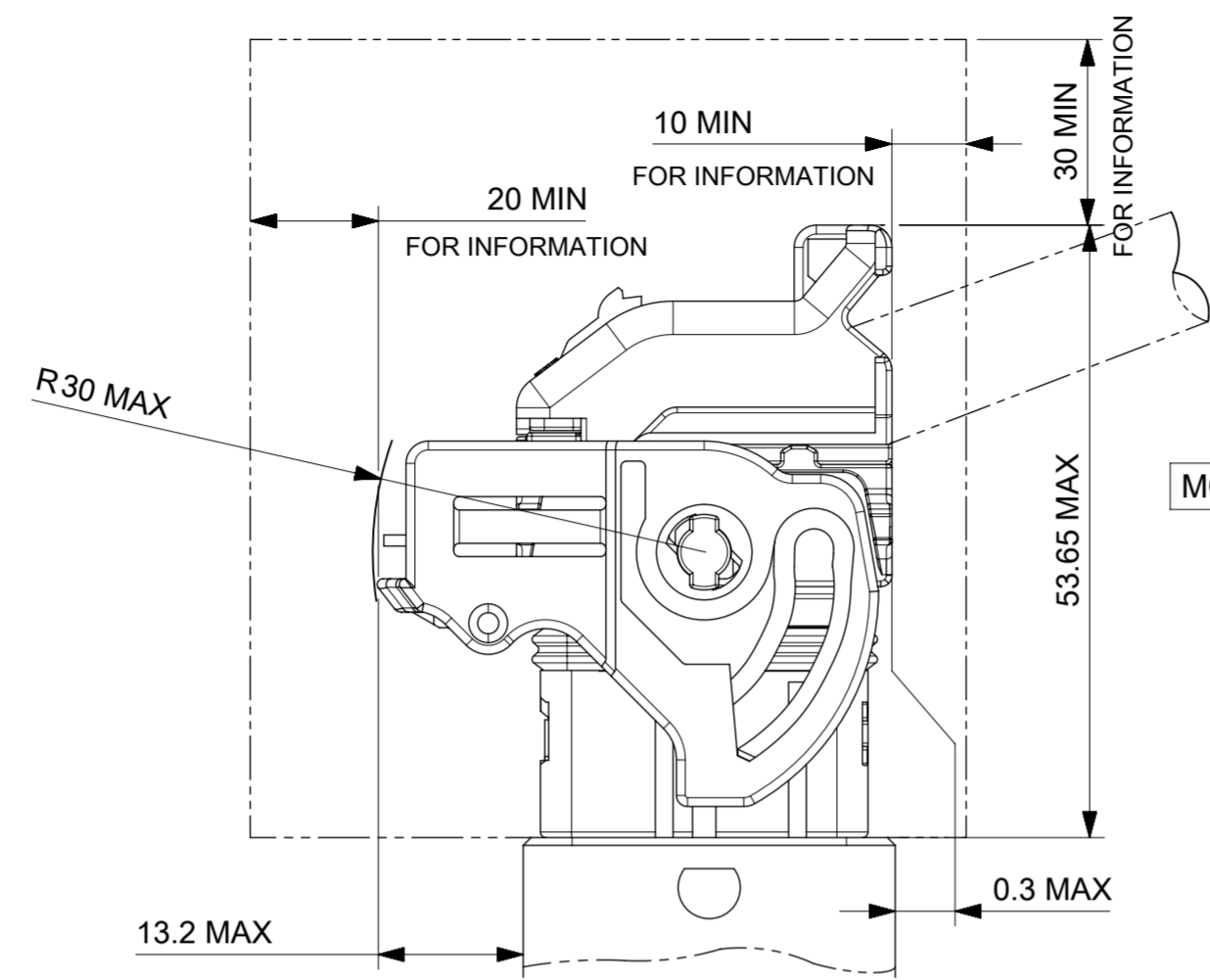
LAYOUT FOR TWO INTERFACES T3 (48W)



MULTI - HEADERS LAYOUT

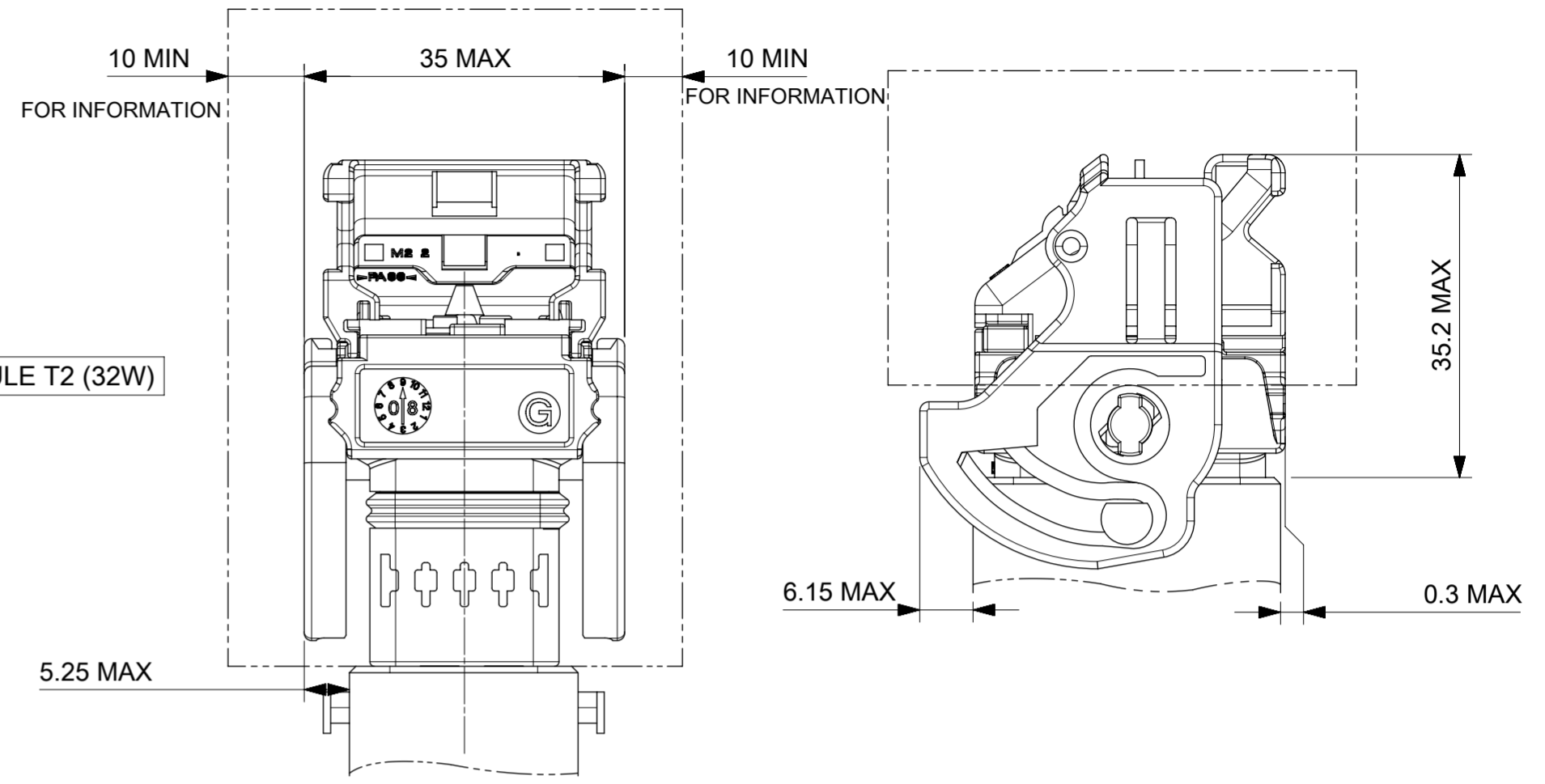
CONNECTOR ON HEADER - OVERALL DIMENSIONS

UNLOCKED CONNECTOR - OVERALL DIMENSIONS

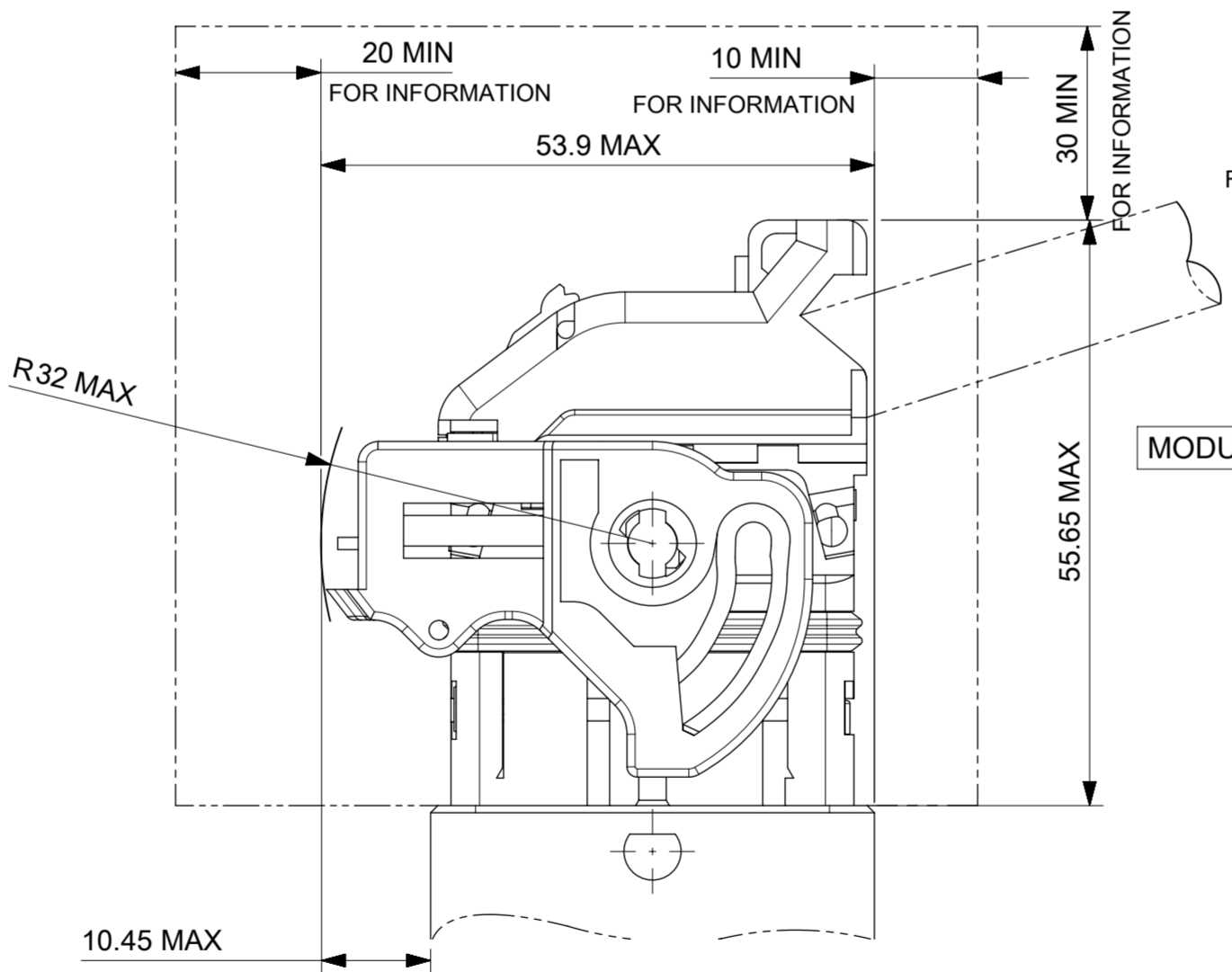


MODULE T2 (32W)

LOCKED CONNECTOR - OVERALL DIMENSIONS

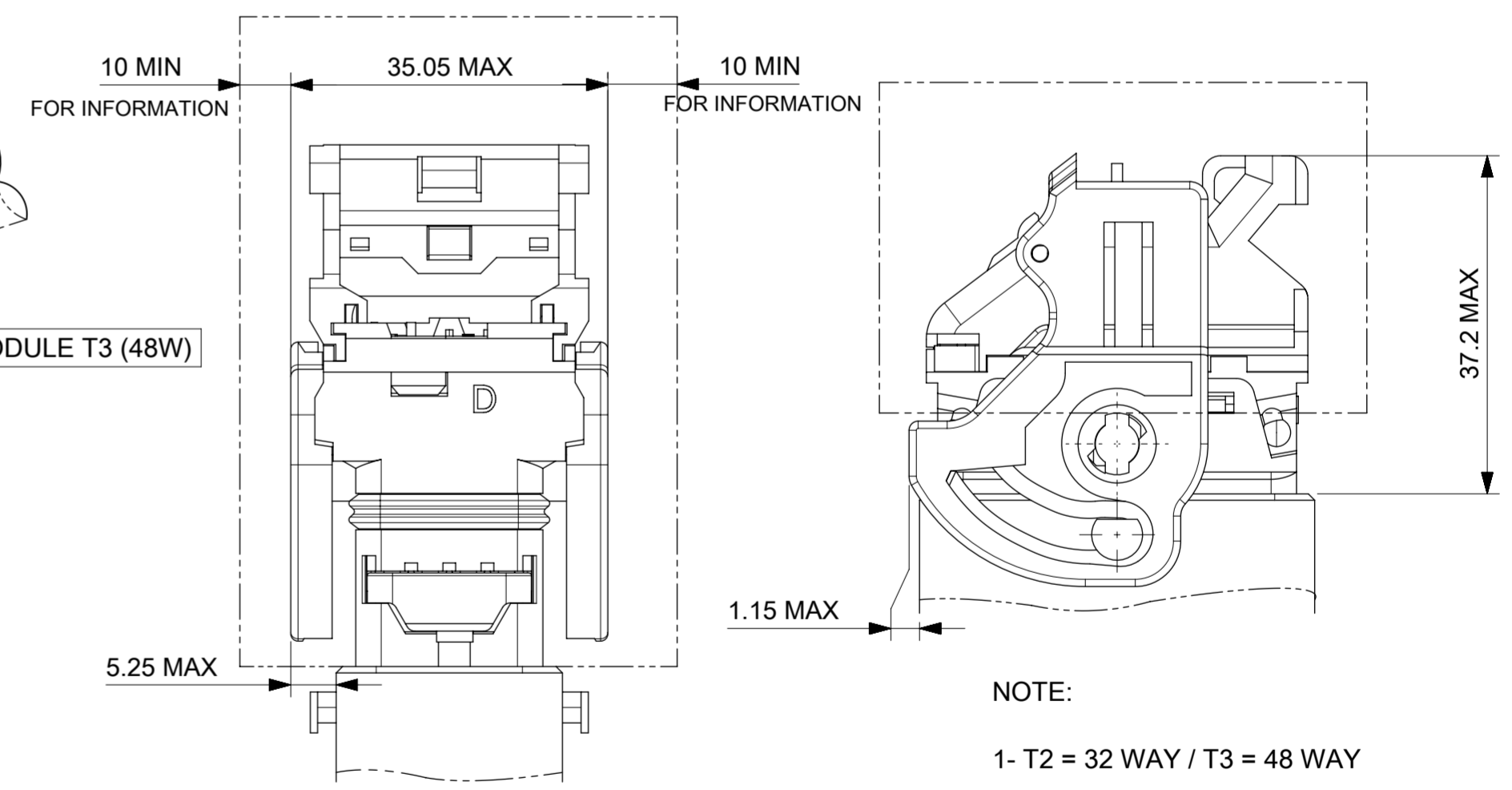


UNLOCKED CONNECTOR - OVERALL DIMENSIONS

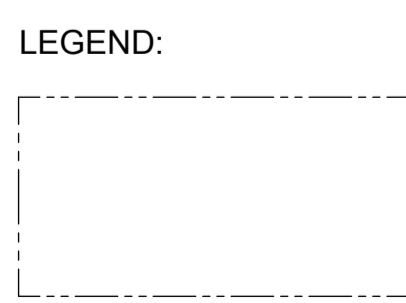


MODULE T3 (48W)

LOCKED CONNECTOR - OVERALL DIMENSIONS



NOTE:
1- T2 = 32 WAY / T3 = 48 WAY

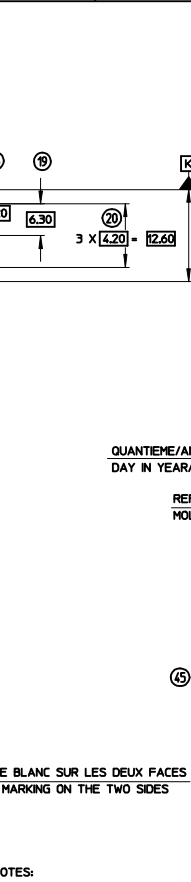
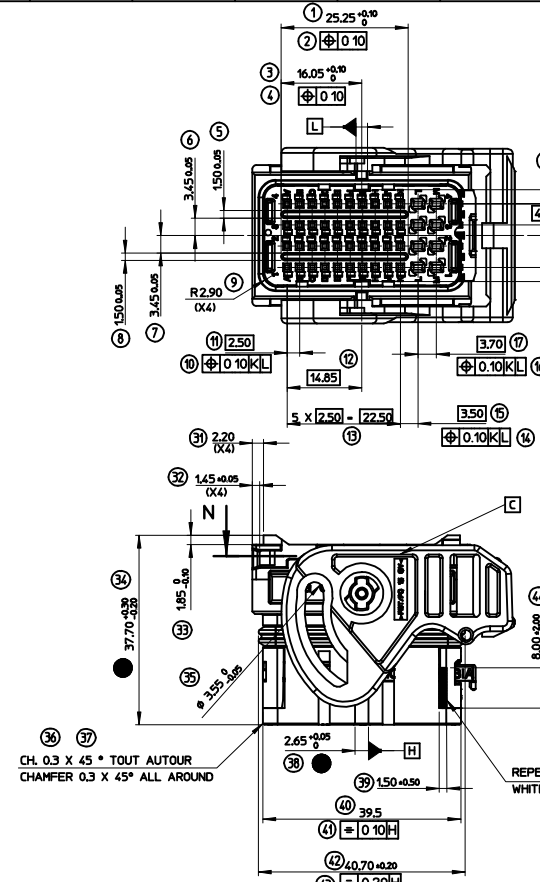
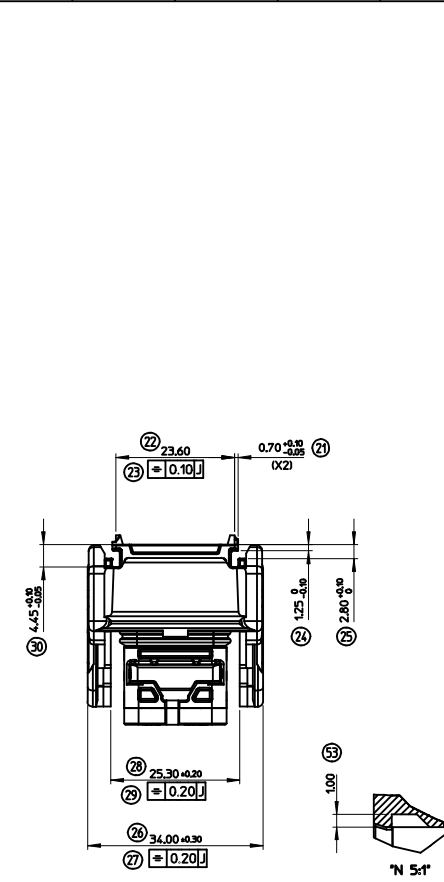


LEGEND:
FREE VOLUME FOR MANUAL LOCKING AND UNLOCKING
DIMENSIONS GIVEN FOR INFORMATION ONLY BE
CONFIRMED BASED UPON VEHICLE CONFIGURATION.

THIS DRAWING CONTAINS INFORMATION THAT IS PROPRIETARY TO MOLEX ELECTRONIC TECHNOLOGIES, LLC AND SHOULD NOT BE USED WITHOUT WRITTEN PERMISSION

DIMENSION UNITS	SCALE	CURRENT REV DESC: NX RE-MASTERING	
mm	1:1		
GENERAL TOLERANCES (UNLESS SPECIFIED)			
ANGULAR TOL	± 2.0°	EC NO:	603689
4 PLACES	± 0.1	DRWN:	SLAFAURE 2018/07/17
3 PLACES	± 0.1	CHK'D:	OPLESSIS 2018/08/31
2 PLACES	± 0.1	APPR:	SLAFAURE 2018/09/03
1 PLACE	± 0.1	INITIAL REVISION:	
0 PLACES	±	DRWN:	GDESBRUERES 2008/10/02
		APPR:	OPLESSIS 2008/10/06
DRAFT WHERE APPLICABLE MUST REMAIN WITHIN DIMENSIONS	FIRST ANGLE PROJECTION	DRAWING	SERIES
		A2-SIZE	98644

molex			
32 & 48CKT CMC INTERFACE			
PRODUCT CUSTOMER DRAWING			
DOCUMENT NUMBER	DOC TYPE	DOC PART	REVISION
SD-98644-006	PSD	001	B1
MATERIAL NUMBER	CUSTOMER	SHEET NUMBER	
N/A	GENERAL MARKET	3 OF 3	

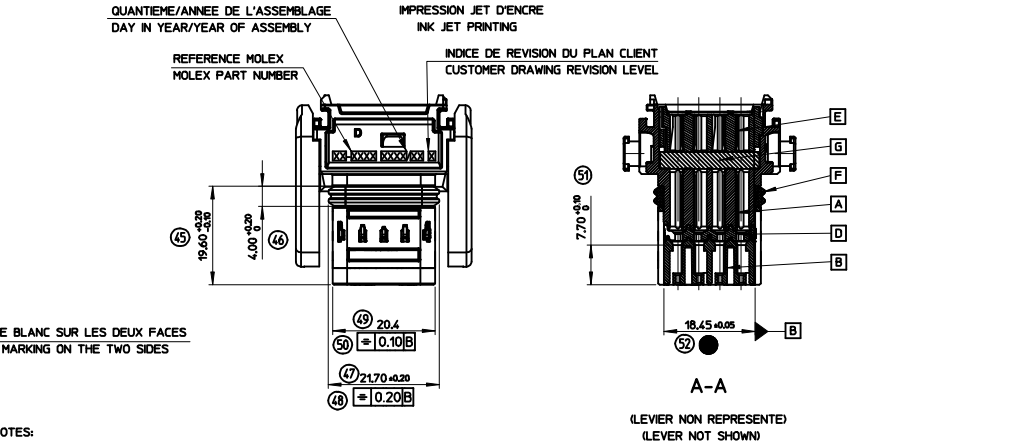
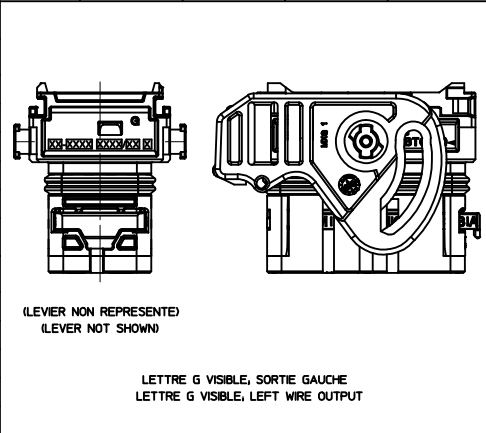


PORTE-CLIPS 48 VOIES SORTIE DROITE
FEMALE MODULE 48 WAY RIGHT WIRE OUTPUT

REF. MOLEX MOLEX PART NUMBER	COULEUR/COULEUR
0989502001	NOIR/BLACK
0989502002	GRIS/GREY
0989502003	MARRON/BROWN
0989502004	VERT/GREEN
0989502005	BLEU/BLUE

PORTE-CLIPS 48 VOIES SORTIE GAUCHE
FEMALE MODULE 48 WAY LEFT WIRE OUTPUT

REF. MOLEX MOLEX PART NUMBER	COULEUR/COULEUR
0989503001	NOIR/BLACK
0989503002	GRIS/GREY
0989503003	MARRON/BROWN
0989503004	VERT/GREEN
0989503005	BLEU/BLUE

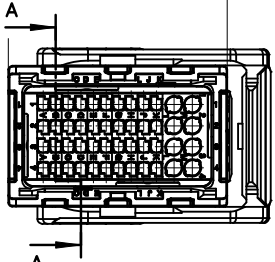


CH. 0.3 X 45 * TOUT AROUND
 CHAMFER 0.3 X 45° ALL AROUND

REPERE BLANC SUR LES DEUX FACES
 WHITE MARKING ON THE TWO SIDES

- NOTES:
- 1- LE PORTE-CLIPS ASSEMBLE REPRESENTE EST LA VERSION SORTIE DROITE CODAGE 1 FOR ILLUSTRATION PURPOSE THE FEMALE MODULE SHOWN IS THE RIGHT WIRE OUTPUT VERSION CODING 1
 - 2- IMPLANTATION DES CLIPS, ENCOMBREMENTS, DETROPPAGE SUIVANT INTERFACE CONNECTIQUE PSA STE 9629500099 ET RENAULT 7710 001 079 CLIPS LAYOUT, CODING FOLLOWING PSA INTERFACE CONNECTIQUE STE 9629500099 AND RENAULT 7710 001 079
 - 3- REFERENCE DES CONNEXIONS SUIVANT STE 9637276380 ET STE 9628421380 TERMINAL PART NUMBER FOLLOWING STE 9637276380 AND STE 9628421380
 - 4- PRODUIT CONFORME A LA SPECIFICATION PSA STE 9629568099 PRODUCT IN ACCORDANCE WITH PSA SPECIFICATION STE 9629568099
 - 5- CAHIER DE PRECONISATION : RAS-98644-005 APPLICATION SPECIFICATION : RAS-98644-005
 - 6- LE PORTE-CLIPS EQUIPE S'ASSEMBLE AVEC LE CAPOT REFERENCE : 0986551003 THE ASSEMBLED FEMALE MODULE IS ASSEMBLED WITH THE COVER PART NUMBER : 0986551003
 - 7- POIDS PIECE: 36,080 g PART WEIGHT: 36,080 g

0986570002	G	JOINT GEL GROMMET GEL GROMMET SEAL	SILICONE	BLEU/BLUE
0986560002	F	JOINT INTERFACIAL PERIMETER SEAL	SILICONE	ROUGE/RED
0986541001	E	GRILLE DE COMPRESSION REAR SEAL COVER	PBTP 20% GF.	BLEU/BLUE
0986531001	D	DOUBLE VERROUILLAGE SECONDARY LOCKING	PBTP 30% GF.	GRIS/GREY
0986521001	C	LEVIER/LEVER	PBT+PC-GF 15%	GRIS/GREY
0986511005	B	BOITIER INFERIEUR BOTTOM HOUSING	PBTP 20% GF.	BLEU/BLUE
0986511004				VERT/GREEN
0986511003				MARRON/BROWN
0986511002				GRIS/GREY
0986511001	A	BOITIER SUPERIEUR TOP HOUSING	PBTP 20% GF.	NOIR/BLACK
REF. MOLEX MOLEX PART NUMBER	REP.	DESIGNATION	MATIERE/MATERIAL	COULEUR/COULEUR

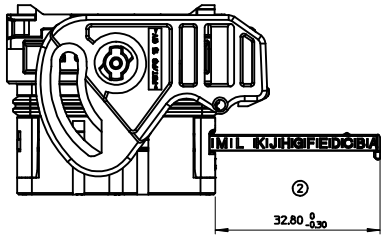
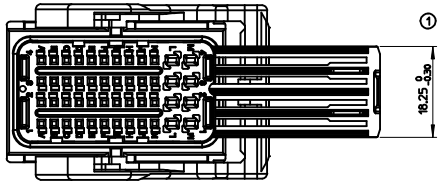


- INDICATION DIMENSIONS S.P.C DENOTES S.P.C DIMENSIONS
- INDICATION DIMENSIONS CRITIQUE DENOTES CRITICAL DIMENSIONS
- INDICATION DIMENSIONS FONCTIONNELLES DENOTES FUNCTIONAL DIMENSIONS
- QUANTITE PAR FEUILLE INDIVIDUELLE QUANTITY PER INDIVIDUAL SHEET

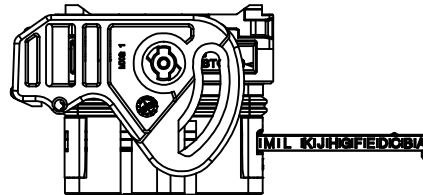
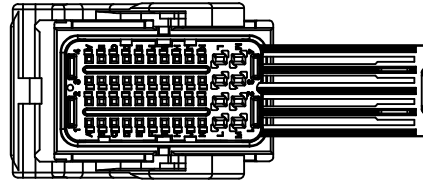
EC. NO: G2009-0313 DRW: PGRANDLZ09/06/18 CHKD: PDECHELEZ09/06/18 APPR: CBOUCHANZ09/06/18	GENERAL TOLERANCES (UNLESS SPECIFIED)	SCALE 2:1	DESIGN UNITS METRIC	FIRST ANGLE PROJECTION	REVISE ON CAD ONLY
	4 PLACES ± --- ± --- 3 PLACES ± --- ± --- 2 PLACES ± 0.10 ± --- 1 PLACE ± 0.15 ± --- ANGULAR ± 1°	DIMENSION STYLE MM ONLY	DRAWN BY DATE 98/12/13 CHECKED BY DATE PDE 00/02/02	TITLE PORTE-CLIPS 48 VOIES CMC FEMALE MODULE CMC 48 WAY SALES DRAWING	MOLEX
DRAFT WHERE APPLICABLE MUST REMAIN WITHIN DIMENSIONS	APPROVED BY DATE CBO 00/02/02	THIS DRAWING CONTAINS INFORMATION THAT IS PROPRIETARY TO MOLEX INCORPORATED AND SHOULD NOT BE USED WITHOUT WRITTEN PERMISSION			

ENCOMBREMENT PORTE-CLIPS D.V. POSITION MONTAGE CLIP
FEMALE MODULE LAYOUT SECONDARY LOCKING POSITION FOR CLIP ASSEMBLY

PORTE-CLIPS SORTIE DROITE
FEMALE MODULE RIGHT WIRE OUTPUT

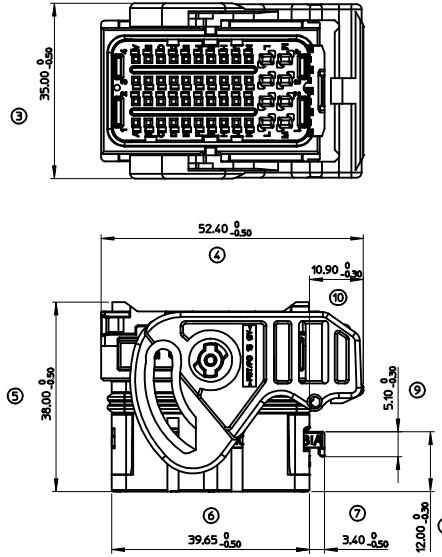


PORTE-CLIPS SORTIE GAUCHE
FEMALE MODULE LEFT WIRE OUTPUT

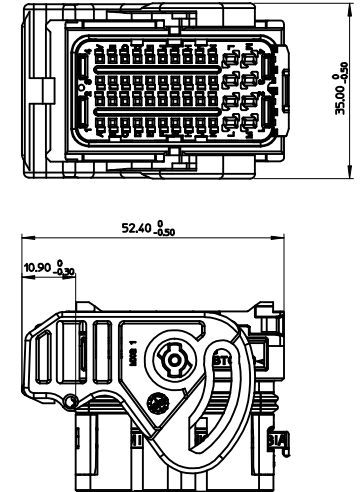


ENCOMBREMENT PORTE-CLIPS D.V. POSITION LIVRAISON
FEMALE MODULE LAYOUT SECONDARY LOCKING IN DELIVERY POSITION

PORTE-CLIPS SORTIE DROITE
FEMALE MODULE RIGHT WIRE OUTPUT

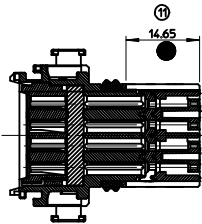
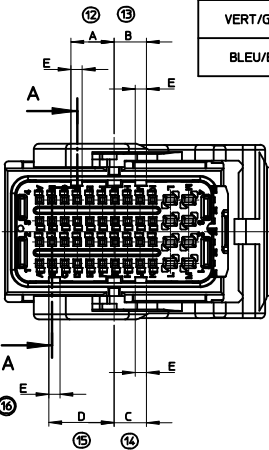


PORTE-CLIPS SORTIE GAUCHE
FEMALE MODULE LEFT WIRE OUTPUT



POSITION DES DETROMPAGE/S
CODING POSITION

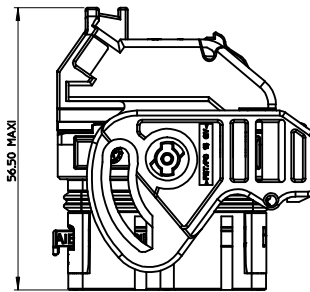
COULEUR/COLOUR	DETROMPAGE/CODING	A +0.10 0	B +0.10 0	C +0.10 0	D +0.10 0	E +0.10 0
NOIR/BLACK	1	8.60	6.40	6.40	12.95	2.25
GRIS/GREY	2	12.95	8.60	8.60	10.75	2.25
MARRON/BROWN	3	12.95	12.95	10.75	8.60	2.25
VERT/GREEN	4	6.40	6.40	12.95	10.75	2.25
BLEU/BLUE	5	8.60	8.60	10.75	6.40	2.25



A-A
(LEVER NON REPRESENTÉ)
(LEVER NOT SHOWN)

⊗	INDICATION DIMENSIONS S.P.C DENOTES S.P.C DIMENSIONS
⊗	INDICATION DIMENSIONS CRITIQUES DENOTES CRITICAL DIMENSIONS
●	INDICATION DIMENSIONS FONCTIONNELLES DENOTES FUNCTIONAL DIMENSIONS
⊗	QUANTITE PAR FEUILLE INDIVIDUELLE QUANTITY PER INDIVIDUAL SHEET
⊗ 0	0
⊗ 1	1

ENCOMBREMENT HORS-TOUT
OVERALL DIMENSION



CONTACTS
FEMALE TERMINAL

REPERE ALVEOLES CAVITIES NUMBER	CONTACTS FEMALE TERMINAL	REF. MOLEX MOLEX P/N	DIAMETRE ISOLANT FIL MINI / MAXI MIN / MAX WIRE INSULATION DIAMETER
A1 à K1	CLIP 0.63 (0.35mm2 à 0.60mm2)	0986581211	Ø1.25 min / Ø1.90 max
A2 à K2		0986581213	
A3 à K3	CLIP 0.63 (0.75mm2)	0986581212	Ø1.60 min / Ø1.90 max
A4 à K4			
L1 à M4	CLIP 1.5 (0.5mm2 à 1mm2)	0989151029	Ø1.40 min / Ø2.15 max
L1 à M4		0989151039	Ø2.25 min / Ø2.65 max

EC NO: G2009-0313 DRW: PGRANDL2009/06/18 CHKD: PDECHELEZ2009/06/18 APPR: CBOUCHANZ2009/06/18	GENERAL TOLERANCES (UNLESS SPECIFIED)	SCALE 5:1	DESIGN UNITS METRIC	FIRST ANGLE PROJECTION	REVISE ON CAD ONLY	
	4 PLACES ± --- ± --- 3 PLACES ± --- ± --- 2 PLACES ± 0.10 ± --- 1 PLACE ± 0.15 ± --- ANGULAR ± 1 °	DIMENSION STYLE MM ONLY	DRAWN BY PGR	DATE 98/12/13	TITLE PORTE-CLIPS 48 VOIES CMC FEMALE MODULE CMC 48 WAY SALES DRAWING	
	DRAFT WHERE APPLICABLE MUST REMAIN WITHIN DIMENSIONS	APPROVED BY CBO	DATE 00/02/02	MATERIAL NO. SEE CHART	DOCUMENT NO. SD-98950-010	SHEET NO. 2 OF 2
	THIS DRAWING CONTAINS INFORMATION THAT IS PROPRIETARY TO MOLEX INCORPORATED AND SHOULD NOT BE USED WITHOUT WRITTEN PERMISSION					