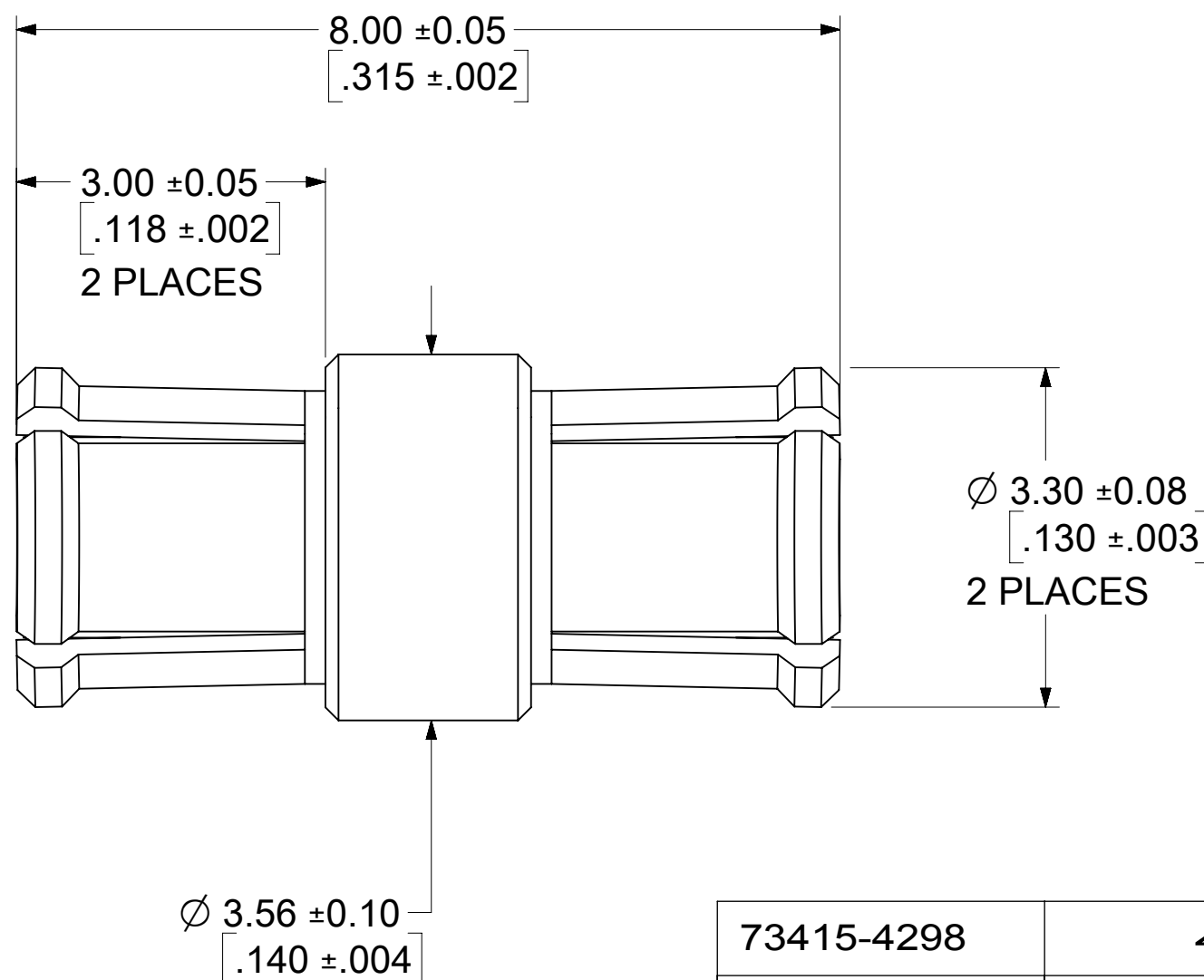
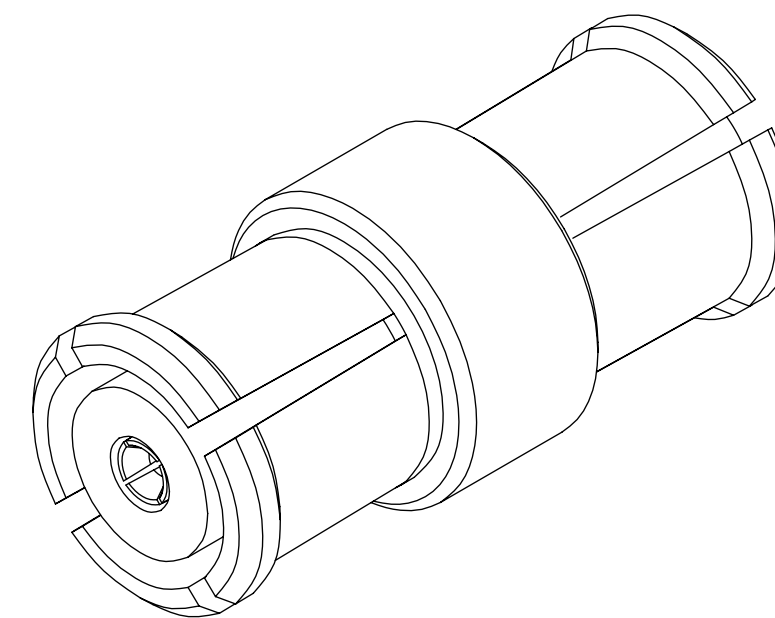


MATERIAL AND FINISHES

BODY: BERYLLIUM COPPER  
PLATED GOLD (SEE TABLE)

CONTACT: BERYLLIUM COPPER  
PLATED GOLD (SEE TABLE)

INSULATOR: TEFLON



73415-4296	30 μ INCH MIN
73415-4290	30 μ INCH MIN
PART NO.	PLATING
	THICKNESS

MIL-STD-348A, FIG. 326.1	INTERFACE
SPECIFICATION	DESCRIPTION

73415-4298	4	ONE PER BAG	895420470
73415-4297	3	ONE PER BAG	895420470
73415-4296	1	ONE PER BAG	895420470
73415-4295	4	TRAY	895420040
73415-4294	3	TRAY	895420040
73415-4293	4	TRAY	-----
73415-4292	3	TRAY	895420040
73415-4291	2	TRAY	895420040
73415-4290	1	TRAY	895420040
PART NO.	SHEET NO.	PACKAGING	PACKING SPEC

FUNCTIONAL SYMBOLS	THIS DRAWING CONTAINS INFORMATION THAT IS PROPRIETARY TO MOLEX ELECTRONIC TECHNOLOGIES, LLC AND SHOULD NOT BE USED WITHOUT WRITTEN PERMISSION					
	DIMENSION UNITS	SCALE	CURRENT REV DESC: ADD 73415-4298 PER EWR# 15321-C			
FA = 0	MM/INCH	NTS	<p><b>molex</b></p> <p>SMP JACK, ADAPTER 50 OHMS, EWR1994 &amp; 2098 SMP-J/AD</p> <p>PRODUCT CUSTOMER DRAWING</p>			
EA = 0	GENERAL TOLERANCES (UNLESS SPECIFIED)					
EP = 0	ANGULAR TOL ± 2.0°					
DIVISIONAL SYMBOLS	4 PLACES ±	EC NO: 719080	<p>2022/08/25</p> <p>2022/08/29</p> <p>2022/08/29</p> <p>INITIAL REVISION:</p> <p>DRWN: TFLAHERT 2004/09/08</p> <p>APPR: JWIENER 2004/09/08</p>			
	3 PLACES ±	DRWN: ELIN				
	2 PLACES ±	CHK'D: YCHENG				
	1 PLACE ±	APPR: YCHENG				
0 PLACES ±	THIRD ANGLE PROJECTION		DOCUMENT NUMBER	DOC TYPE	DOC PART	REVISION
DRAFT WHERE APPLICABLE MUST REMAIN WITHIN DIMENSIONS		C-SIZE	SERIES	MATERIAL NUMBER	CUSTOMER	SHEET NUMBER
			73415	SEE TABLE	GENERAL MARKET	1 OF 4

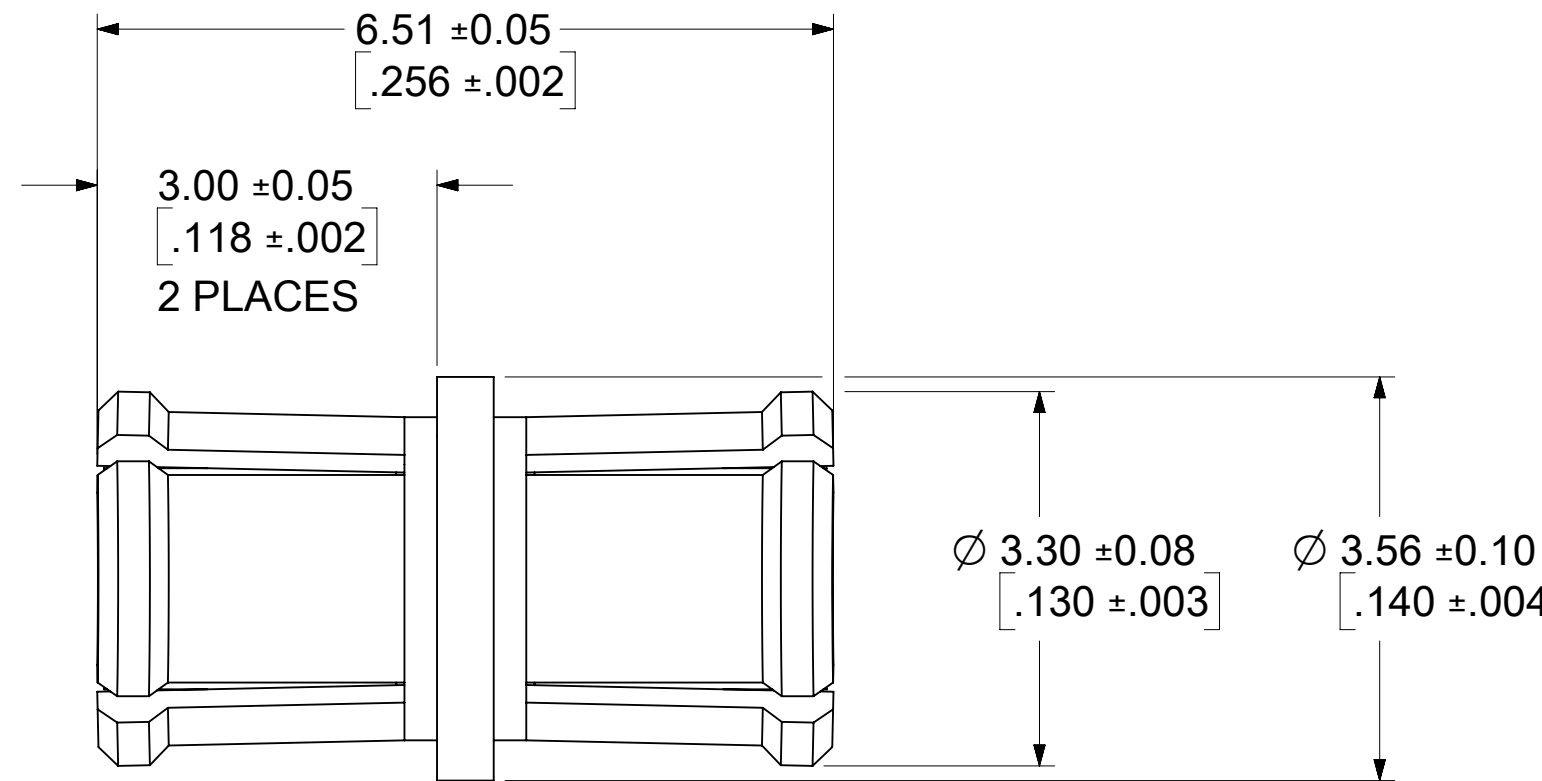
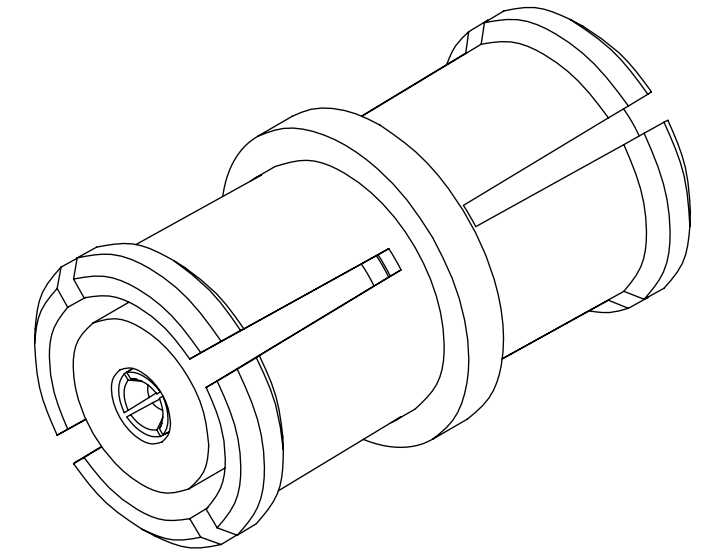
DOCUMENT STATUS	P1	RELEASE DATE	2022/08/29	03:27:20
-----------------	----	--------------	------------	----------

MATERIAL AND FINISHES

BODY: BERYLLIUM COPPER  
 PLATED GOLD (30 μ INCH MINIMUM)

CONTACT: BERYLLIUM COPPER  
 PLATED GOLD (30 μ INCH MINIMUM)

INSULATOR: TEFLON



PART # 73415-4291

MIL-STD-348A, FIG. 326.1	INTERFACE
SPECIFICATION	DESCRIPTION

FUNCTIONAL SYMBOLS	THIS DRAWING CONTAINS INFORMATION THAT IS PROPRIETARY TO MOLEX ELECTRONIC TECHNOLOGIES, LLC AND SHOULD NOT BE USED WITHOUT WRITTEN PERMISSION												
	DIMENSION UNITS	SCALE	CURRENT REV DESC: ADD 73415-4298 PER EWR# 15321-C							<b>molex</b>			
$\frac{E}{A} = 0$	MM/INCH	NTS	GENERAL TOLERANCES (UNLESS SPECIFIED)		EC NO: 719080							SMP JACK, ADAPTER 50 OHMS, EWR1994 & 2098 SMP-J/AD	
$\frac{E}{C} = 0$	ANGULAR TOL ± 2.0°		4 PLACES ±		DRWN: ELIN		2022/08/25						
$\frac{E}{P} = 0$	DIVISIONAL SYMBOLS		3 PLACES ±		CHK'D: YCHENG		2022/08/29			PRODUCT CUSTOMER DRAWING			
2 PLACES ±		APPR: YCHENG		2022/08/29									
1 PLACE ±		INITIAL REVISION:		DRWN: TFLAHERT		2004/09/08			DOCUMENT NUMBER		DOC TYPE	DOC PART	REVISION
0 PLACES ±		APPR: JWIENER		2004/09/08		SD-73415-429			PSD	001	C3		
DRAFT WHERE APPLICABLE MUST REMAIN WITHIN DIMENSIONS		THIRD ANGLE PROJECTION		DRAWING		SERIES		MATERIAL NUMBER		CUSTOMER		SHEET NUMBER	
				C-SIZE		73415		SEE TABLE		GENERAL MARKET		2 OF 4	

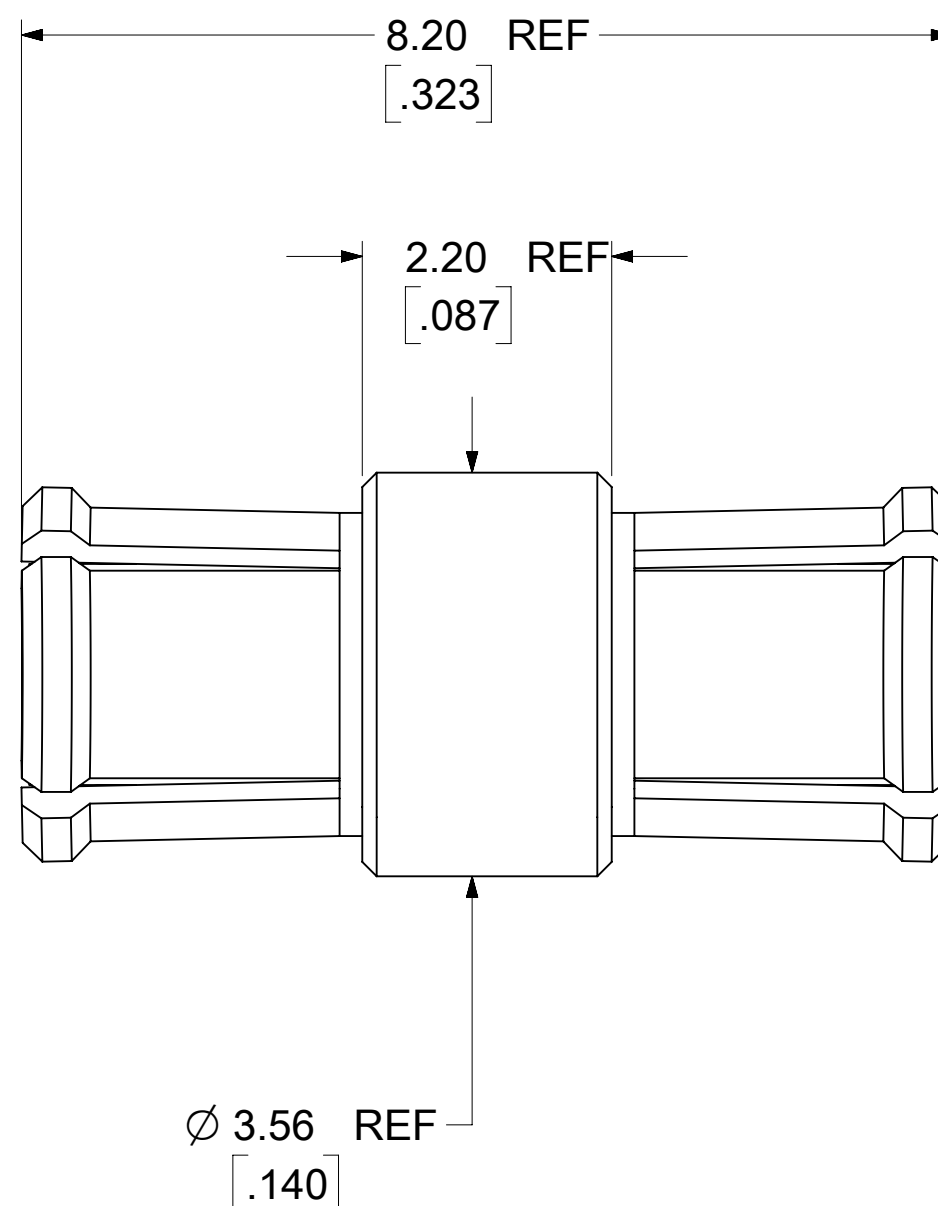
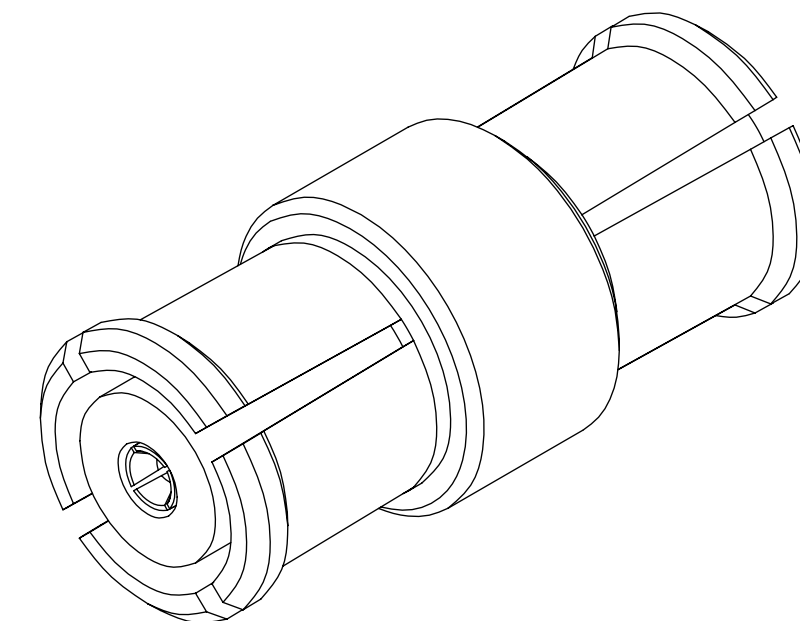
DOCUMENT STATUS	P1	RELEASE DATE	2022/08/29	03:27:20
-----------------	----	--------------	------------	----------

MATERIAL AND FINISHES:

BODY: BERYLLIUM COPPER  
PLATED GOLD (SEE TABLE)

CONTACT: BERYLLIUM COPPER  
PLATED GOLD (SEE TABLE)

INSULATOR: TEFLON



MIL-STD-348A, FIG. 326.1	INTERFACE
SPECIFICATION	DESCRIPTION

73415-4297	50 μ INCH MIN
73415-4294	30 μ INCH MIN
73415-4292	50 μ INCH MIN
PART NO.	PLATING
	THICKNESS

FUNCTIONAL SYMBOLS	THIS DRAWING CONTAINS INFORMATION THAT IS PROPRIETARY TO MOLEX ELECTRONIC TECHNOLOGIES, LLC AND SHOULD NOT BE USED WITHOUT WRITTEN PERMISSION											
MM/INCH	SCALE	CURRENT REV DESC: ADD 73415-4298 PER EWR# 15321-C										
NTS												
GENERAL TOLERANCES (UNLESS SPECIFIED)	EC NO: 719080											
ANGULAR TOL ± 2.0°	DRWN: ELIN 2022/08/25											
4 PLACES ±	CHK'D: YCHENG 2022/08/29											
3 PLACES ±	APPR: YCHENG 2022/08/29											
2 PLACES ±	INITIAL REVISION:											
1 PLACE ±	DRWN: TFLAHERT 2004/09/08											
0 PLACES ±	APPR: JWIENER 2004/09/08											
DRAFT WHERE APPLICABLE MUST REMAIN WITHIN DIMENSIONS	THIRD ANGLE PROJECTION	DRAWING	SERIES	MATERIAL NUMBER	CUSTOMER	DOC TYPE	DOC PART	REVISION				
		C-SIZE	73415	SEE TABLE	GENERAL MARKET	PSD	001	C3	SHEET NUMBER 3 OF 4			

**molex**

SMP JACK, ADAPTER  
50 OHMS, EWR1994 & 2098 SMP-J/AD

PRODUCT CUSTOMER DRAWING

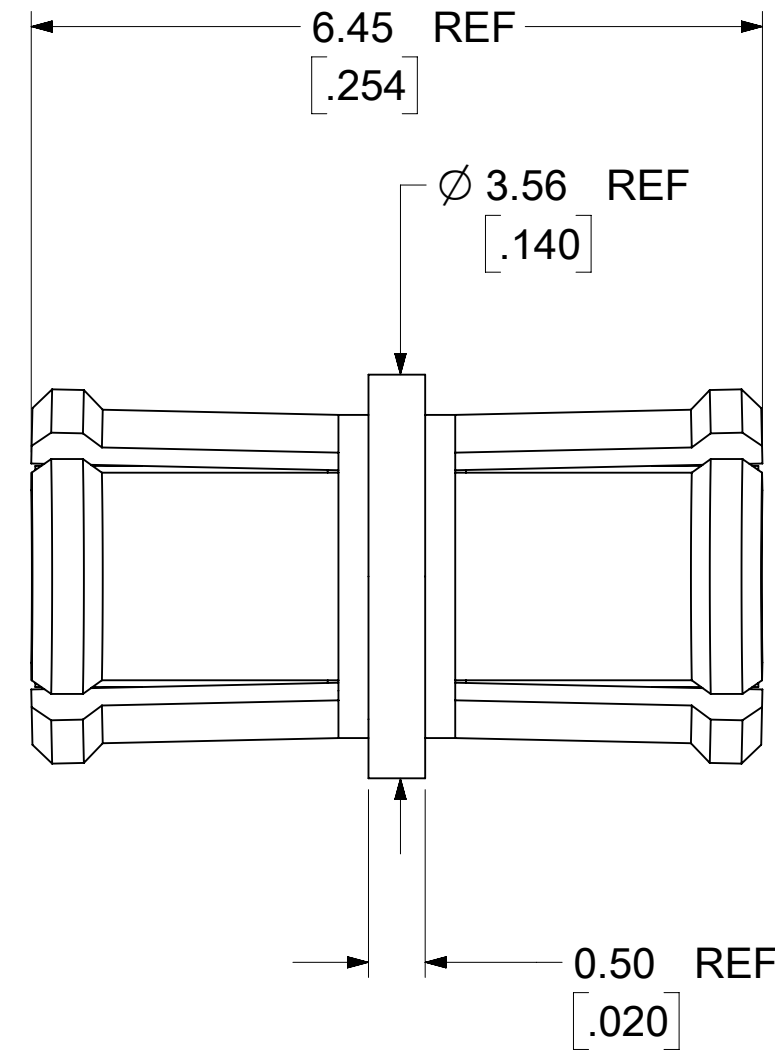
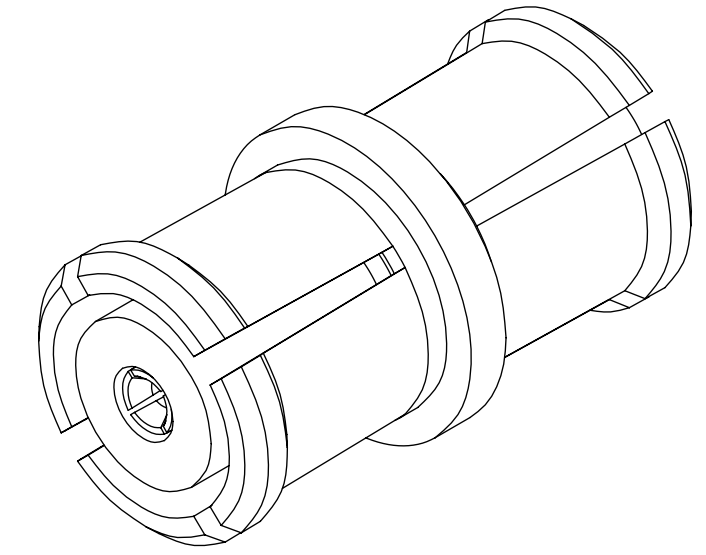
DOCUMENT STATUS	P1	RELEASE DATE	2022/08/29	03:27:20
-----------------	----	--------------	------------	----------

MATERIAL AND FINISHES:

BODY: BERYLLIUM COPPER  
PLATED GOLD (SEE TABLE)

CONTACT: BERYLLIUM COPPER  
PLATED GOLD (SEE TABLE)

INSULATOR: TEFLON



MIL-STD-348A, FIG. 326.1	INTERFACE
SPECIFICATION	DESCRIPTION

73415-4298	30 μ INCH MIN
73415-4295	30 μ INCH MIN
73415-4293	50 μ INCH MIN
PART NO.	PLATING
	THICKNESS

FUNCTIONAL SYMBOLS	THIS DRAWING CONTAINS INFORMATION THAT IS PROPRIETARY TO MOLEX ELECTRONIC TECHNOLOGIES, LLC AND SHOULD NOT BE USED WITHOUT WRITTEN PERMISSION													
$\frac{F}{A} = 0$ $\frac{F}{C} = 0$ $\frac{F}{P} = 0$	DIMENSION UNITS	SCALE	CURRENT REV DESC: ADD 73415-4298 PER EWR# 15321-C											
	MM/INCH	NTS	GENERAL TOLERANCES (UNLESS SPECIFIED)											
	ANGULAR TOL ± 2.0°		4 PLACES ±			EC NO: 719080			2022/08/25			SMP JACK, ADAPTER 50 OHMS, EWR1994 & 2098 SMP-J/AD		
	3 PLACES ±		DRWN: ELIN			2022/08/29								
	2 PLACES ±		CHK'D: YCHENG			2022/08/29			PRODUCT CUSTOMER DRAWING					
	1 PLACE ±		APPR: YCHENG			INITIAL REVISION:								
DIVISIONAL SYMBOLS	0 PLACES ±		DRWN: TFLAHERT			2004/09/08			DOCUMENT NUMBER			DOC TYPE	DOC PART	REVISION
	DRAFT WHERE APPLICABLE MUST REMAIN WITHIN DIMENSIONS		APPR: JWIENER			2004/09/08			SD-73415-429			PSD	001	C3
	THIRD ANGLE PROJECTION		DRAWING			SERIES			MATERIAL NUMBER			CUSTOMER		SHEET NUMBER
			C-SIZE			73415			SEE TABLE			GENERAL MARKET		4 OF 4

DOCUMENT STATUS	P1	RELEASE DATE	2022/08/29	03:27:20
-----------------	----	--------------	------------	----------