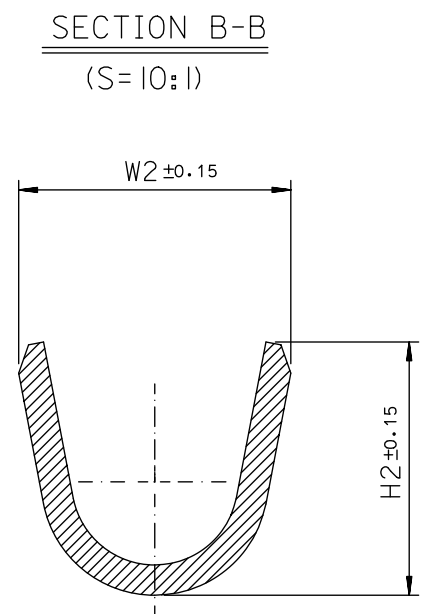
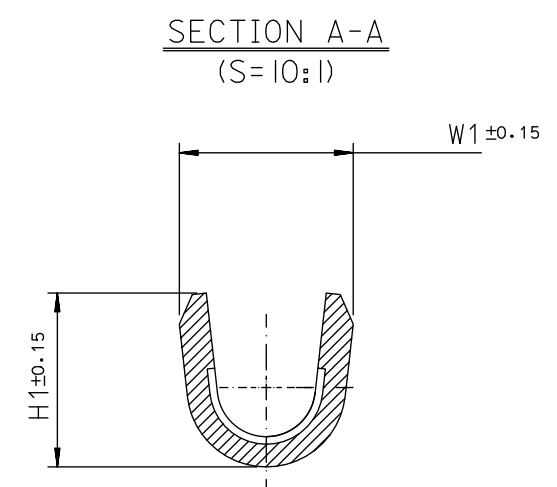
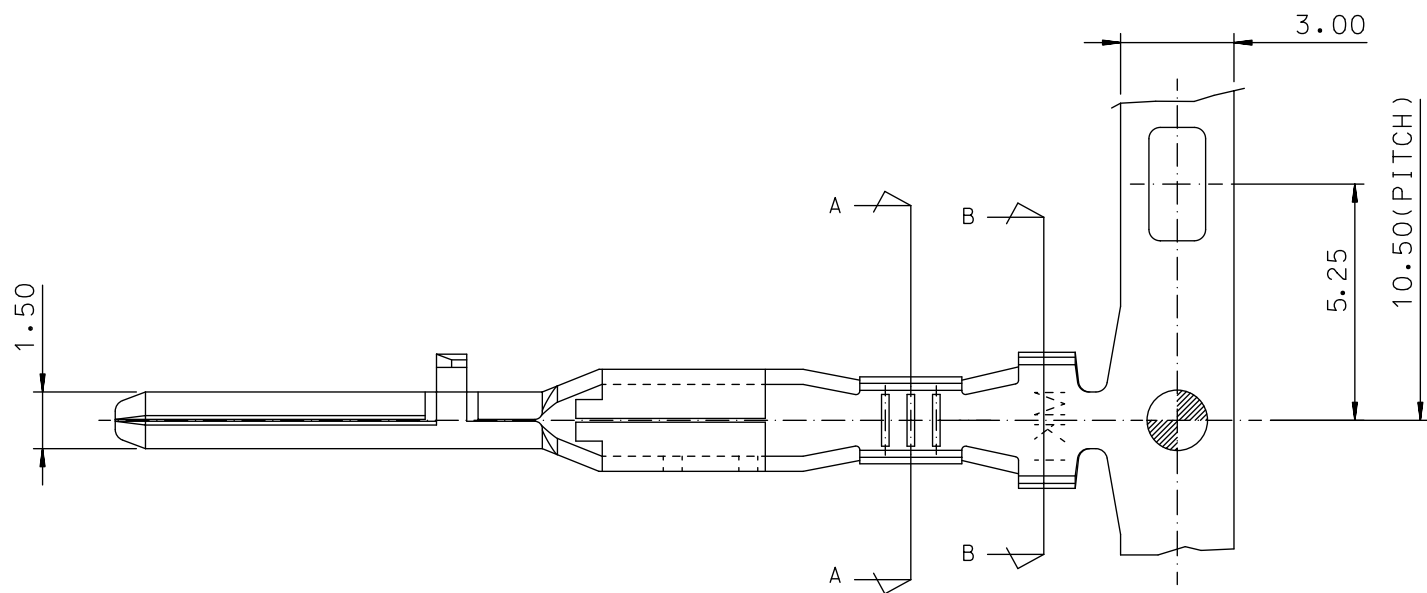


ENG.NO	MATERIAL NO.	DESCRIPTION	DIMENSION						WIRE RANGE mm <sup>2</sup>
			W1	H1	R1	W2	H2	R2	
57964-9702	579649702	.060 MALE TER'L(S)	2.3	2.3	R0.65	3.6	3.35	R0.90	AVS(CAVS) 0.3,0.5
57964-9802	579649802	.060 MALE TER'L(M)	2.8	2.95	R0.9	4.2	3.9	R1.3	AVS(CAVS) 0.5,0.85,1.25
57964-9902	579649902	.060 MALE TER'L(L)	3.8	4.1	R1.1	4.5	4.0	R1.4	AVSS 2f



1. MATERIAL: BRASS,  $\pm 0.35 \pm 0.02$   
 2. FINISH: PRE-TIN

THIS DRAWING CONTAINS INFORMATION THAT IS PROPRIETARY TO MOLEX ELECTRONIC TECHNOLOGIES, LLC AND SHOULD NOT BE USED WITHOUT WRITTEN PERMISSION										
FUNCTIONAL SYMBOLS	DIMENSION UNITS	SCALE	CURRENT REV DESC: Corrected typo							
$\nabla_A = 0$	mm	1:1	PHASE: Design Production CO NO: CO-000001719 DRWN: Seung Uk Park 2022-11-09 CHK'D: Takashi Iida 2022-11-09 APPR: Takashi Iida 2022-11-09							
$\nabla_B = 0$	GENERAL TOLERANCES (UNLESS SPECIFIED)									
$\nabla_C = 0$	ANGULAR TOL $\pm 0.5^\circ$									
DIVISIONAL SYMBOLS	3 PLACES	$\pm$	INITIAL REVISION:				DOCUMENT NUMBER	DOC TYPE	DOC PART	REVISION
	2 PLACES	$\pm 0.300$	DRWN: RFC_PLMIMP				SD-57964-002	PSD	001	B1
	1 PLACE	$\pm$	APPR:				MATERIAL NUMBER	CUSTOMER		SHEET NUMBER
	0 PLACES	$\pm$	DRAFT WHERE APPLICABLE MUST REMAIN WITHIN DIMENSIONS		THIRD ANGLE PROJECTION	DRAWING	SERIES	GENERAL MARKET		1 OF 1
						B-SIZE	68503			

**molex**

.060 MALE TERMINAL  
For OBD Male Housing

PRODUCT SALES DRAWING