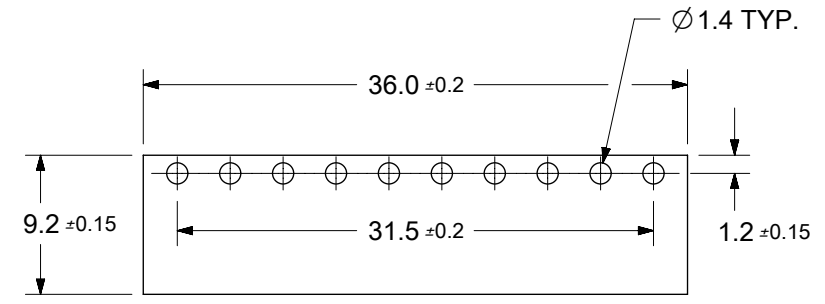
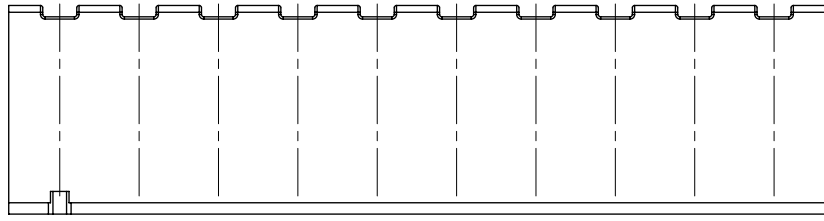


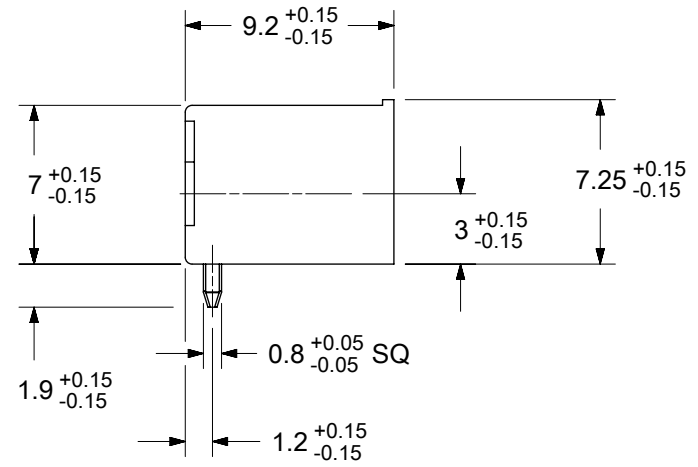
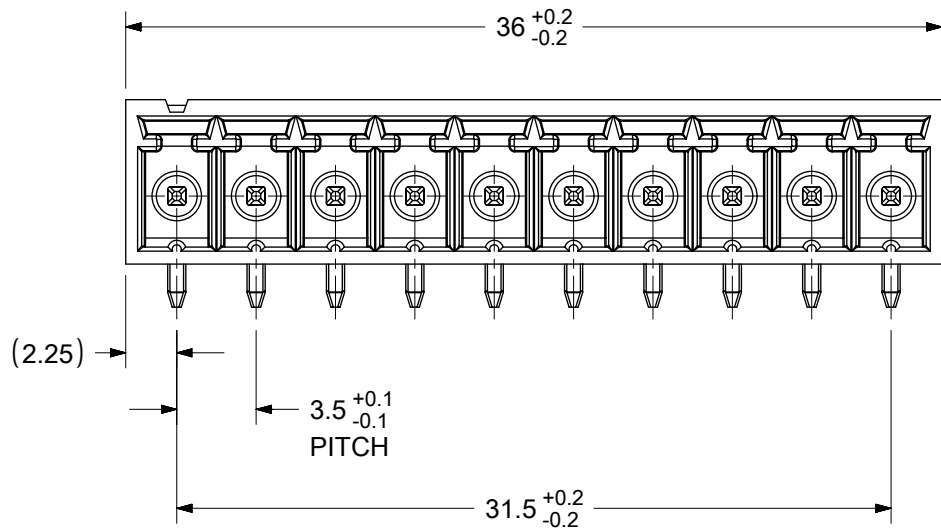
6 5 4 3 2 1

D



PCB LAYOUT
(SCALE 2:1)

C



B

SPECIFICATIONS

MATERIAL:

- 1. HOUSING: PA46 GF UL94V-0: COLOR: GREEN
- 2. TERMINAL: TIN PLATED COPPER ALLOY

ELECTRICAL RATINGS:

- 1. MAXIMUM VOLTAGE: 300V (PER UL)
- 2. MAXIMUM CURRENT: 11A (PER UL)

A

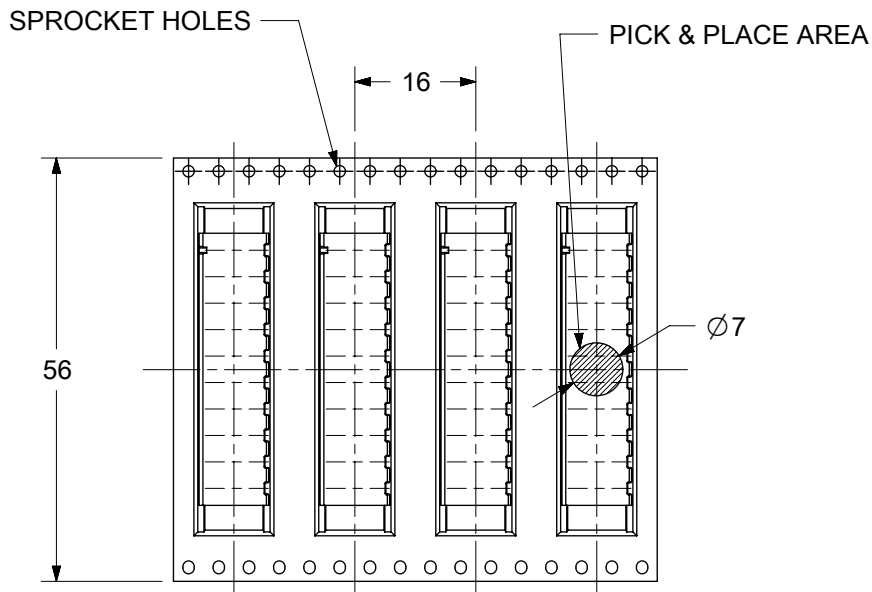
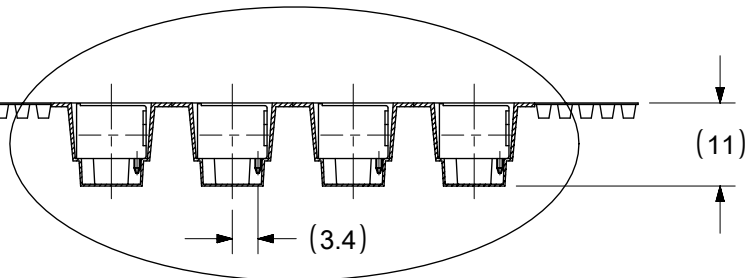
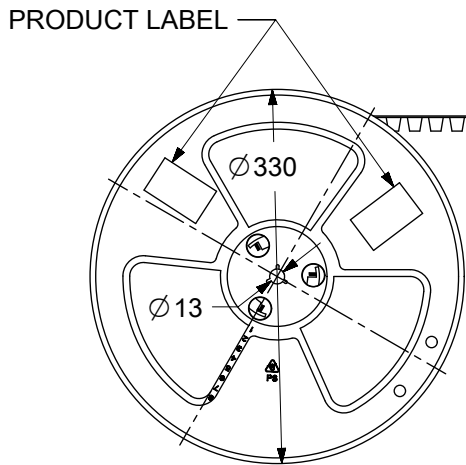
FUNCTIONAL SYMBOLS	THIS DRAWING CONTAINS INFORMATION THAT IS PROPRIETARY TO MOLEX ELECTRONIC TECHNOLOGIES, LLC AND SHOULD NOT BE USED WITHOUT WRITTEN PERMISSION														
	DIMENSION UNITS		SCALE		CURRENT REV DESC: INITIAL RELEASE										
	mm		3:1		EC NO: 645226 DRWN: ABENJAMINLW 2020/07/21 CHK'D: DACHAMMER 2020/09/10 APPR: JFMURPHY 2020/10/19 INITIAL REVISION: DRWN: ABENJAMINLW 2020/07/21 APPR: JFMURPHY 2020/10/19										
	GENERAL TOLERANCES (UNLESS SPECIFIED)														
	ANGULAR TOL ± °														
DIVISIONAL SYMBOLS	4 PLACES		± ---		PRODUCT CUSTOMER DRAWING DOCUMENT NUMBER: 395023010 DOC TYPE: PSD DOC PART: 000 REVISION: A MATERIAL NUMBER: 395023010 CUSTOMER: _____ SHEET NUMBER: 1 OF 2										
	3 PLACES		± ---												
	2 PLACES		± ---												
	1 PLACE		± ---												
	0 PLACES		± ---												
DRAFT WHERE APPLICABLE MUST REMAIN WITHIN DIMENSIONS				THIRD ANGLE PROJECTION		DRAWING		SERIES		MATERIAL NUMBER		CUSTOMER		SHEET NUMBER	

DOCUMENT STATUS	P1	RELEASE DATE	2020/10/19	17:06:27
-----------------	----	--------------	------------	----------

6 5 4 3 2 1

FORMAT: master db-prod-A
REVISION: J
DATE: 2020/01/14

TAPE & REEL PACKAGING DETAILS



FUNCTIONAL SYMBOLS	THIS DRAWING CONTAINS INFORMATION THAT IS PROPRIETARY TO MOLEX ELECTRONIC TECHNOLOGIES, LLC AND SHOULD NOT BE USED WITHOUT WRITTEN PERMISSION										
	$\frac{E}{A} = 0$ $\frac{E}{C} = 0$ $\frac{E}{P} = 0$	DIMENSION UNITS	SCALE	CURRENT REV DESC: INITIAL RELEASE							
$\frac{E}{A} = 0$ $\frac{E}{C} = 0$ $\frac{E}{P} = 0$	mm	1:1	GENERAL TOLERANCES (UNLESS SPECIFIED)							3.50MM PITCH HEADER, 10 POLES HORIZONTAL, HIGH TEMP HOUSING, TAPE & REEL PACKAGING	
DIVISIONAL SYMBOLS	ANGULAR TOL	±	°	EC NO: 645226			PRODUCT CUSTOMER DRAWING				
	4 PLACES	±	---	DRWN: ABENJAMINLW 2020/07/21			DOCUMENT NUMBER				
	3 PLACES	±	---	CHK'D: DACHAMMER 2020/09/10			395023010				
	2 PLACES	±	---	APPR: JFMURPHY 2020/10/19			DOC TYPE DOC PART REVISION				
	1 PLACE	±	---	INITIAL REVISION:			PSD 000 A				
	0 PLACES	±	---	DRWN: ABENJAMINLW 2020/07/21			MATERIAL NUMBER				
		±	---	APPR: JFMURPHY 2020/10/19			395023010				
DRAFT WHERE APPLICABLE MUST REMAIN WITHIN DIMENSIONS				THIRD ANGLE PROJECTION		DRAWING	SERIES	CUSTOMER	SHEET NUMBER		
						A-SIZE	39502		2 OF 2		