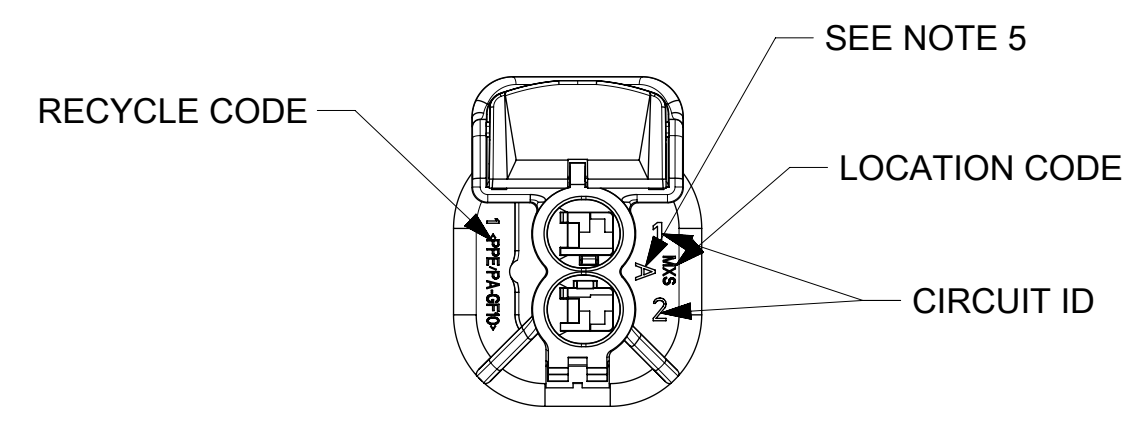
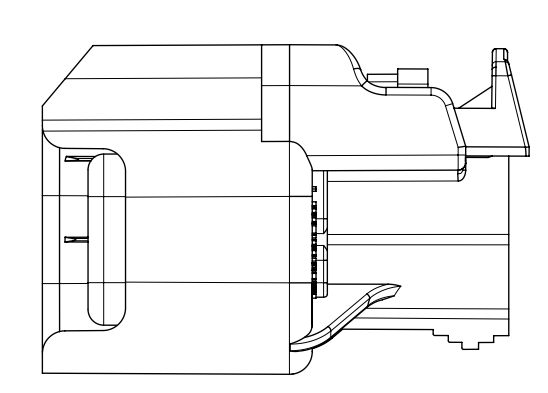
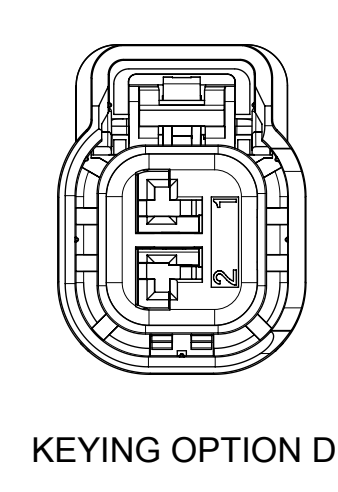
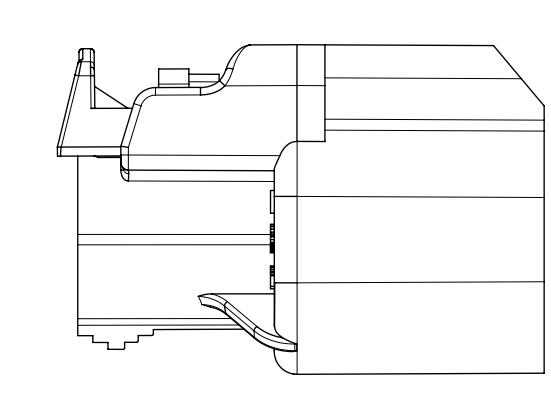
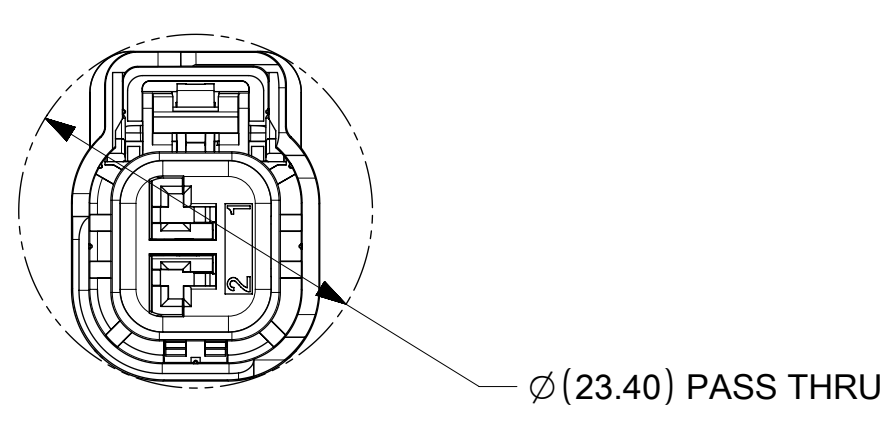
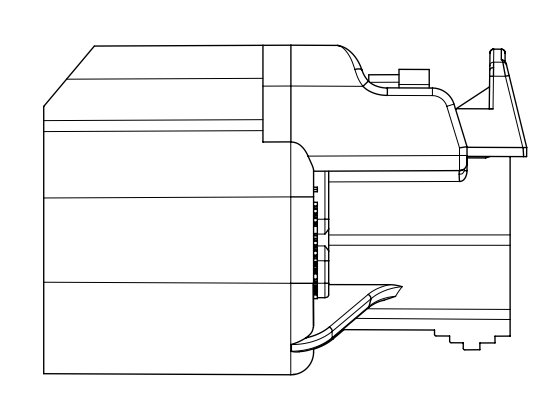
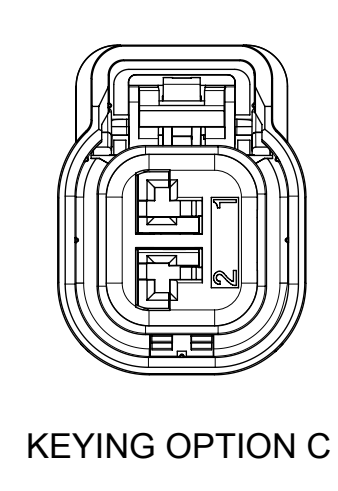
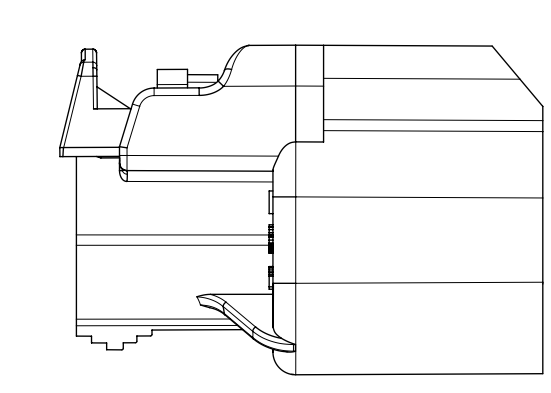
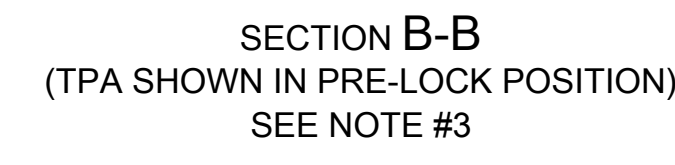
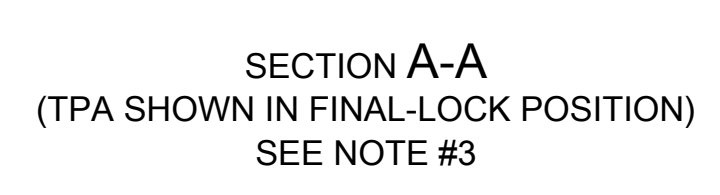
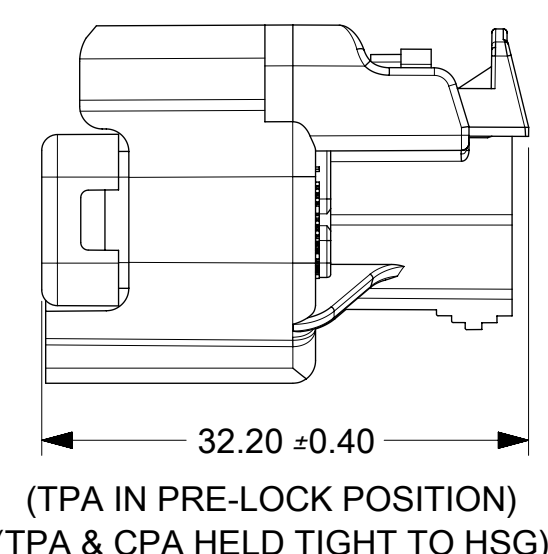
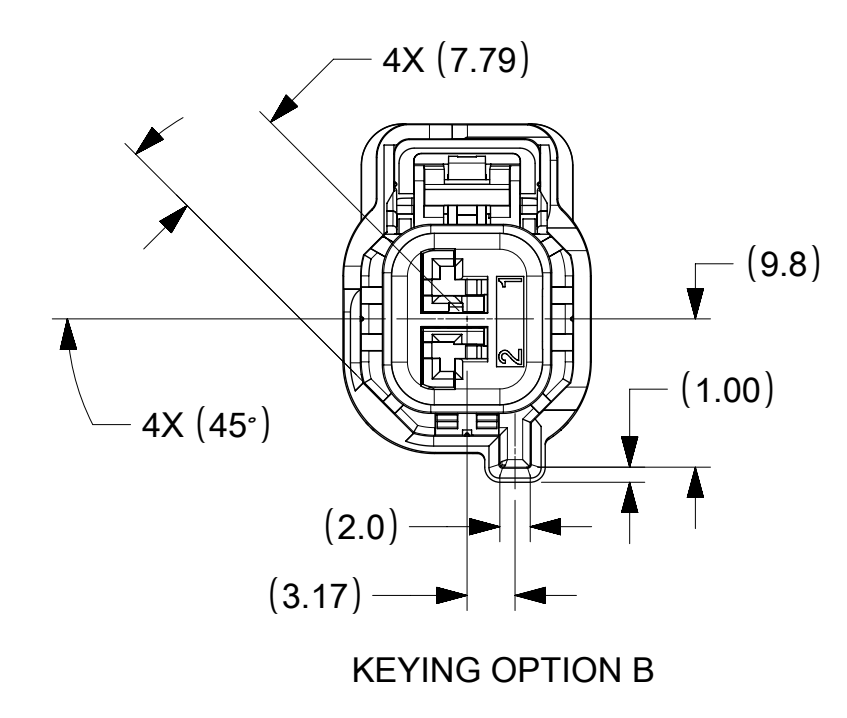
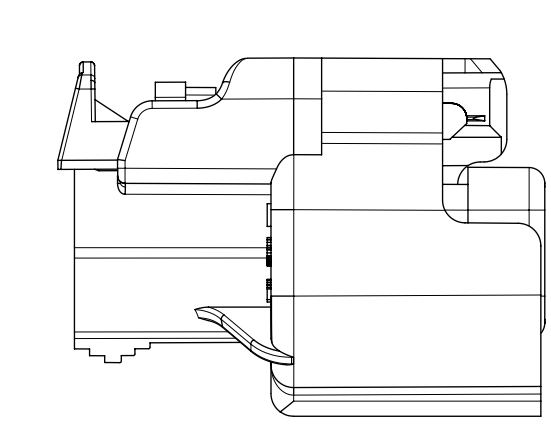
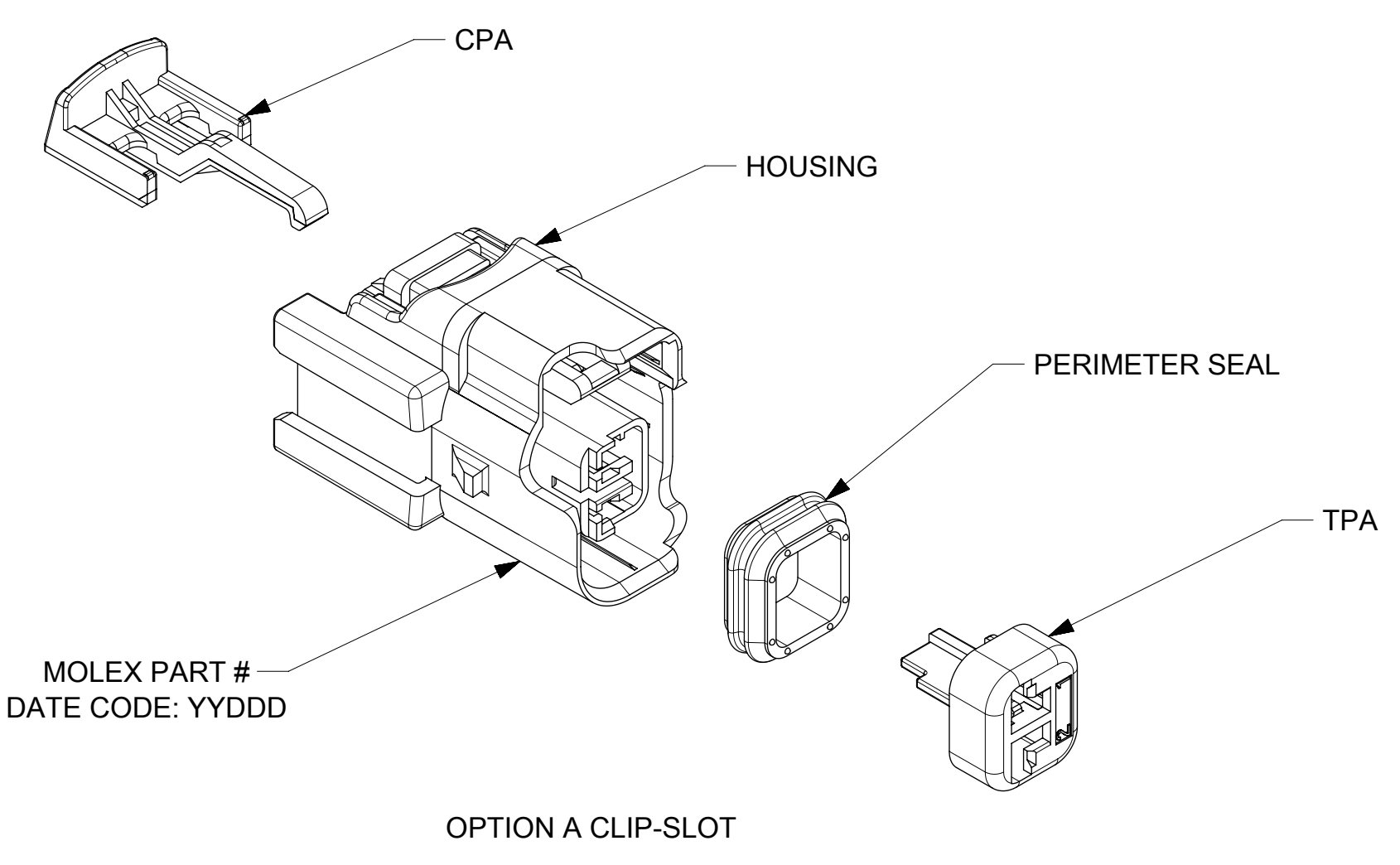
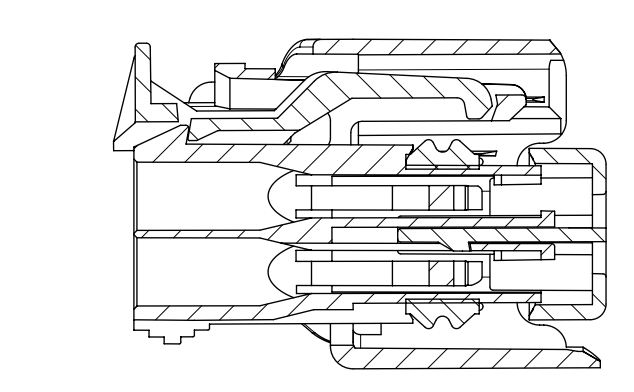
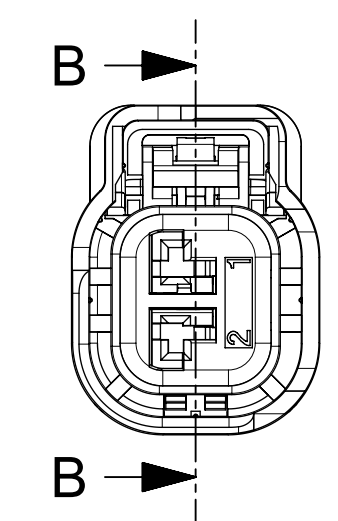
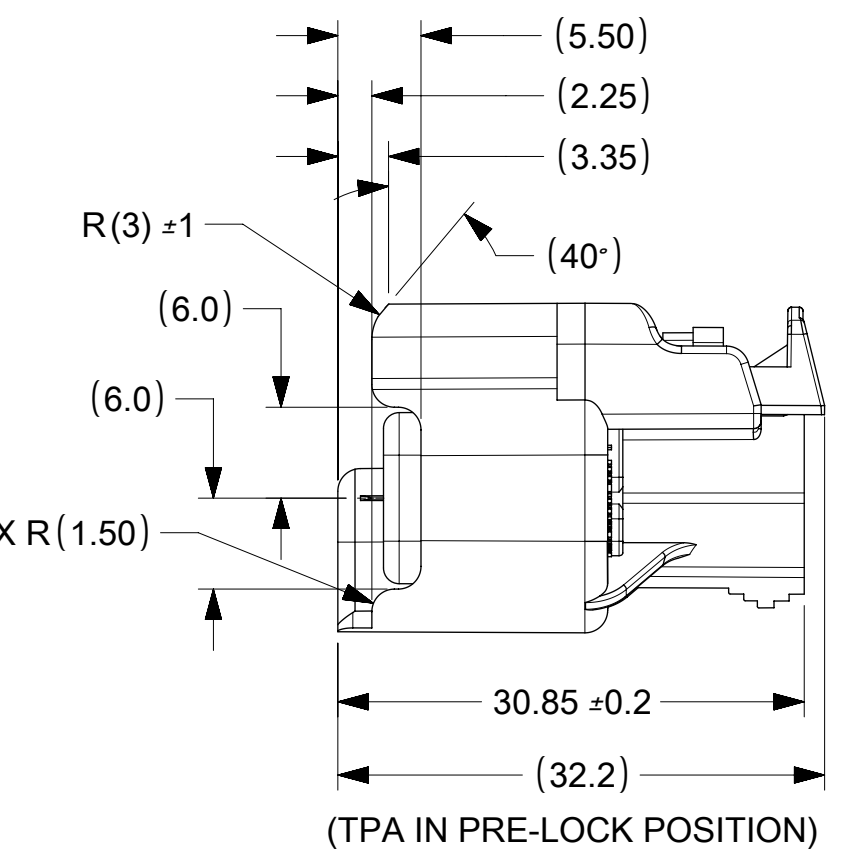
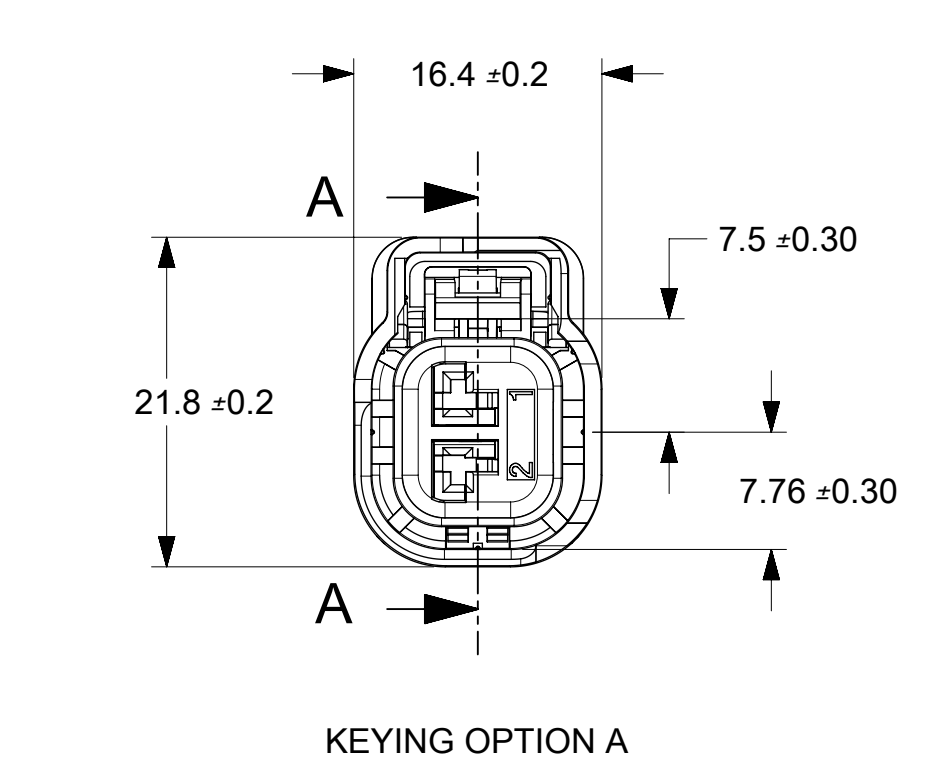
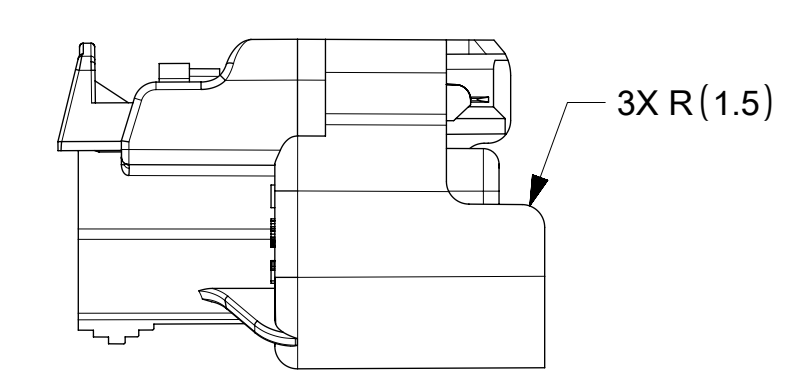
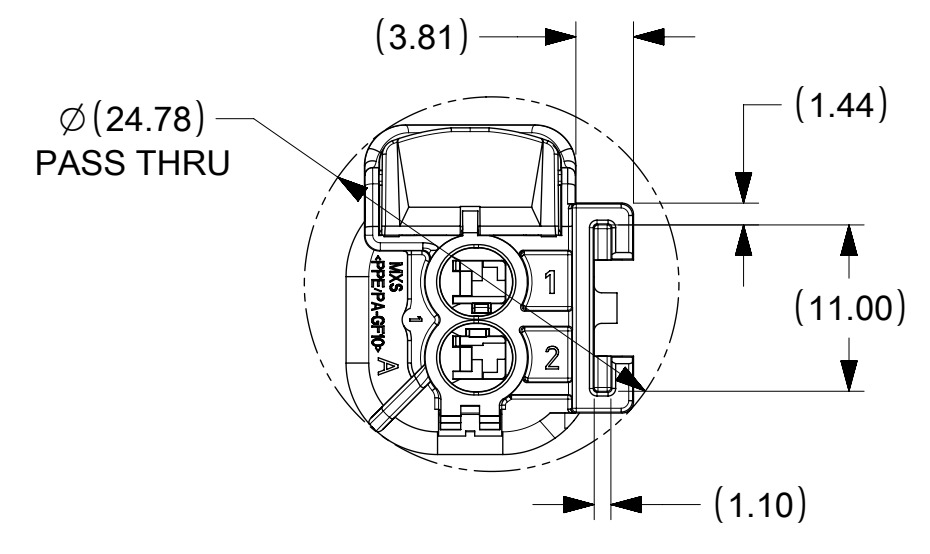
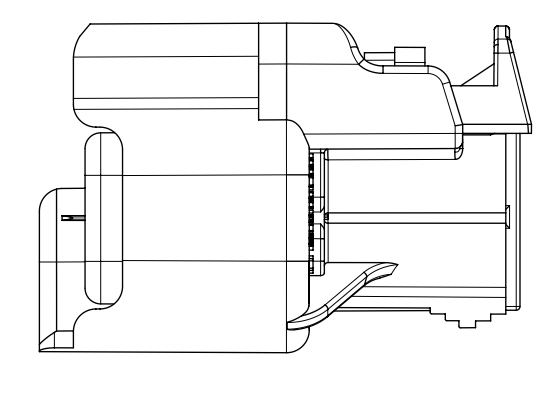
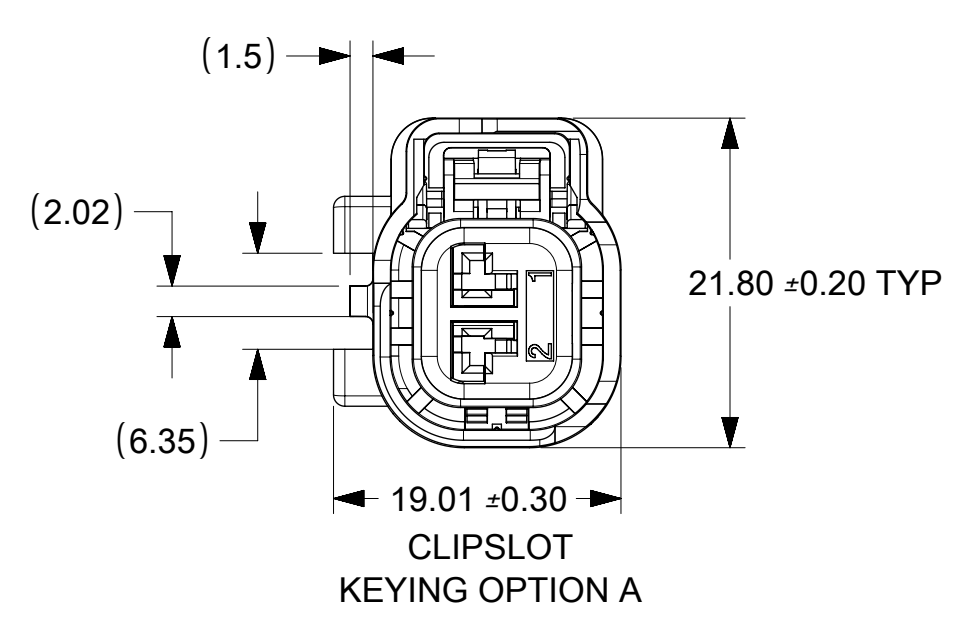
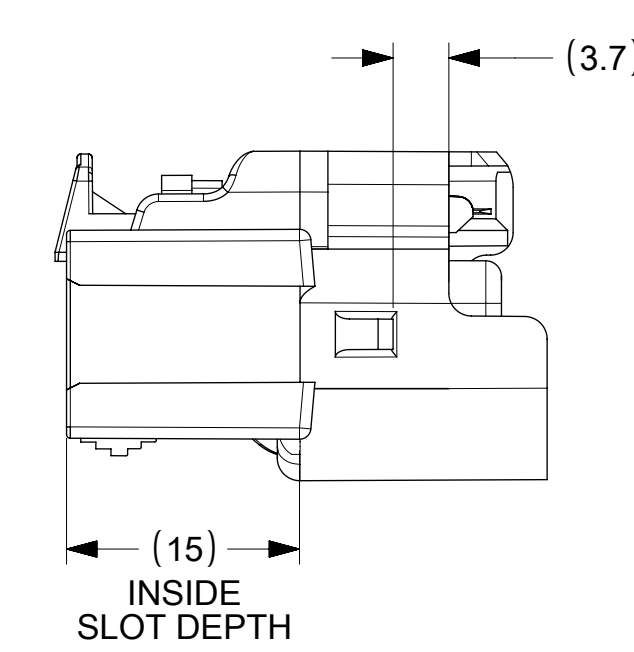
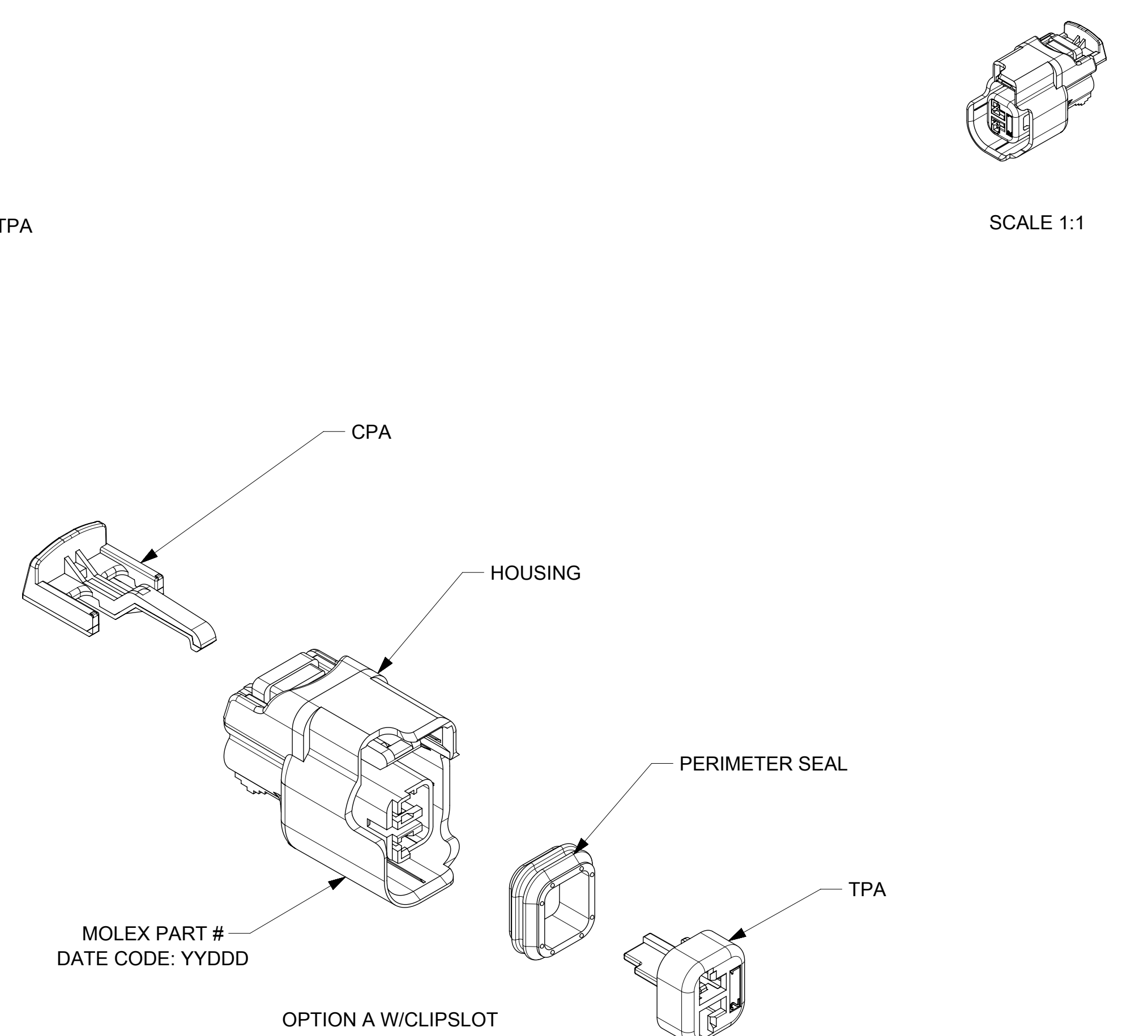
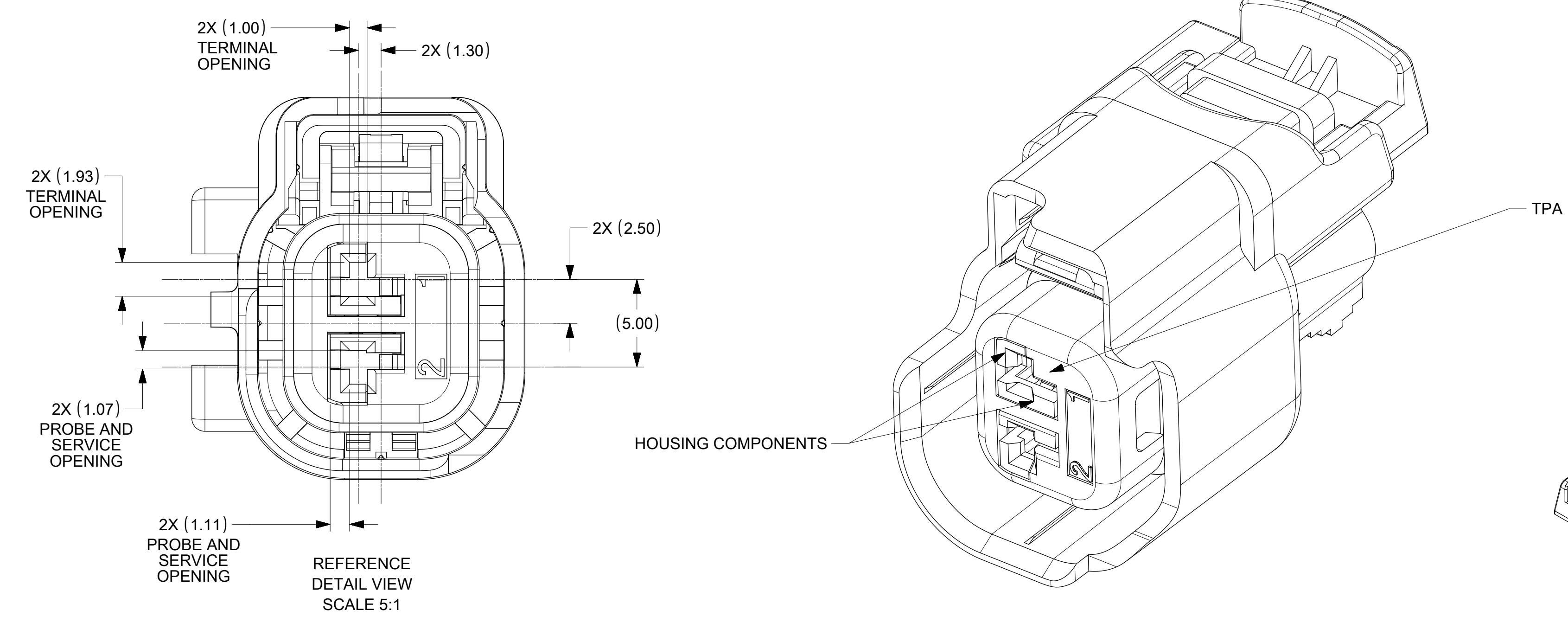


ASSEMBLY PART NUMBER	COLOR	KEYING OPTION	CPA	CLIPSLOT	TOOLED	STATUS SEE NOTE 8
34062-0001	BLACK	A	NO	NO	YES	OBSOLETE
34062-0002	GRAY	B	NO	NO	YES	OBSOLETE
34062-0003	BLACK	C	NO	NO	YES	OBSOLETE
34062-0004	BLACK	D	NO	NO	YES	OBSOLETE
34062-0005	BLACK	A	YES	NO	YES	OBSOLETE
34062-0006	GRAY	B	YES	NO	YES	PLANNED FOR OBSOLESCENCE SEE REFERENCE P/N 34062-0026
34062-0007	BLACK	C	YES	NO	YES	OBSOLETE
34062-0008	BLACK	D	YES	NO	YES	OBSOLETE
34062-0009	GRAY	D	NO	NO	YES	OBSOLETE
34062-0010	GRAY	D	YES	NO	YES	OBSOLETE
34062-0011	BLACK	A	NO	YES	YES	OBSOLETE
34062-0012	GRAY	B	NO	YES	NO	OBSOLETE
34062-0013	BLACK	C	NO	YES	NO	OBSOLETE
34062-0014	BLACK	D	NO	YES	NO	OBSOLETE
34062-0015	BLACK	A	YES	YES	YES	OBSOLETE
34062-0016	GRAY	B	YES	YES	NO	OBSOLETE
34062-0017	BLACK	C	YES	YES	NO	OBSOLETE
34062-0018	BLACK	D	YES	YES	NO	OBSOLETE
34062-0019	GRAY	D	NO	YES	NO	OBSOLETE
34062-0020	GRAY	D	YES	YES	NO	OBSOLETE



NOTES: UNLESS OTHERWISE SPECIFIED
1. ASSEMBLY CONFORMS TO:
SAE/USCAR-12, REV 2.
SAE/USCAR-2, REV 4
EXCEPT TPA REMOVAL FROM FINAL LOCK - SECOND CYCLE,
SHALL NOT BE LESS THAN 12 NEWTONS.
SAE/USCAR-20 DEC. 2001.
2. DESIGNED TO MATE WITH DEVICE CONNECTION AS SPECIFIED IN EWCAP
DRAWING 150-S-002-1-Z01 REV A (9-18-2003).
3. ASSEMBLY SHIPPED WITH TPA IN PRE-LOCK POSITION (SEE SECTION B-B
PRE-LOCK). UPON FULL TERMINAL ASSEMBLY, EACH TPA MUST BE SNAPPED
INTO ITS FINAL-LOCK POSITION.
4. OPTIONAL CPA SHOWN IN ALL VIEWS. SEE TABLES FOR SPECIFIC ASSEMBLY
OPTION AND NUMBER.
5. KEYING OPTION AND ASSEMBLY MACHINE IDENTIFIER.
6. RECYCLE CODE FOR PERIMETER SEAL: SILICON 50 DUROMETER
HOUSING: PPE/PA-GF10
TPA/CPA: PBT-GF30
7. SYSTEM TESTED USING ESB-M1L123-A, 16,18,20&22 AWG WIRE. MS-8288 AND
MS9502 ARE ACCEPTABLE ALTERNATIVES.
8. FOR RECOMMENDED PART NUMBERS NOT SHOWN ON THIS DRAWING SEE SD-34062-002 & SD-34062-004.

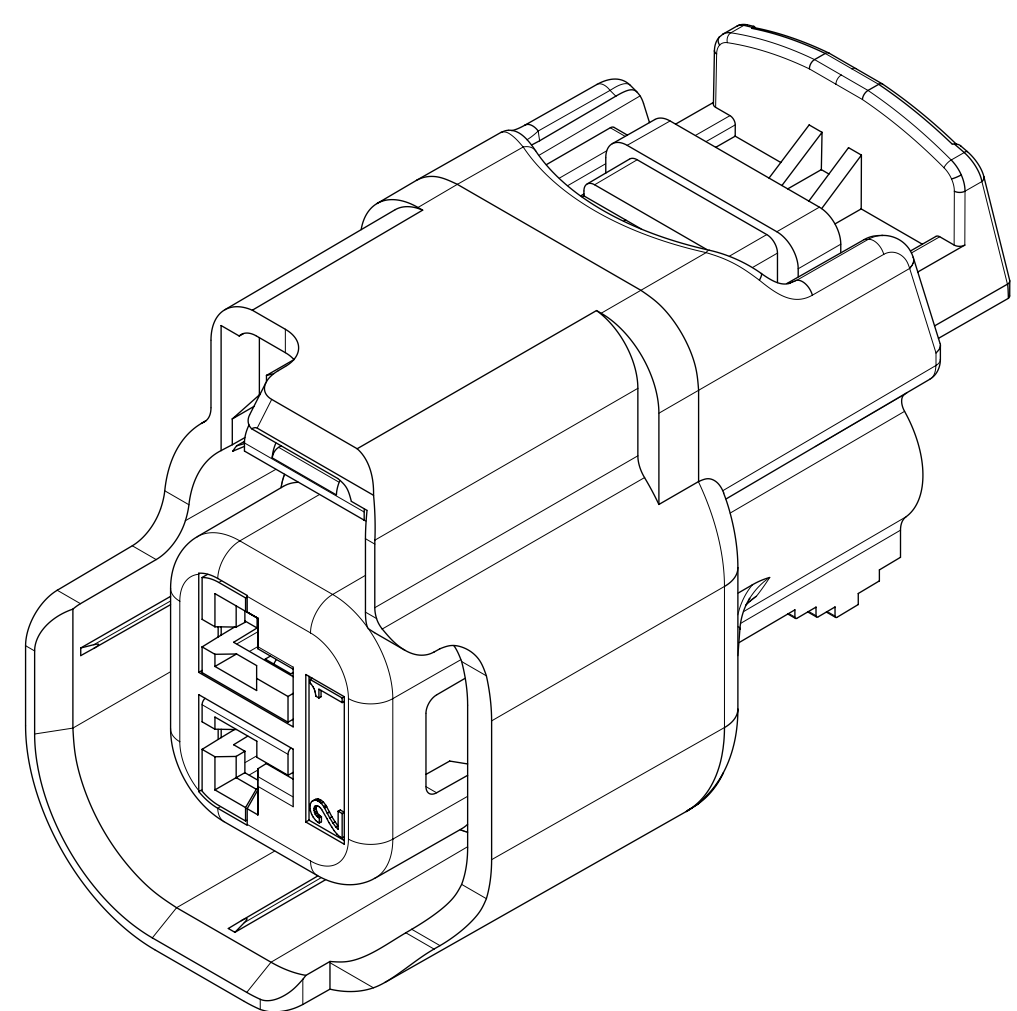
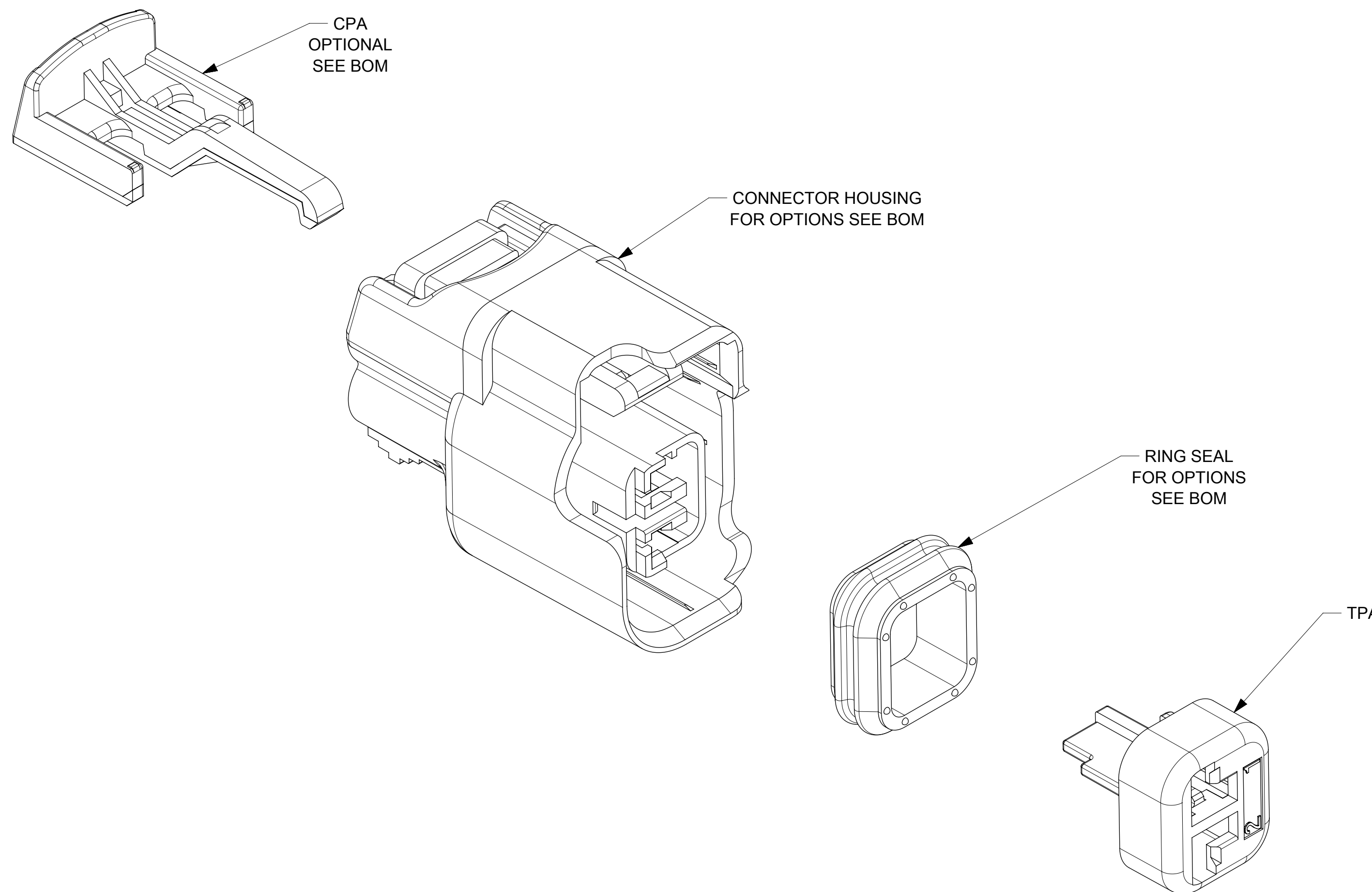
AWG	METRIC	WIRE SIZE	PREFERRED TERMINAL	OPTIONAL TERMINAL	PAYOFF DIRECTION	PLATING	GRIP	YAZAKI P/N	WIRE OD RANGE	COLOR	QSR P/N	WIRE OD RANGE	COLOR	
22	0.50	34083-2003	34083-0003	RIGHT	TIN	22	7158-3030-50	1.20-1.70	RED	E-1644-01	1.19-1.65	PINK		
22	0.50	34083-3003	34083-1003	LEFT	TIN	22	7158-3030-50	1.20-1.70	RED	E-1644-01	1.19-1.65	PINK		
22	0.50	34081-2005	34081-0005	RIGHT	GOLD	22	7158-3030-50	1.20-1.70	RED	E-1644-01	1.19-1.65	PINK		
22	0.50	34081-3005	34081-1005	LEFT	GOLD	22	7158-3030-50	1.20-1.70	RED	E-1644-01	1.19-1.65	PINK		
20	0.75	34083-2002	34083-0002	RIGHT	TIN	18/20	7158-3031-90	1.63-2.40	BLUE	E-1644-00	1.60-2.10	GREEN		
20	0.75	34083-3002	34083-1002	LEFT	TIN	18/20	7158-3031-90	1.63-2.40	BLUE	E-1644-00	1.60-2.10	GREEN		
20	0.75	34081-2004	34081-0004	RIGHT	GOLD	18/20	7158-3031-90	1.63-2.40	BLUE	E-1644-00	1.60-2.10	GREEN		
20	0.75	34081-3004	34081-1004	LEFT	GOLD	18/20	7158-3031-90	1.63-2.40	BLUE	E-1644-00	1.60-2.10	GREEN		
18	1.0	34083-2002	34083-0002	RIGHT	TIN	18/20	7158-3031-90	1.63-2.40	BLUE	E-1644-00	1.60-2.10	GREEN		
18	1.0	34083-3002	34083-1002	LEFT	TIN	18/20	7158-3031-90	1.63-2.40	BLUE	E-1644-00	1.60-2.10	GREEN		
18	1.0	34081-2004	34081-0004	RIGHT	GOLD	18/20	7158-3031-90	1.63-2.40	BLUE	E-1644-00	1.60-2.10	GREEN		
18	1.0	34081-3004	34081-1004	LEFT	GOLD	18/20	7158-3031-90	1.63-2.40	BLUE	E-1644-00	1.60-2.10	GREEN		
16	1.5	34083-2001	34083-0001	RIGHT	TIN	14/16	7158-3031-90	1.63-2.40	BLUE	E-1644-02	2.10-2.50	YELLOW		
16	1.5	34083-3001	34083-1001	LEFT	TIN	14/16	7158-3031-90	1.63-2.40	BLUE	E-1644-02	2.10-2.50	YELLOW		
16	1.5	34081-2003	34081-0003	RIGHT	GOLD	16	7158-3031-90	1.63-2.40	BLUE	E-1644-02	2.10-2.50	YELLOW		
16	1.5	34081-3003	34081-1003	LEFT	GOLD	16	7158-3031-90	1.63-2.40	BLUE	E-1644-02	2.10-2.50	YELLOW		
AWG METRIC		YAZAKI P/N	WIRE OD RANGE	COLOR	QSR P/N	WIRE OD RANGE	COLOR							
WIRE SIZE		PREFERRED TERMINAL	OPTIONAL TERMINAL	PAYOFF DIRECTION	PLATING	GRIP	YAZAKI	CABLE SEAL	QSR					
RELEASE STATUS		RELEASE DATE												

QUALITY SYMBOLS	THIS DRAWING CONTAINS INFORMATION THAT IS PROPRIETARY TO MOLEX ELECTRONIC TECHNOLOGIES, LLC AND SHOULD NOT BE USED WITHOUT WRITTEN PERMISSION									
△ = 0	EC NO: 117955 DRWN: MSELANGOVAN CHKD: MSELANGOVAN REV APPR: KDEKOSKI 2017/04/27 2017/06/14	GENERAL TOLERANCES (UNLESS SPECIFIED)		DIMENSION UNITS	SCALE	<div style="text-align: center;"> <p>CONNECTOR ASSEMBLY 2-WAY FUEL 1.5MM FEMALE FUEL INJECTOR CONNECTOR</p> <p>PRODUCT CUSTOMER DRAWING</p> </div>				
∇ = 0		ANGULAR TOL ± 3.0 °		MM	2:1					
∇ = 0		4 PLACES ±	L.P.LIM	DATE	2002/11/15					
∇ = 0		3 PLACES ±	CHK'D BY	DATE	DKOEHLER 2002/11/25					
∇ = 0		2 PLACES ± 0.1	APPR BY	DATE	CPENDLET 2002/11/25					
∇ = 0		1 PLACE ± 0.3	DRAWING SIZE	THIRD ANGLE PROJECTION	E					
∇ = 0		0 PLACES ±	DRAFT WHERE APPLICABLE MUST REMAIN WITHIN DIMENSIONS							
∇ = 0		SERIES		MATERIAL NUMBER	CUSTOMER					
∇ = 0		34062		SEE TABLE	GENERAL MARKET					
∇ = 0		DOCUMENT NUMBER		DOC TYPE	DOC PART					
∇ = 0	SD-34062-001		PSD	000	1 OF 1					

TABLE OF CONTENTS	
SHEET NO.	SHEET DESCRIPTION
1	NOTES
2, 3	CONFIGURATIONS
4	RECEPTACLE CONNECTOR ASSEMBLY
5	MOLEX INTERFACE

NOTES: VALID UNLESS OTHERWISE SPECIFIED

1. GENERAL:
- a. APPLICATION SPECIFICATION SEE: AS-34062-000
 - CONTAINS: PRODUCT INTRODUCTION, PRODUCT SUMMARY, CONNECTOR ASSEMBLY, PACKAGING INFORMATION, CONNECTOR MATING, SERVICE INSTRUCTIONS, ELECTRICAL CONTINUITY CHECKING, CRIMPING, AND TROUBLESHOOTING.
 - DESIGNED TO MATE WITH DEVICE CONNECTION AS SPECIFIED IN DRAWING EWCAP 150-S-002-1-Z01. AVAILIBLE AT <http://ewcap.uscarteams.org/>.
 - DESIGNED TO MATE WITH BLADE SEALED ASSEMBLY AS SPECIFIED IN DRAWING: SD-34675-001
 - ASSEMBLY SHIPPED WITH TPA IN PRE-LOCK (SEE TPA PRE-LOCK VIEW IN SHEET 4)
 - b. PRODUCT SPECIFICATION SEE: PS-34062-000
 - CONTAINS: SCOPE, PRODUCT DESCRIPTION, INTEGRAL COMPONENTS AND ACCESSORIES, APPLICABLE DOCUMENTS AND SPECIFICATIONS, RATINGS, PERFORMANCE, PACKAGING, GAUGE AND FIXTURES, AND OTHER INFORMATION.
 - c. PACKAGING SPECIFICATION PER MOLEX DRAWING: PK-30907-879
 - d. PARTS MUST BE IN COMPLIANCE TO MOLEX CHEMICAL SUBSTANCES FOR PRODUCTS AND PACKAGING SPECIFICATION: QEHS-699000-301
 - e. DATA MUST BE SUBMITTED UNDER THE MOLEX PART NUMBER TO IMDS (COMPANY ID#13255)
2. DESIGN - MATERIALS:
- a. SEE BOM TABLE IN SD-34062-004
3. DESIGN - GEOMETRY:
- a. THIS IS A 100% CAD GENERATED PART. THE CAD MATHEMATICAL DATA IS THE MASTER FOR THIS PART. FOR DIMENSIONAL OR ANY INFORMATION NOT SHOWN ON THIS DRAWING, ANALYZE THE CAD MODEL.
 - b. GEOMETRIC DIMENSIONS AND TOLERANCES PER ASME Y14.5M - 1994
 - c. EDGES AND UNDIMENSIONED DETAILS PER ISO13715
 - d. CORNERS SHOWN AS SHARP TO BE R 0.2 MAX.
 - e. LETTERING SHALL BE 0.15 MAX RAISED IN 0.25 MAX RECESS PAD. THIS INCLUDES RECYCLING CODE, CAVITY ID, VENDOR IDENTIFICATION, AND CUSTOMER MATERIAL NUMBER.
 - f. VISUAL DEFECTS SHALL MEET COSMETIC STANDARD PS-45499-002 (Class B)
 - g. LASER MARKING: TBD

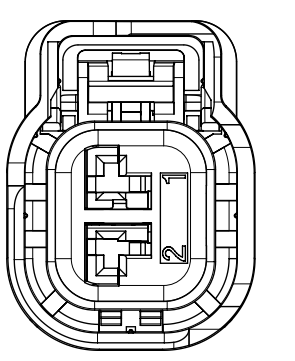
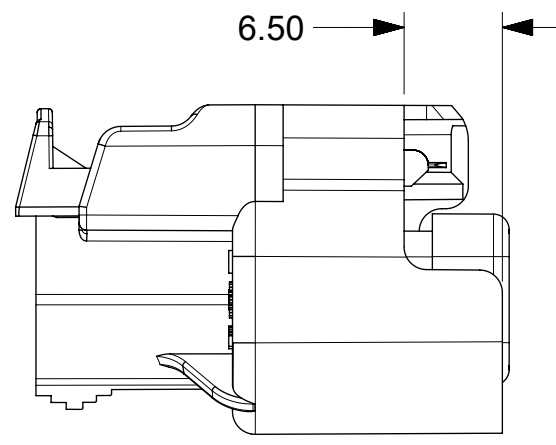


J19	NX RE-MASTERING
J18	ADDED DIM ICD 64
REV.	DESCRIPTION

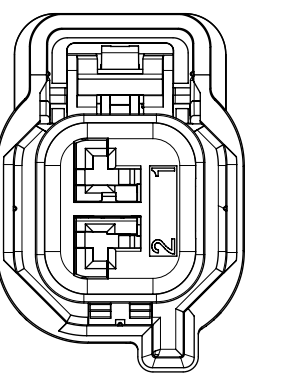
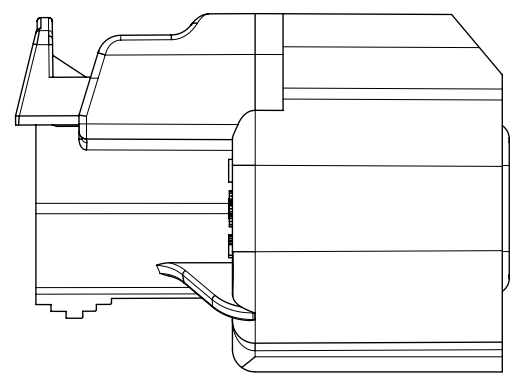
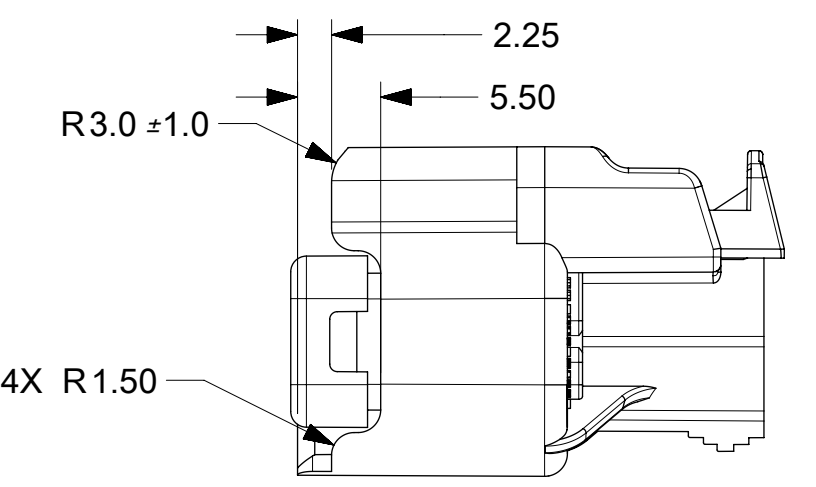
THIS DRAWING CONTAINS INFORMATION THAT IS PROPRIETARY TO MOLEX ELECTRONIC TECHNOLOGIES, LLC AND SHOULD NOT BE USED WITHOUT WRITTEN PERMISSION		DIMENSION UNITS MM		SCALE 4:1			
GENERAL TOLERANCES (UNLESS SPECIFIED)		DRWN BY KCUNNINGHAM		DATE 2011/11/08			
ANGULAR TOL ± 3.0 °		CHKD BY MVANSLAMBROU		DATE 1/26/2012		PRODUCT CUSTOMER DRAWING	
4 PLACES ±		APPR BY KDEKOSKI		DATE 2017/06/14		SERIES 34062	
3 PLACES ±		DRAWING SIZE D		THIRD ANGLE PROJECTION		MATERIAL NUMBER SEE NOTE 2a	
2 PLACES ± 0.1		DRAFT WHERE APPLICABLE MUST REMAIN WITHIN DIMENSIONS		CUSTOMER GENERAL MARKET		DOCUMENT NUMBER SD-34062-002	
1 PLACE ± 0.3		EC NO: 117955 DRWN: PKABBUR CHKD: KDEKOSKI APPR: KDEKOSKI		DOG TYPE PSD		DOG PART 000	
0 PLACES ±		J19		SHEET NUMBER 1 OF 5			

INSPECTION BALLOON NUMBER LOG	
PER DRAWING REVISION:	J18
LAST BALLOON NUMBER USED:	ICD 64
ADDED BALLOON NUMBERS:	ICD 64
REMOVED BALLOON NUMBERS:	ICD 7, ICD 8, ICD 9, ICD 18, ICD 19, ICD 20, ICD 41, ICD 42

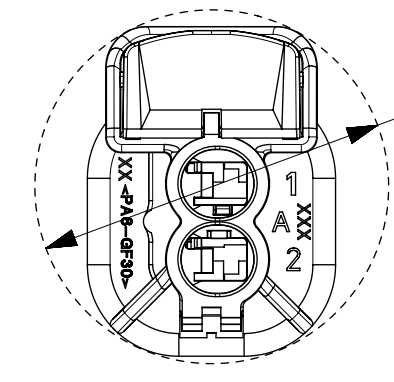
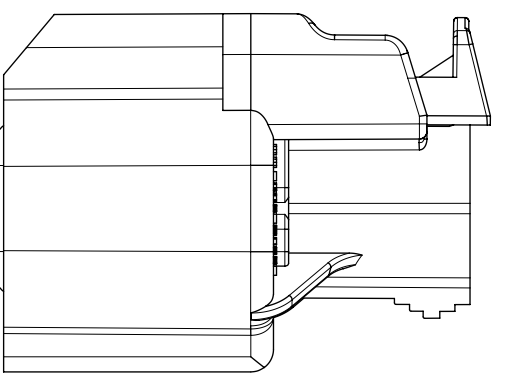
SHEET DESCRIPTION
CONFIGURATIONS



OPTION A

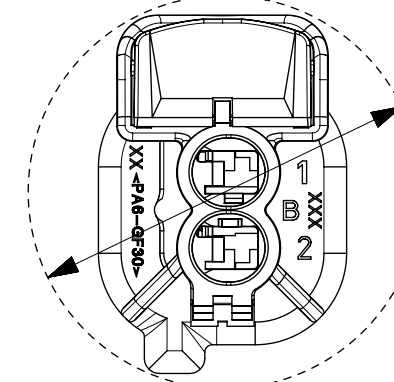


OPTION B



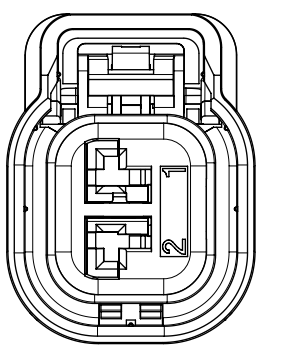
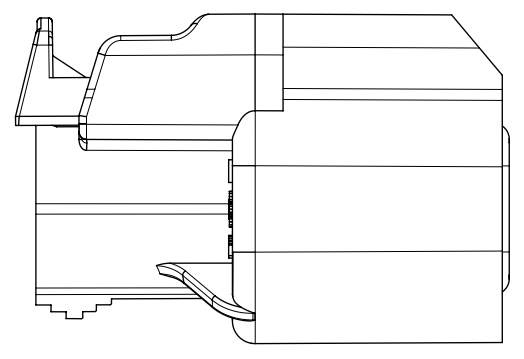
REAR VIEW

Ø23.40
MINIMUM PASS-THRU WITH
NO CLEARANCE
APPLIES TO NON-CLIP SLOT
OPTIONS A, C, D & G

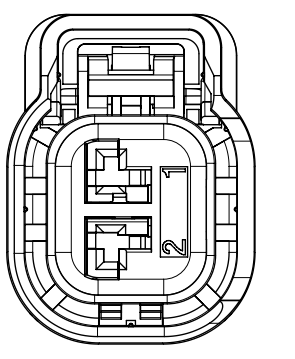
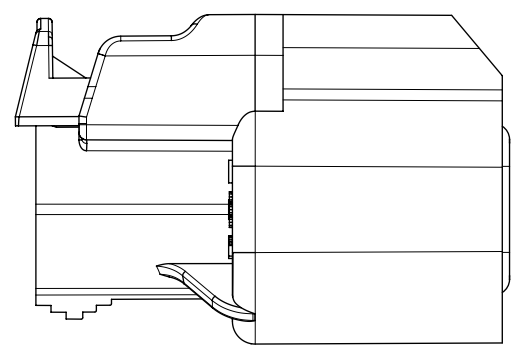
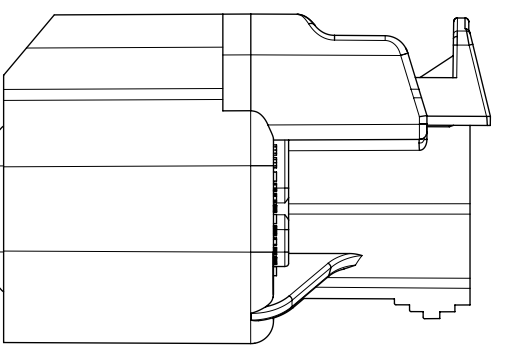


REAR VIEW

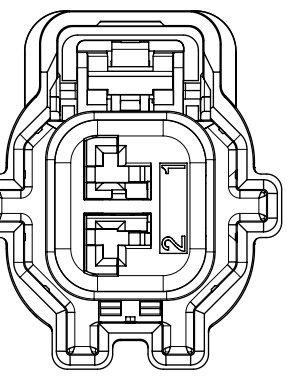
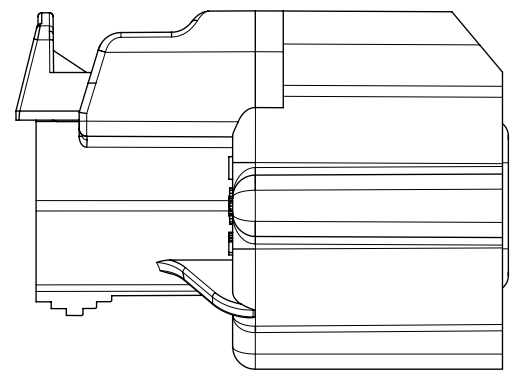
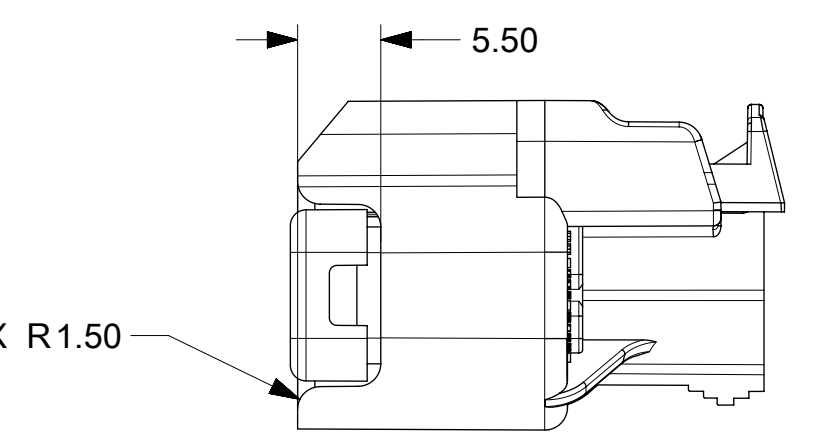
Ø26.00
MINIMUM PASS-THRU WITH
NO CLEARANCE
APPLIES TO NON-CLIP SLOT
OPTIONS B, E & F



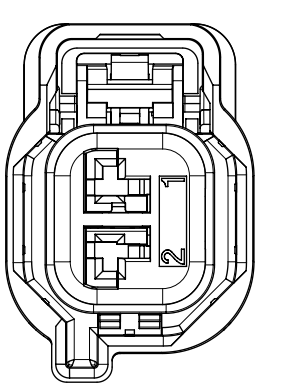
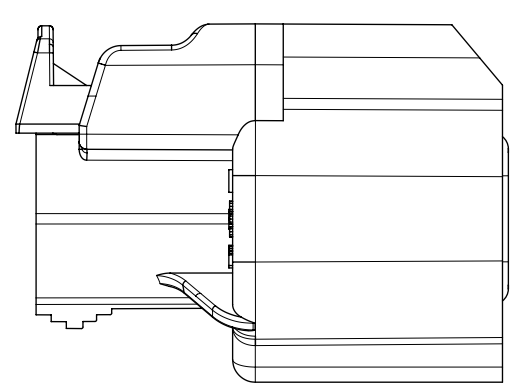
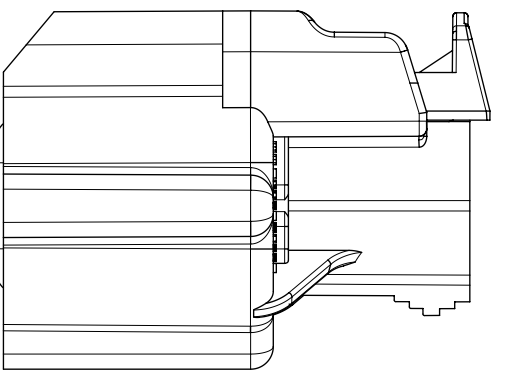
OPTION C



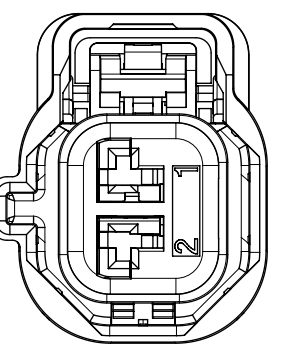
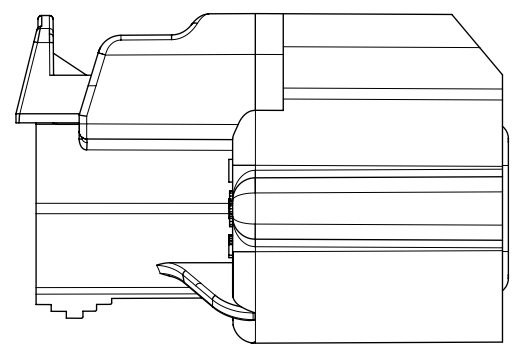
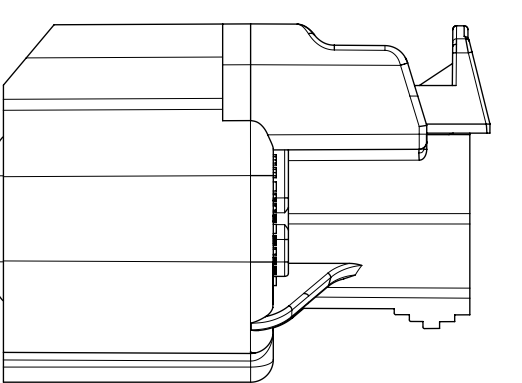
OPTION D



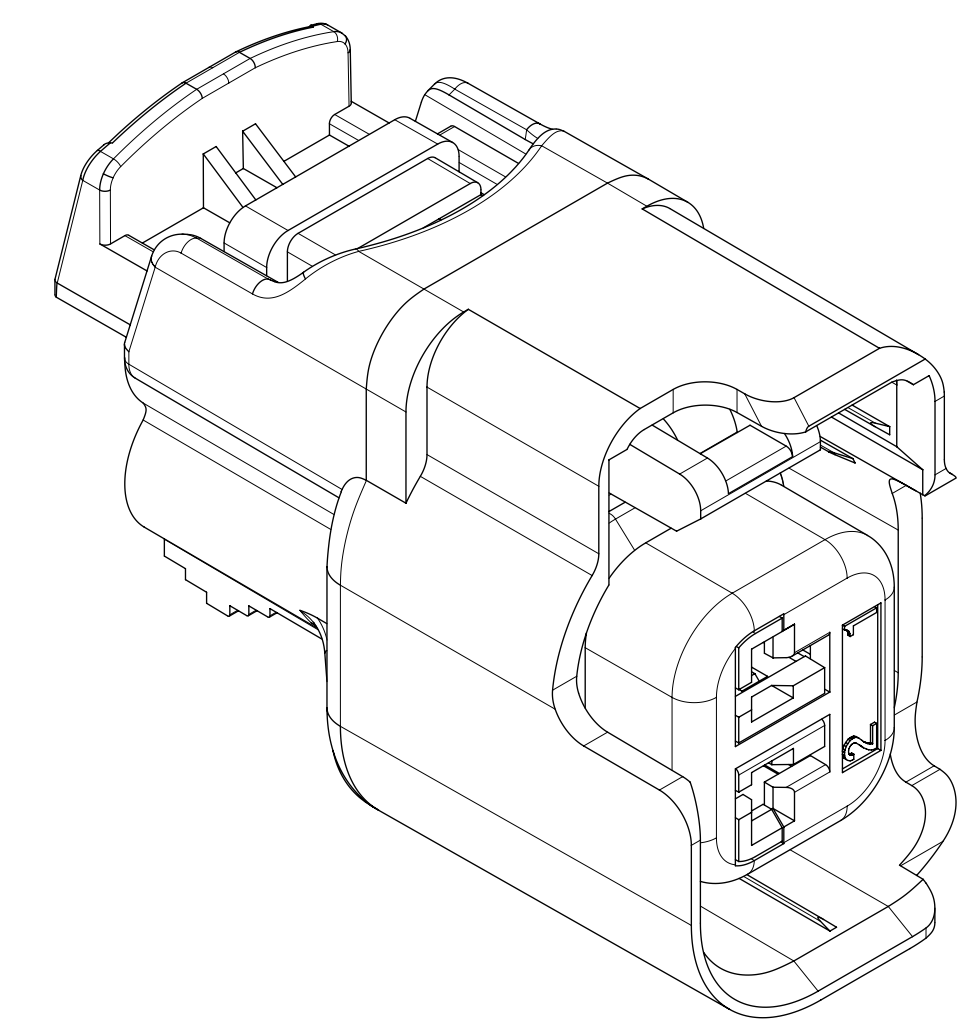
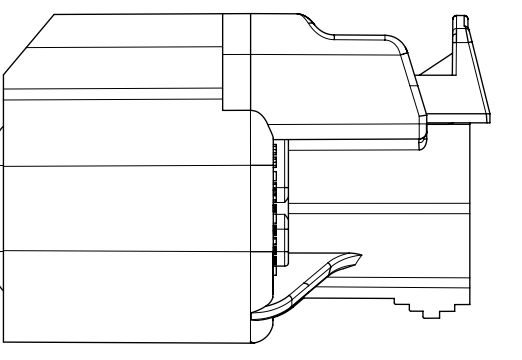
OPTION E



OPTION F



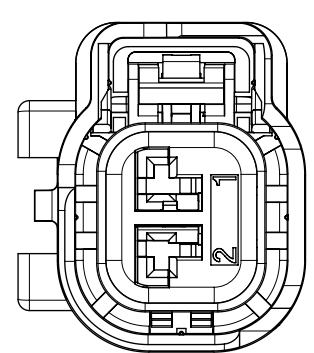
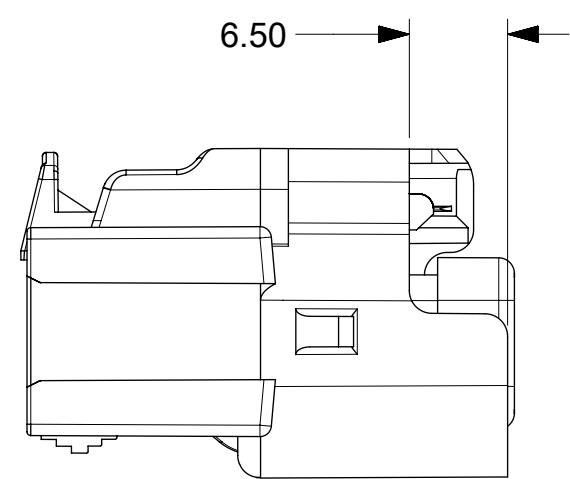
OPTION G



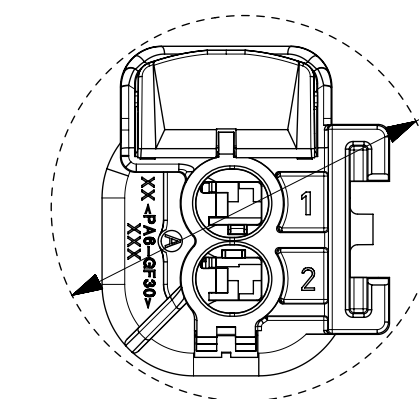
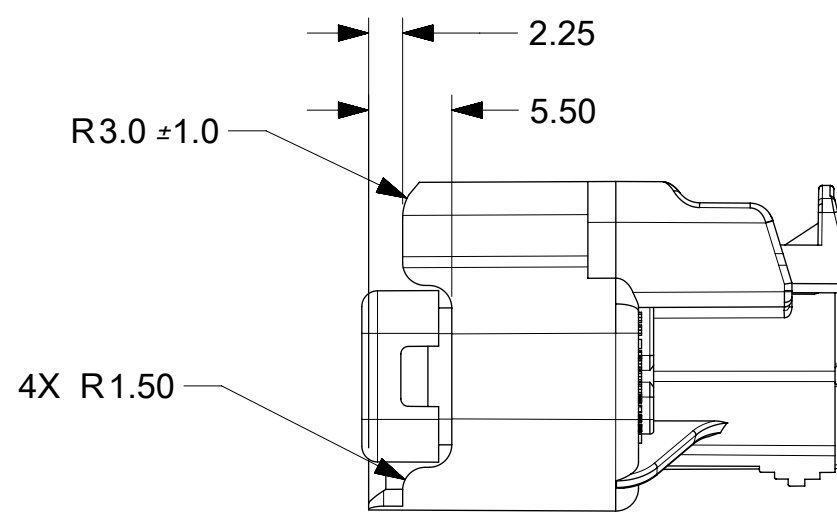
NON CLIP-SLOT OPTION
SCALE 4:1

THIS DRAWING CONTAINS INFORMATION THAT IS PROPRIETARY TO MOLEX ELECTRONIC TECHNOLOGIES, LLC AND SHOULD NOT BE USED WITHOUT WRITTEN PERMISSION											
QUALITY SYMBOLS	EC NO: 117955 DRWN: PKABBUR CHKD: REV: APPR: KDEKOSKI	2017/05/15 2017/06/14	GENERAL TOLERANCES (UNLESS SPECIFIED)		DIMENSION UNITS	SCALE					
			ANGULAR TOL ± 3.0 °		MM	2:1					
▽ = 0	DRAFT WHERE APPLICABLE MUST REMAIN WITHIN DIMENSIONS	D	4 PLACES ±	DRWN BY	DATE	MX150 2 WAY CABLE SEAL RECEPTACLE CONN. SYSTEM (5.0MM PITCH)					
▽ = 0			3 PLACES ±	KCUNNINGHAM	2011/11/08						
▽ = 0			2 PLACES ± 0.1	CHKD BY	DATE	PRODUCT CUSTOMER DRAWING					
▽ = 0			1 PLACE ± 0.3	MVANSLAMBROU	1/26/2012						
▽ = 0			0 PLACES ±	APPR BY	DATE	SERIES	MATERIAL NUMBER	CUSTOMER	GENERAL MARKET		
▽ = 0				KDEKOSKI	2017/06/14	34062	SEE NOTE 2a				
▽ = 0				DRAWING SIZE	THIRD ANGLE PROJECTION	DOCUMENT NUMBER	DOC TYPE	DOC PART	SHEET NUMBER		
						SD-34062-002	PSD	000	2 OF 5		

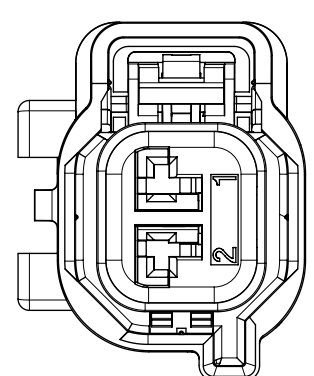
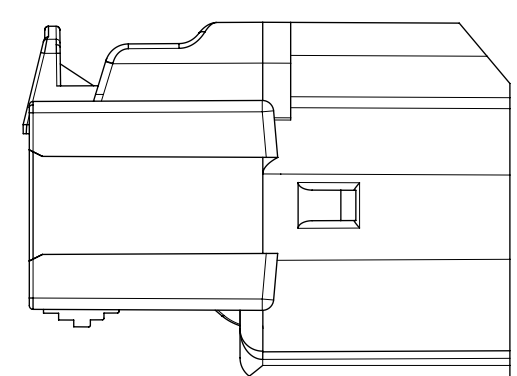
SHEET DESCRIPTION
CONFIGURATIONS



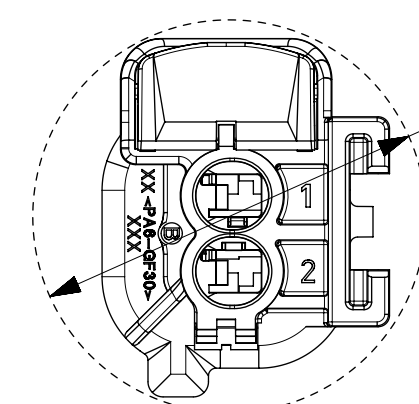
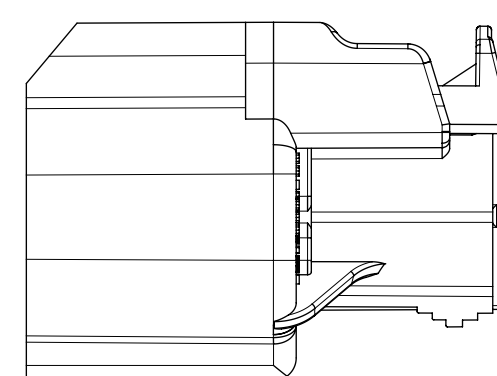
OPTION A W/CLIP-SLOT *



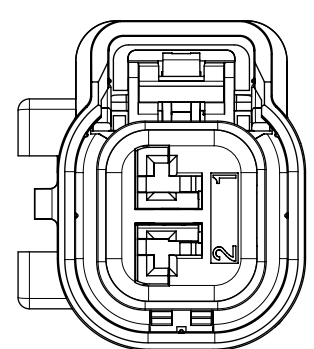
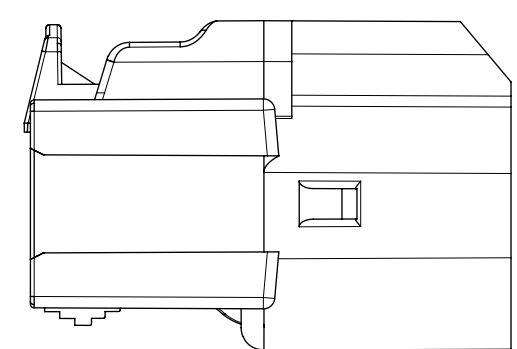
Ø25.50
MINIMUM PASS-THRU WITH
NO CLEARANCE
APPLIES TO CLIP-SLOT
OPTIONS A, C & D



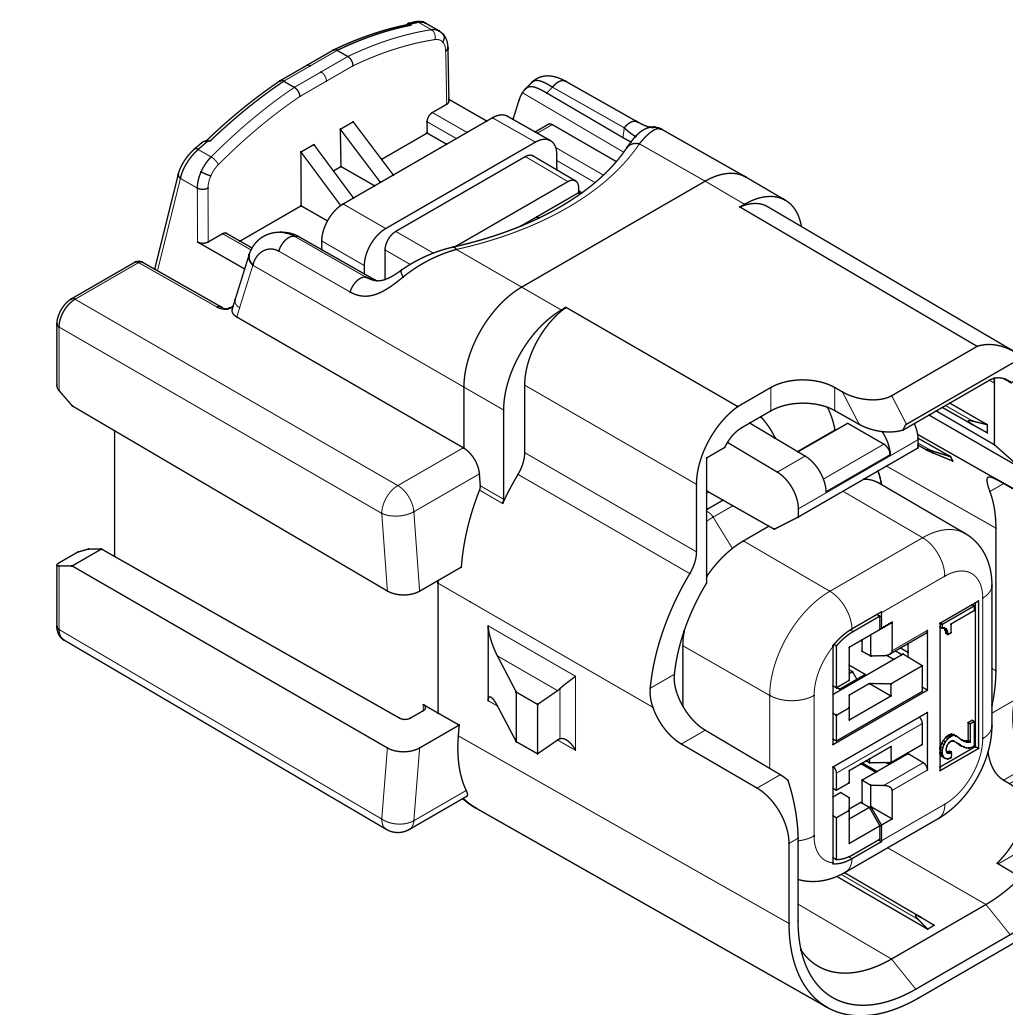
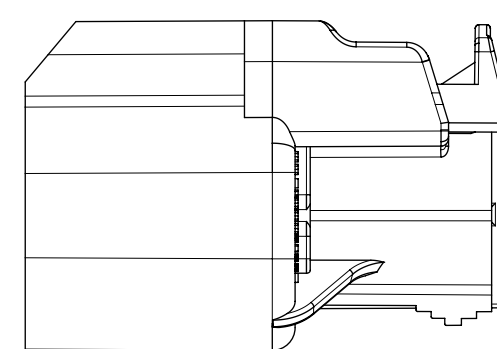
OPTION B W/CLIP-SLOT *



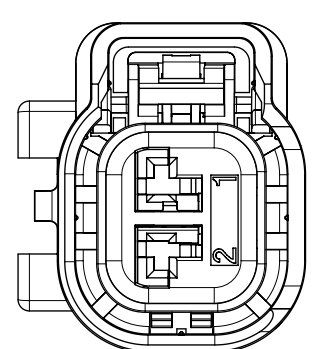
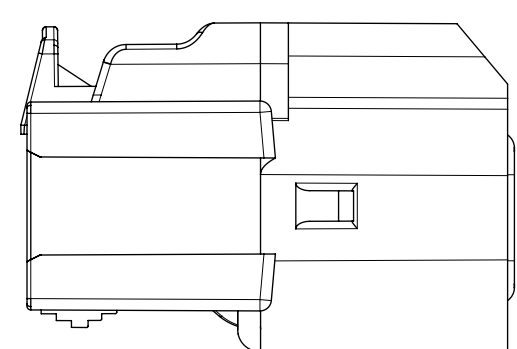
Ø26.00
MINIMUM PASS-THRU WITH
NO CLEARANCE
APPLIES TO CLIP-SLOT
OPTION B



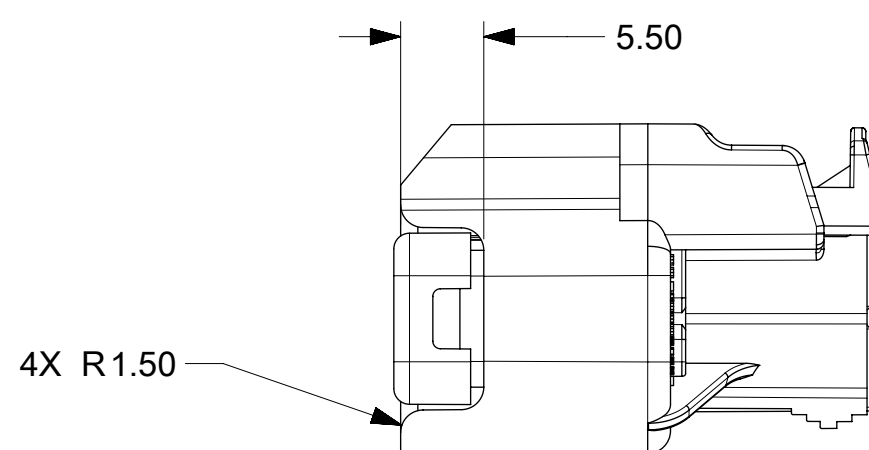
OPTION C W/CLIP-SLOT *



CLIP-SLOT OPTION
SCALE 4:1



OPTION D W/CLIP-SLOT *

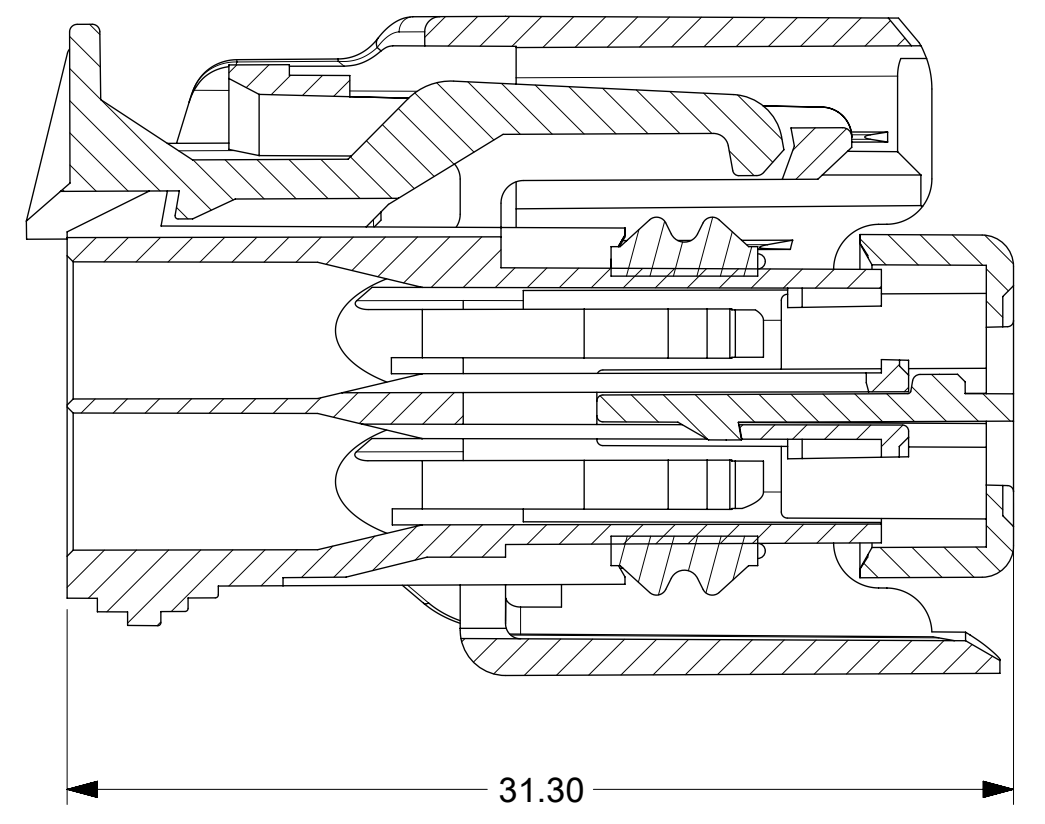
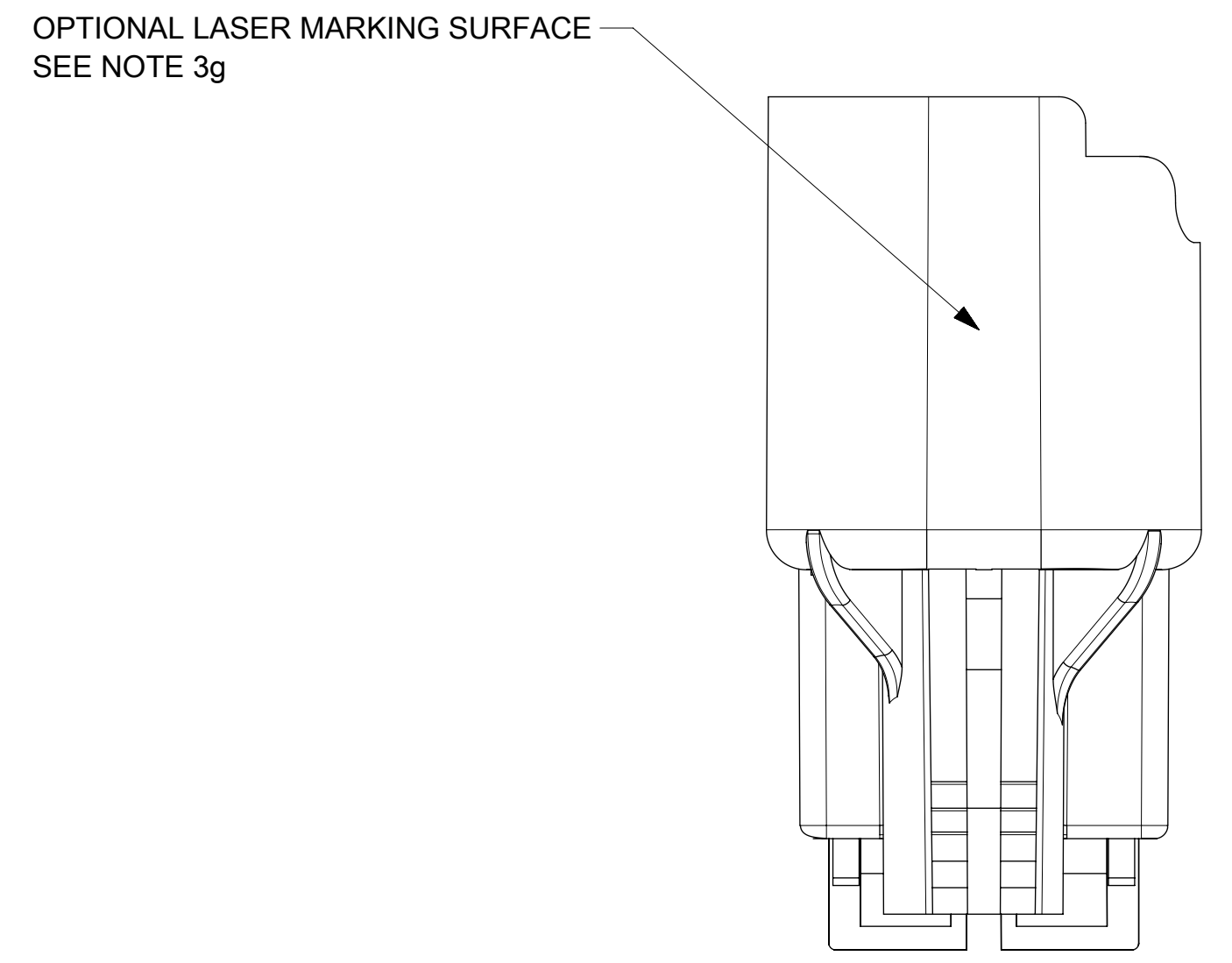
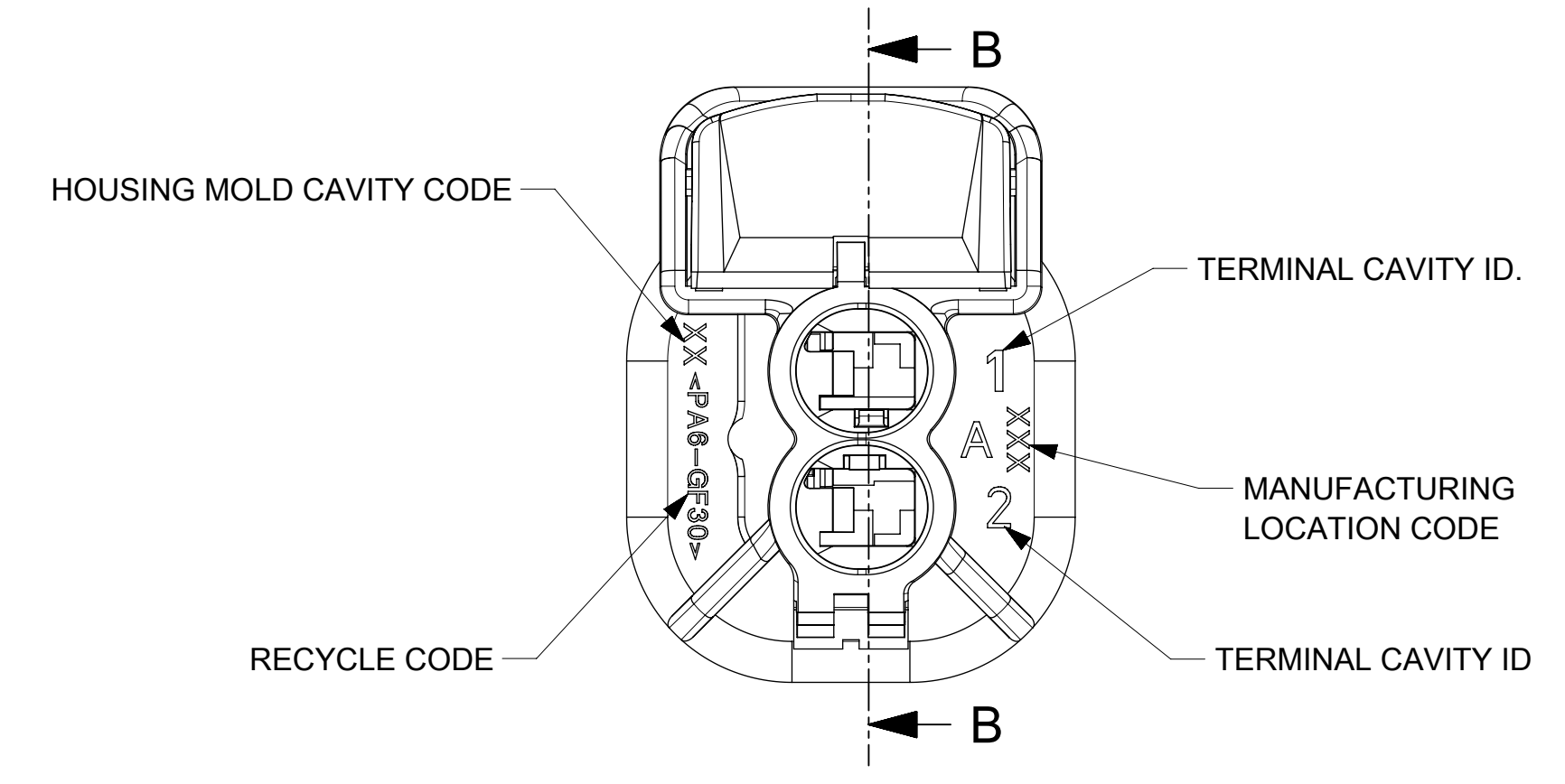
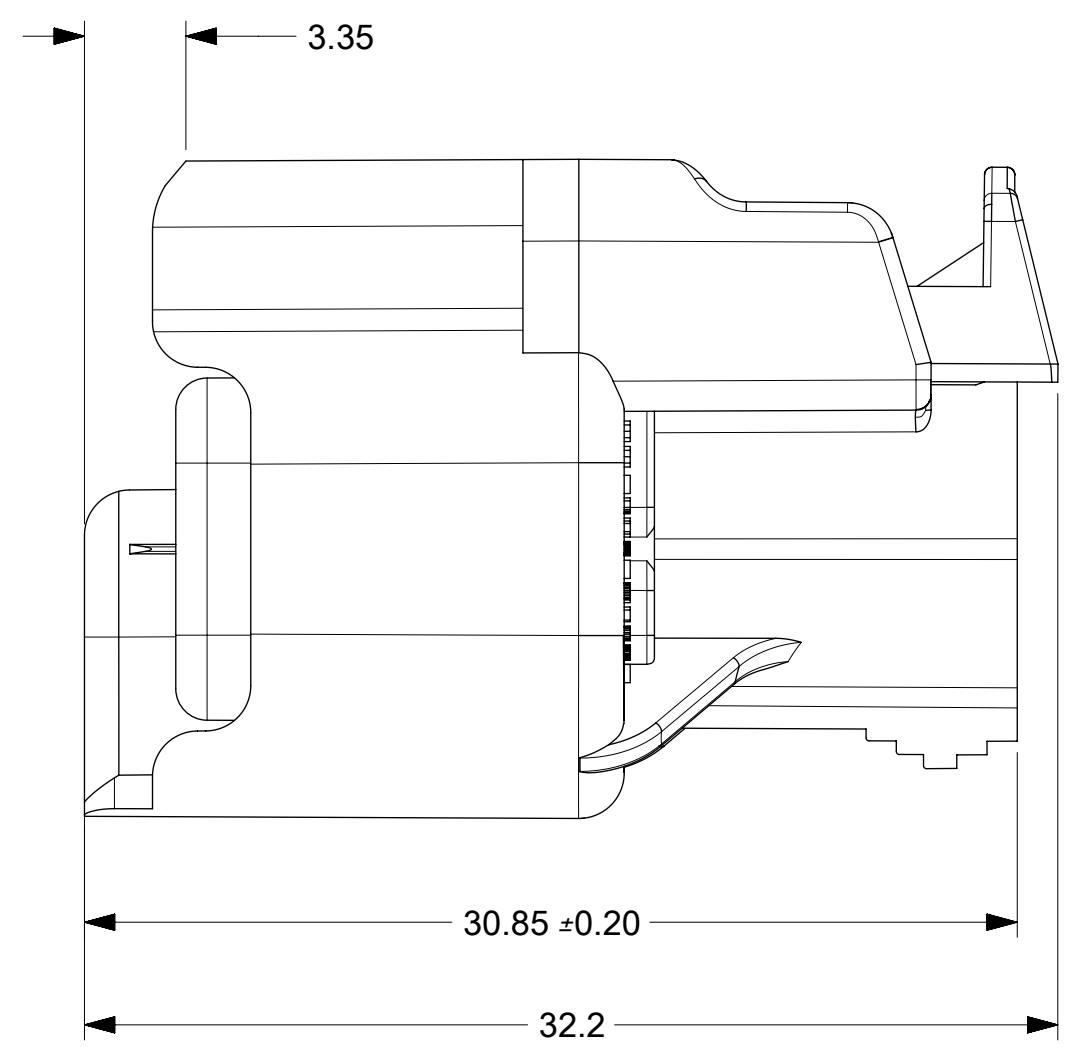
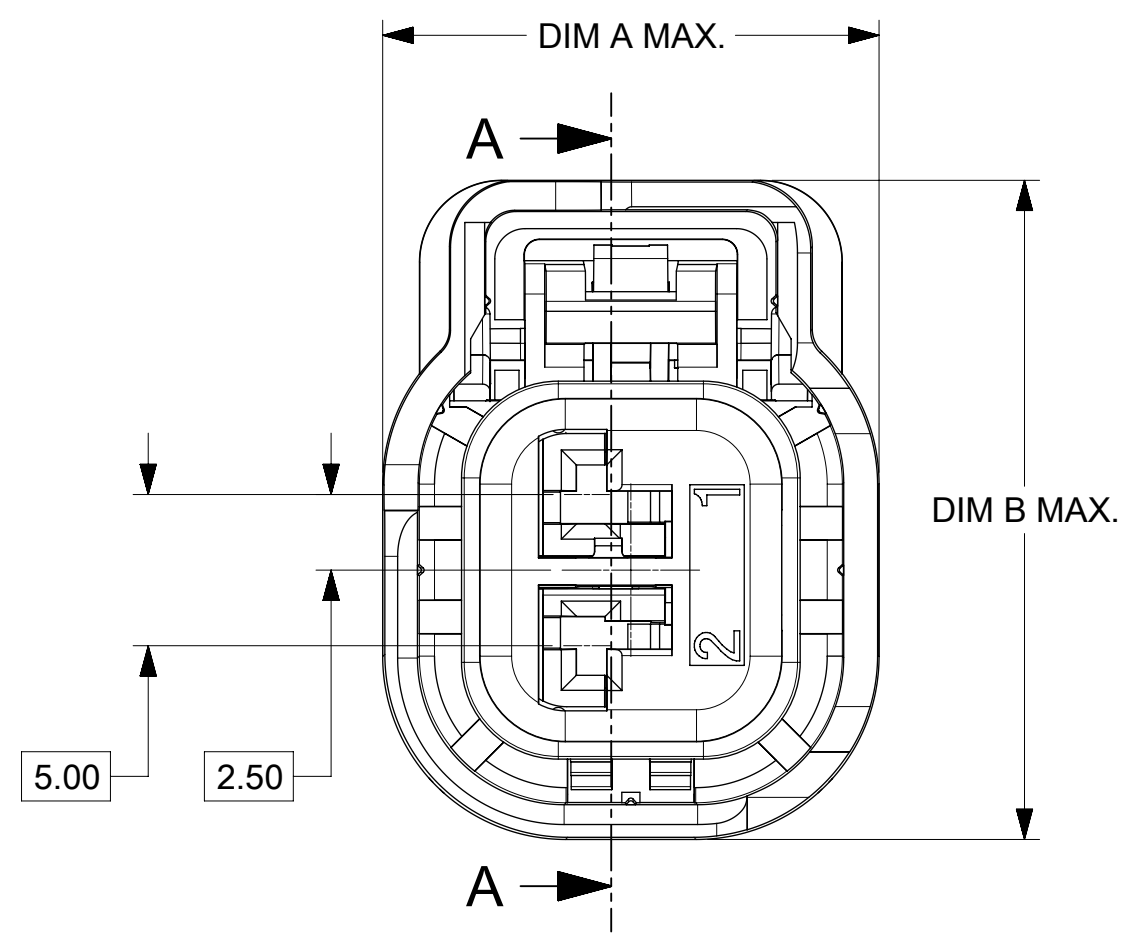
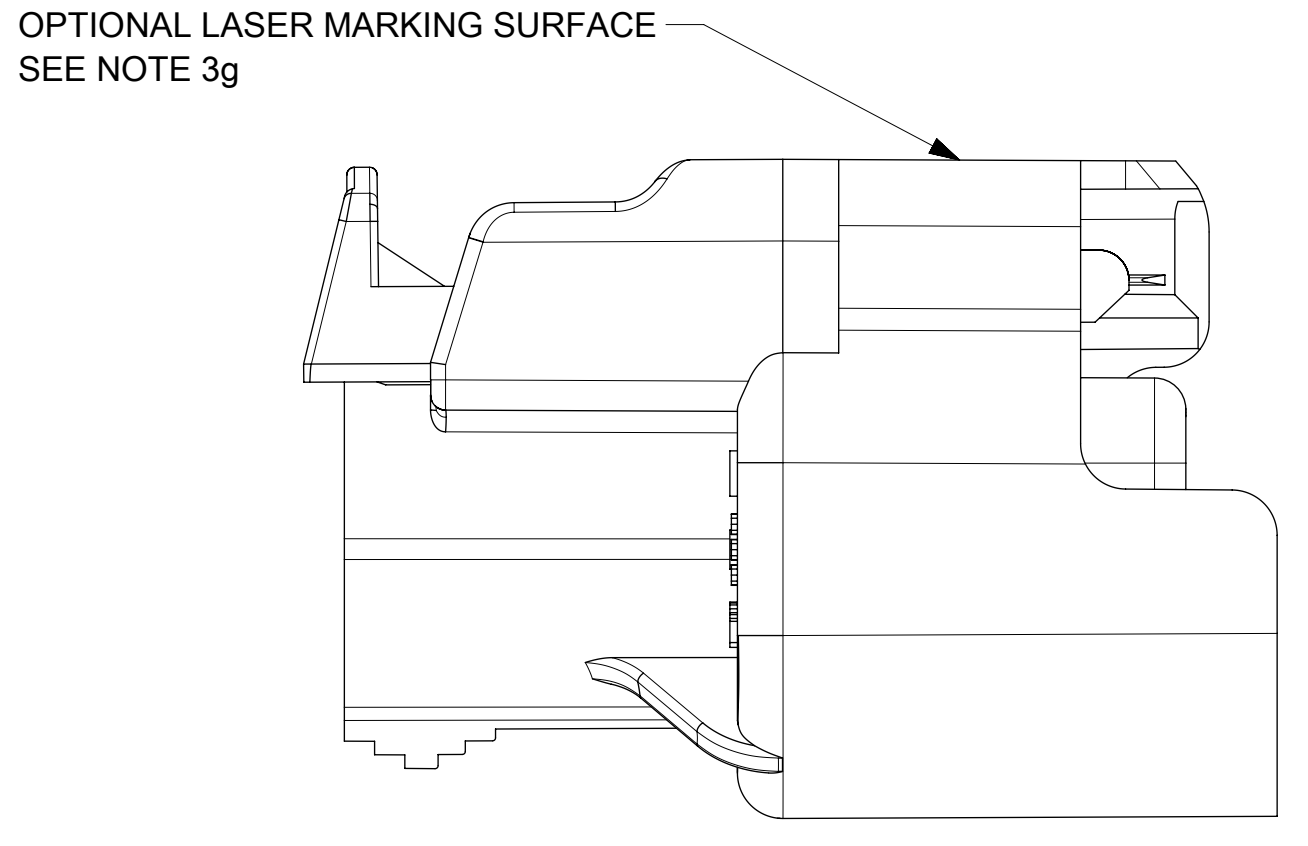


* WITH CLIP-SLOT CONFIGURATIONS
DO NOT MEET USCAR PACKAGING FRAME REQUIREMENTS

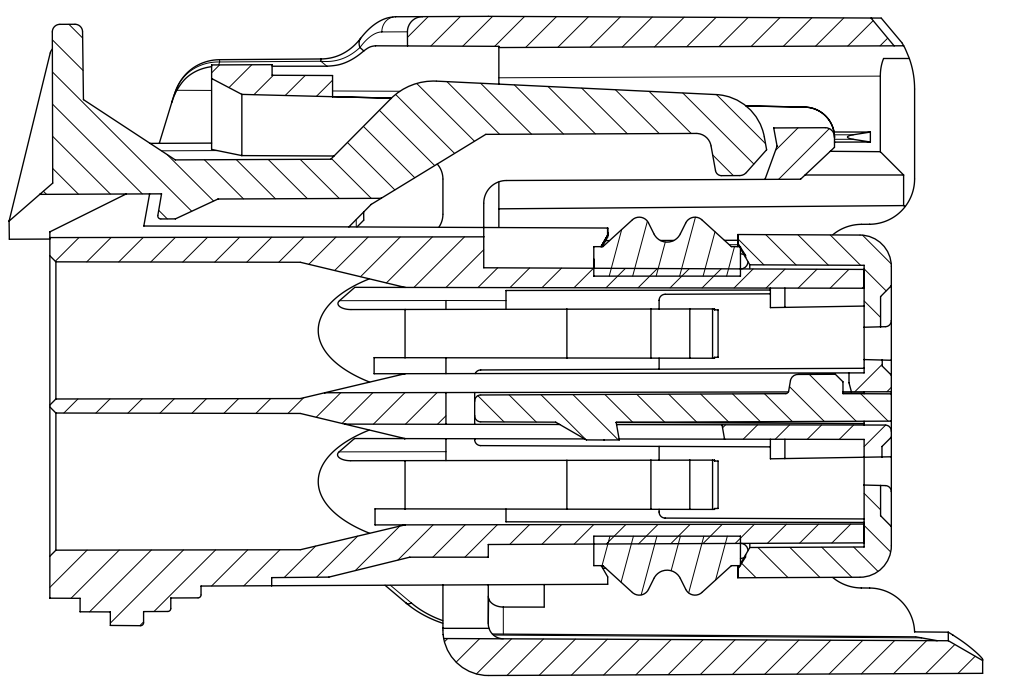
QUALITY SYMBOLS 	THIS DRAWING CONTAINS INFORMATION THAT IS PROPRIETARY TO MOLEX ELECTRONIC TECHNOLOGIES, LLC AND SHOULD NOT BE USED WITHOUT WRITTEN PERMISSION											
	EC NO: 117955	DRWN: PKABBUR	CHKD: KDEKOSKI	REV: APPR: KDEKOSKI	2017/05/15	2017/06/14	GENERAL TOLERANCES (UNLESS SPECIFIED)	DIMENSION UNITS	SCALE			
	4 PLACES ±		3 PLACES ±		2 PLACES ± 0.1		MM		2:1			
	1 PLACE ± 0.3		0 PLACES ±		DRAFT WHERE APPLICABLE MUST REMAIN WITHIN DIMENSIONS		ANGULAR TOL ± 3.0 °		DRWN BY		DATE	
	KDEKOSKI		2017/06/14		KCUNNINGHAM		2011/11/08		CHKD BY		DATE	
	MVANSLAMBROU		1/26/2012		APPR BY		DATE		SERIES		MATERIAL NUMBER	
	KDEKOSKI		2017/06/14		DRAFTING SIZE		THIRD ANGLE PROJECTION		34062		SEE NOTE 2a	
	GENERAL MARKET		CUSTOMER		DOCUMENT NUMBER		DOC TYPE		DOC PART		SHEET NUMBER	
	3 OF 5		PSD		000		000		000		000	
	3 OF 5		PSD		000		000		000		000	

SHEET DESCRIPTION	
RECEPTACLE CONNECTOR ASSEMBLY	

CHARTED DIMENSIONS		
CONFIGURATIONS	DIMENSIONS	
	A	B
OPTIONS A, C, D	16.6	22.0
OPTION B	16.6	23.9
OPTION E	20.2	23.9
OPTION F	16.6	23.9
OPTION G	18.4	22.0
OPTIONS A, C, D W/CLIP-SLOT	19.2	22.0
OPTION B W/CLIP-SLOT	19.2	23.9



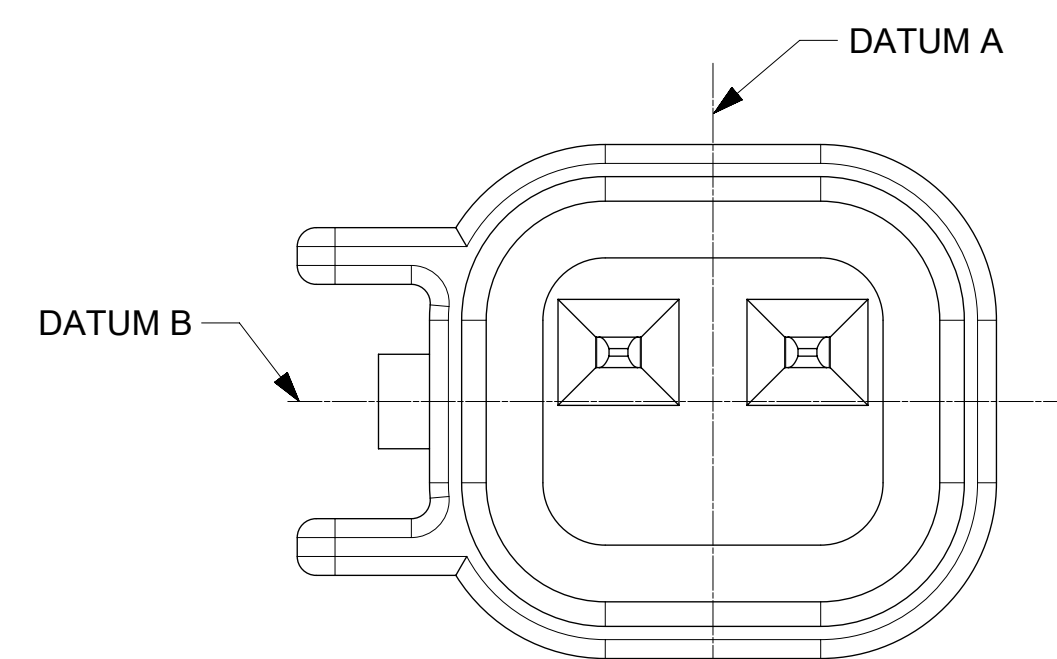
SECTION A-A
TPA SHOWN IN THE
PRE-STAGED POSITION



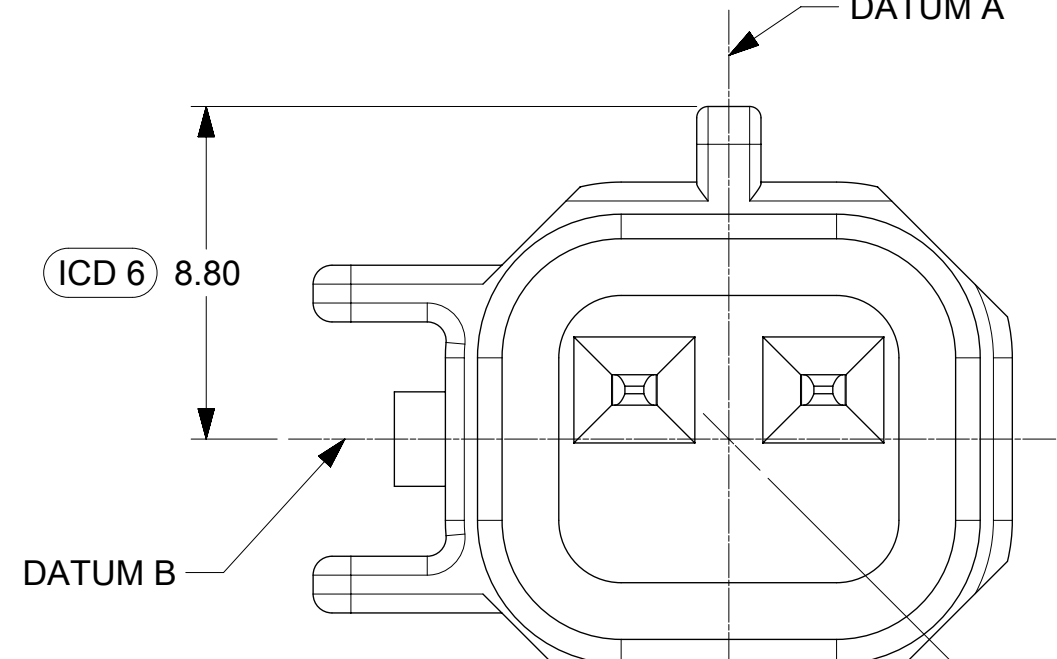
SECTION B-B
TPA SHOWN IN
FINAL-LOCK POSITION

THIS DRAWING CONTAINS INFORMATION THAT IS PROPRIETARY TO MOLEX ELECTRONIC TECHNOLOGIES, LLC AND SHOULD NOT BE USED WITHOUT WRITTEN PERMISSION														
QUALITY SYMBOLS		2017/05/15		2017/06/14		GENERAL TOLERANCES (UNLESS SPECIFIED)		DIMENSION UNITS		SCALE				
▽ = 0	▽ = 0	▽ = 0	▽ = 0	▽ = 0	▽ = 0	▽ = 0	▽ = 0	MM	4:1	molex®				
▽ = 0	▽ = 0	▽ = 0	▽ = 0	▽ = 0	▽ = 0	▽ = 0	▽ = 0	DRWN BY	DATE	MX150 2 WAY CABLE SEAL RECEPTACLE CONN. SYSTEM (5.0MM PITCH)				
▽ = 0	▽ = 0	▽ = 0	▽ = 0	▽ = 0	▽ = 0	▽ = 0	▽ = 0	KCUNNINGHAM	2011/11/08	PRODUCT CUSTOMER DRAWING				
▽ = 0	▽ = 0	▽ = 0	▽ = 0	▽ = 0	▽ = 0	▽ = 0	▽ = 0	CHKD BY	DATE	SERIES	MATERIAL NUMBER	CUSTOMER		
▽ = 0	▽ = 0	▽ = 0	▽ = 0	▽ = 0	▽ = 0	▽ = 0	▽ = 0	MVANSLAMBROU	1/26/2012	34062	SEE NOTE 2a	GENERAL MARKET		
▽ = 0	▽ = 0	▽ = 0	▽ = 0	▽ = 0	▽ = 0	▽ = 0	▽ = 0	APPR BY	DATE	DOCUMENT NUMBER				
▽ = 0	▽ = 0	▽ = 0	▽ = 0	▽ = 0	▽ = 0	▽ = 0	▽ = 0	KDEKOSKI	2017/06/14	SD-34062-002				
▽ = 0	▽ = 0	▽ = 0	▽ = 0	▽ = 0	▽ = 0	▽ = 0	▽ = 0	DRAWING SIZE		THIRD ANGLE PROJECTION		DOC TYPE	DOC PART	SHEET NUMBER
▽ = 0	▽ = 0	▽ = 0	▽ = 0	▽ = 0	▽ = 0	▽ = 0	▽ = 0	D		⊕		PSD	000	4 OF 5
▽ = 0	▽ = 0	▽ = 0	▽ = 0	▽ = 0	▽ = 0	▽ = 0	▽ = 0	EC NO: 117965	DRWN: PKABBUR	CHKD: KDEKOSKI	REV: APPR: KDEKOSKI	J19		
▽ = 0	▽ = 0	▽ = 0	▽ = 0	▽ = 0	▽ = 0	▽ = 0	▽ = 0	DRAFT WHERE APPLICABLE MUST REMAIN WITHIN DIMENSIONS						

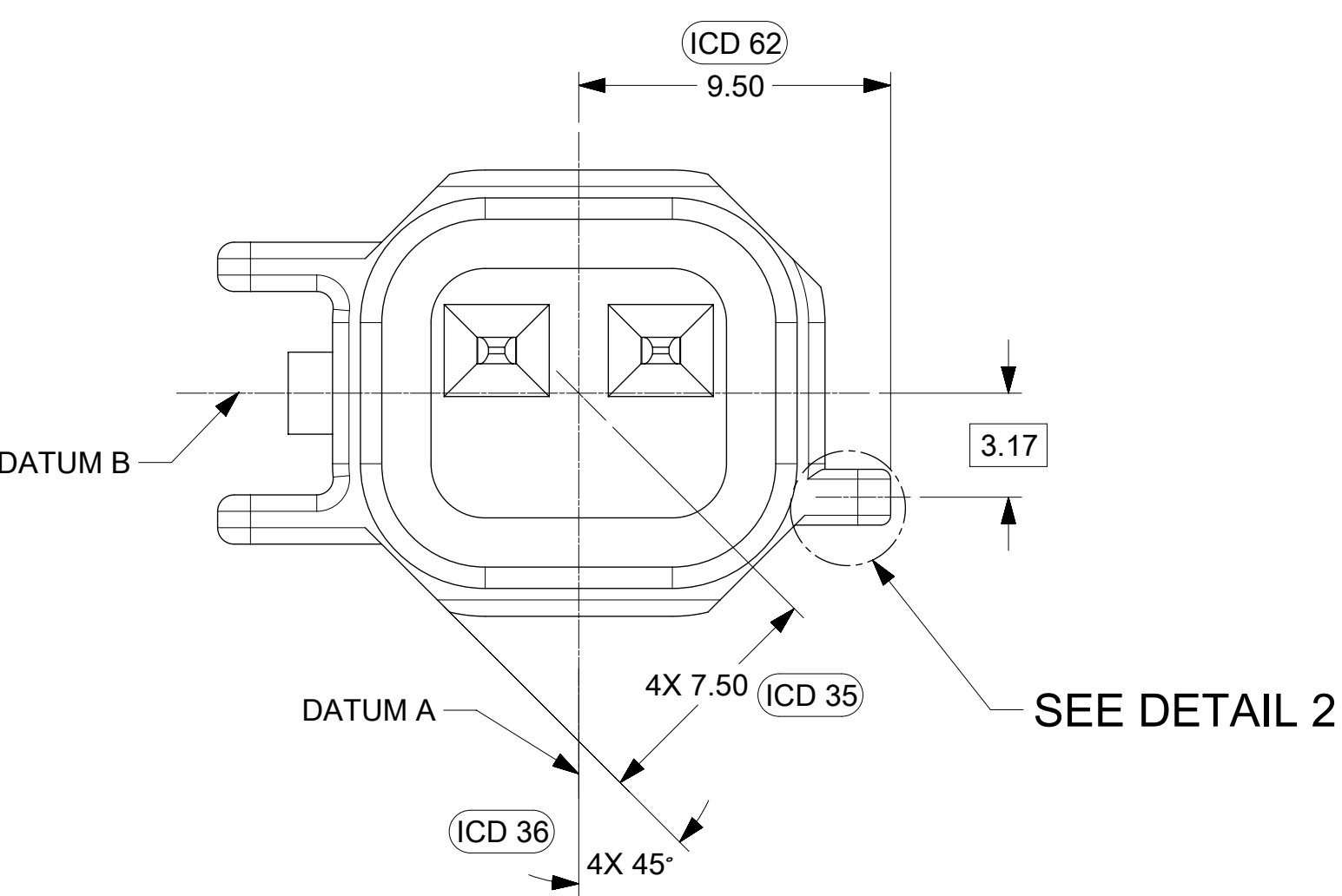
RELEASE STATUS	RELEASE DATE



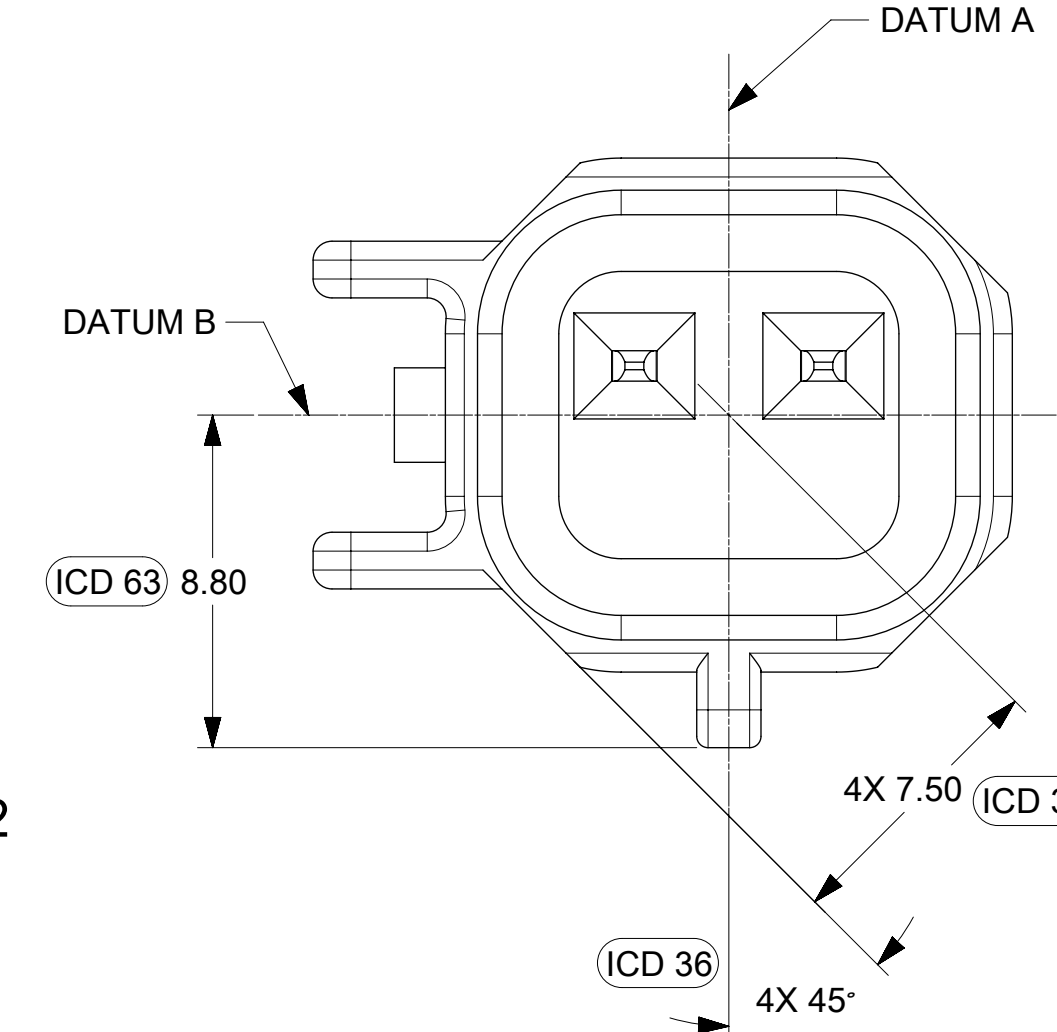
OPTIONS A, C, D
(SAME INTERFACE)



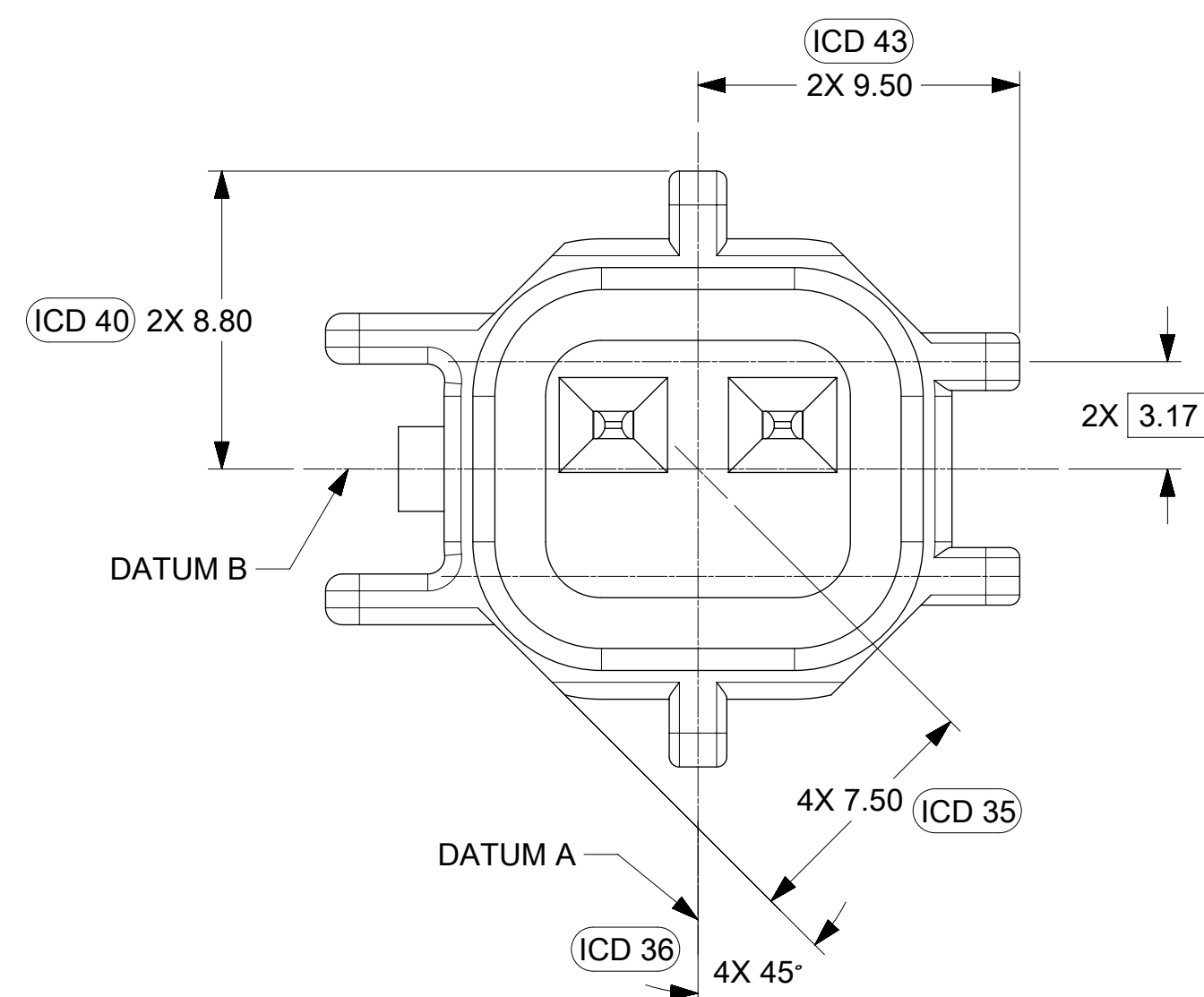
OPTION G



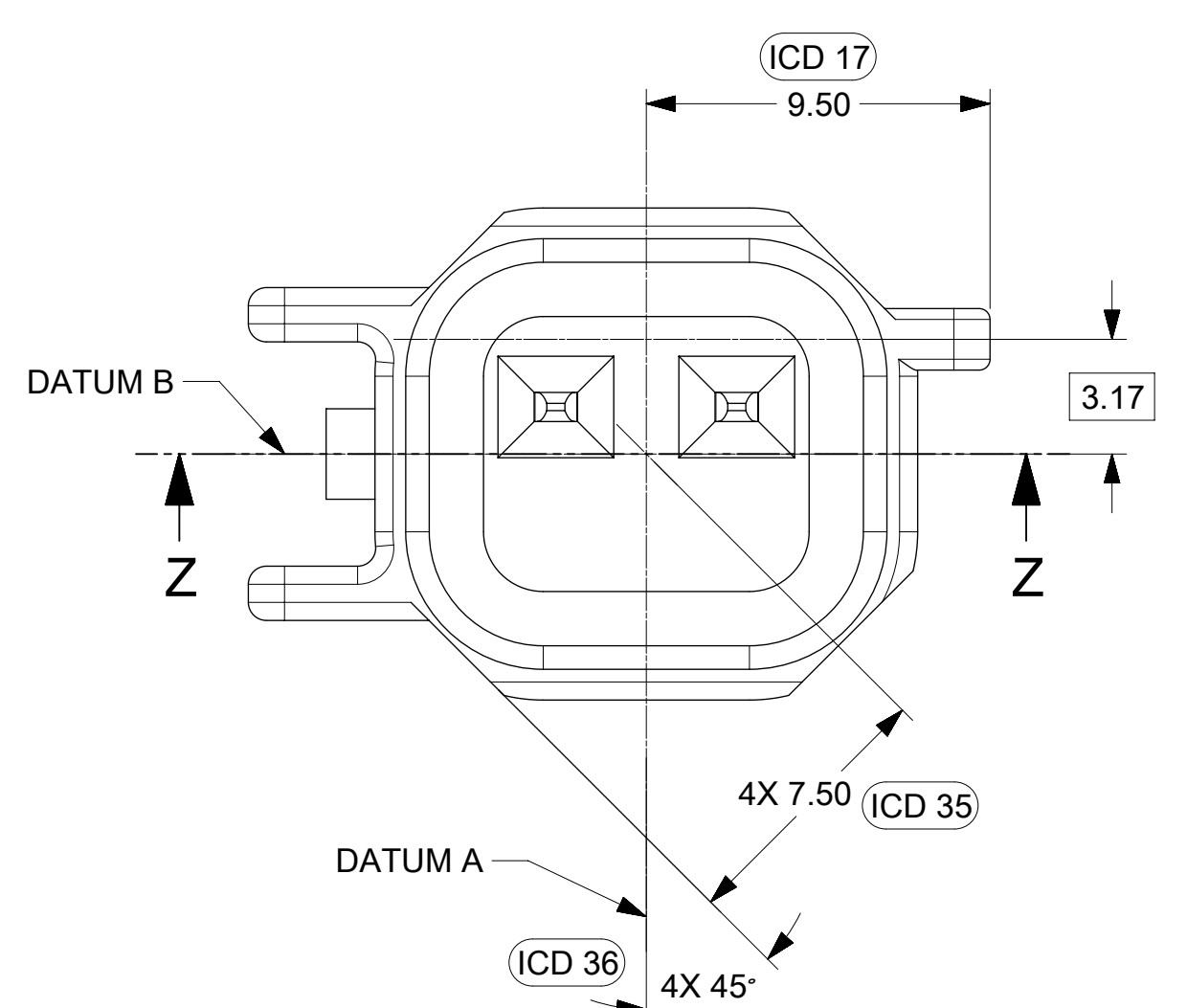
OPTION B



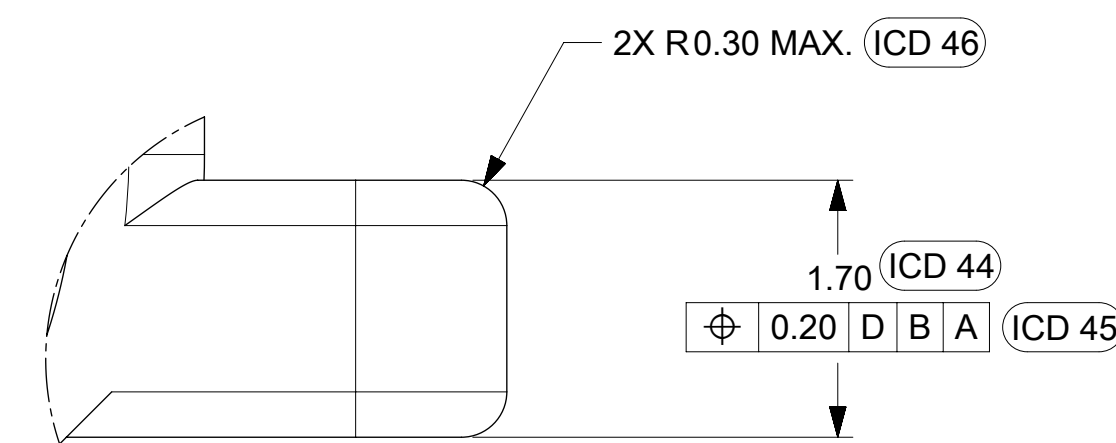
OPTION H



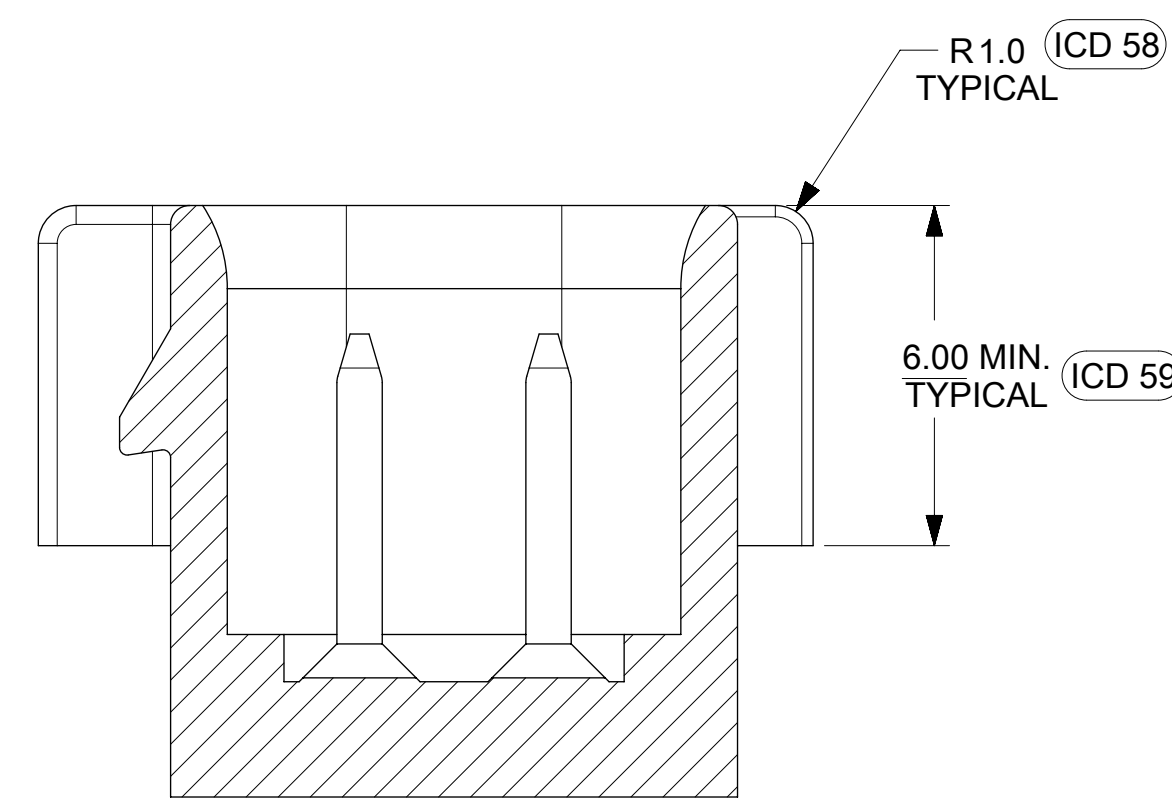
OPTION E



OPTION F

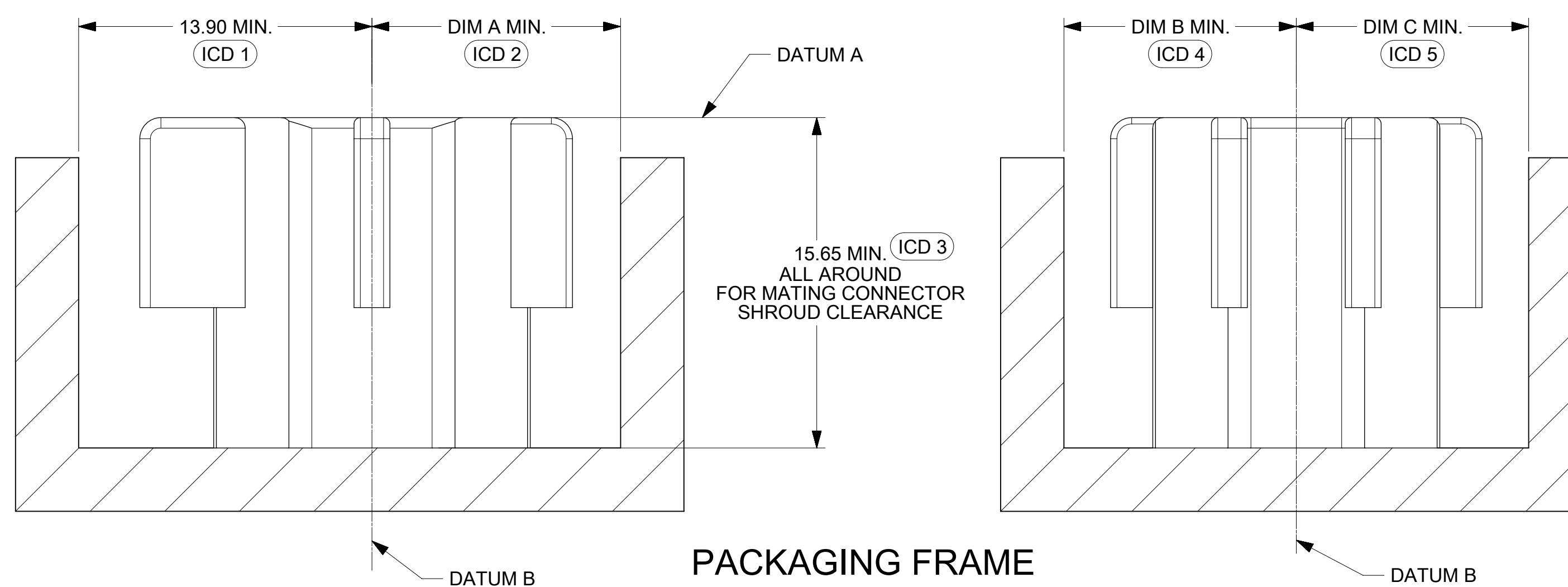


DETAIL 2
SCALE 20:1
TYPICAL
SEE KEYING OPTIONS VIEWS FOR POSITIONS



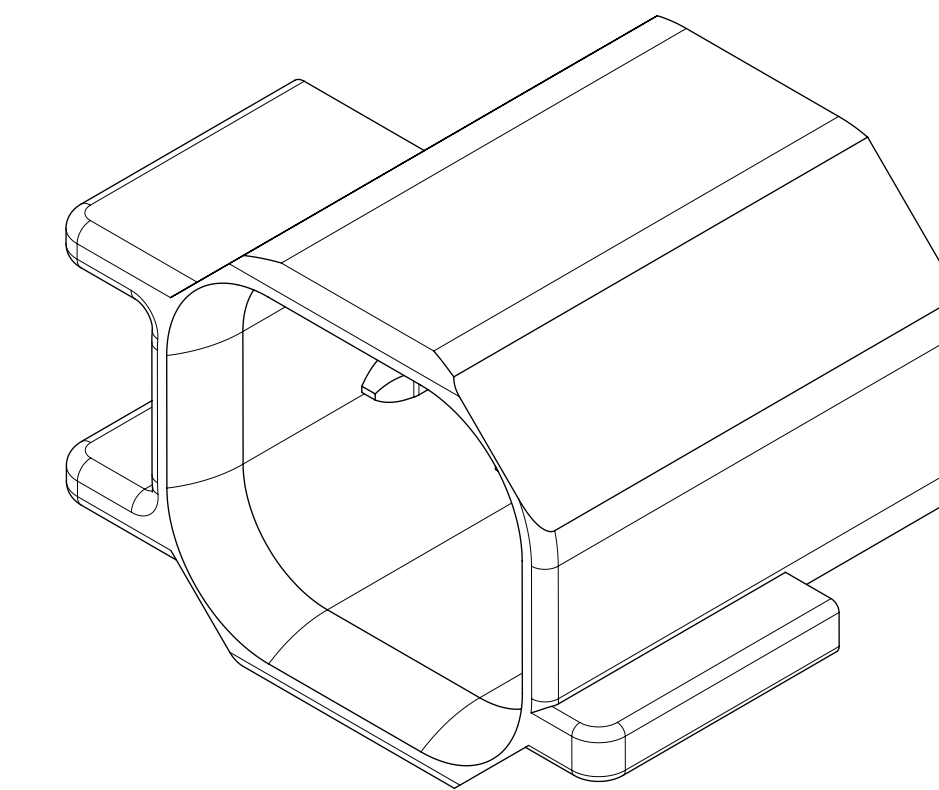
SECTION Z-Z
SEE KEYING OPTION VIEWS FOR POSITIONS

IF A HEADER IS RECESSED INTO A POCKET, THESE DIMENSIONS REPRESENT THE MINIMUM CLEARANCE REQUIRED FOR THE MATING CONNECTOR SHROUD.

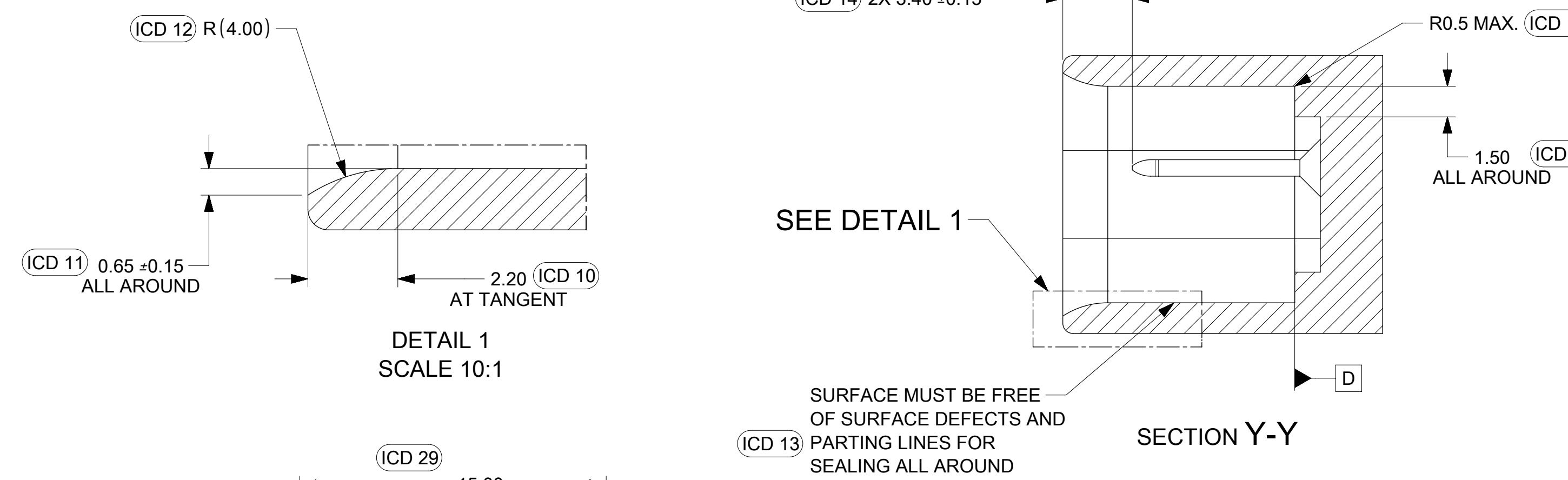


PACKAGING FRAME

KEY OPTION	DIMENSIONS		
	DIM A	DIM B	DIM C
A, C, D	9.90	9.20	9.20
B	11.80	9.20	9.20
E	11.80	11.00	11.00
F	11.80	9.20	9.20
G	9.90	9.20	11.00
H	9.90	11.00	9.20

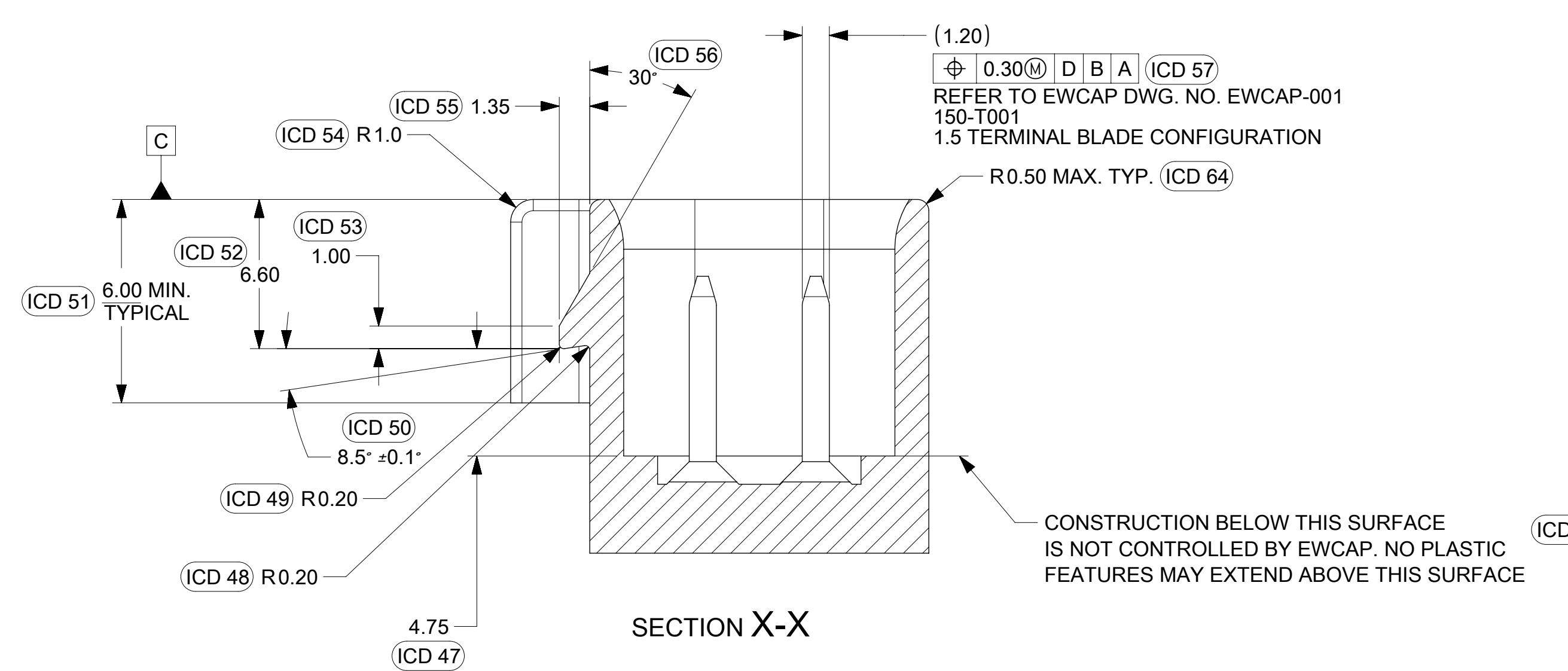
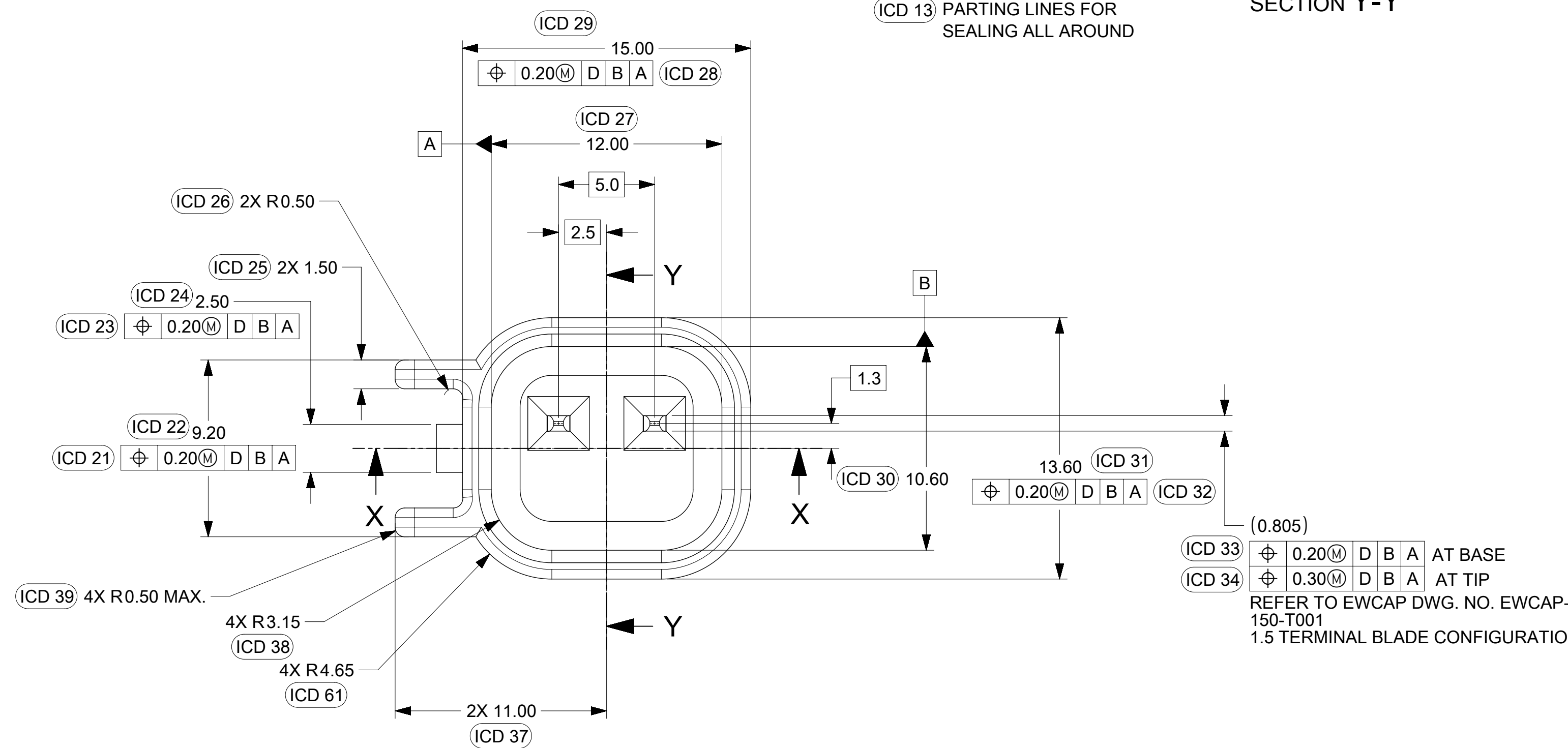


OPTION B



DETAIL 1
SCALE 10:1

SECTION Y-Y



SECTION X-X

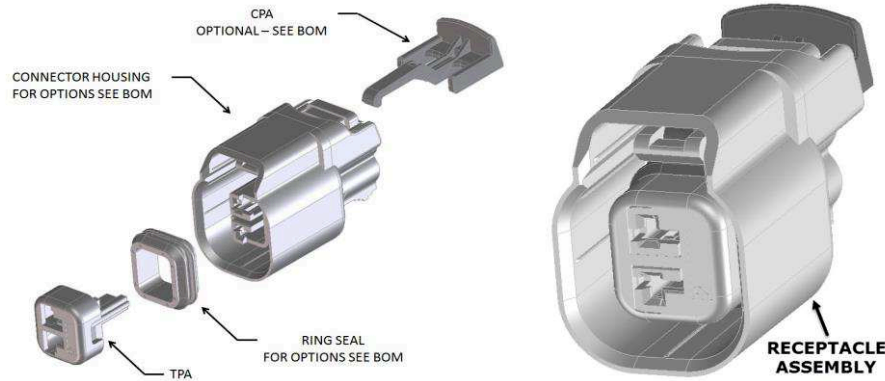
NOTES: UNLESS OTHERWISE SPECIFIED

- ALL DIMENSIONS SHOWN IN MILLIMETERS.
- DIMENSIONING AND TOLERANCING PER ASME Y14.5M-1994
- 0.25 RADII ON ALL CORNERS SHOWN SHARP.
- UNSPECIFIED RADII: 0.25 EXCEPT AS NOTED.
- STANDARD COLORS FOR POLARIZATION (SEE CHART). DEVIATION REQUIRES APPROVAL OF AUTHORIZED PERSON.
- REFER TO SAE/USCAR 12 CONNECTOR GUIDELINES FOR ADDITIONAL REQUIREMENTS.
- EXCEPT WHERE NOTED, DRAFT ON OUTSIDE SURFACES IS PERMISSIBLE WITHIN TOLERANCE.
- SYMBOL INDICATES DRAFT DIRECTION.
- FOR TERMINAL MATERIAL, DIMENSIONAL, AND COATING REQUIREMENTS AND ANY BLADE TERMINAL DESIGN INFORMATION NOT SHOWN ON THIS DRAWING SEE EWCAP DWG. NO. EWCAP-001
- A FULL SHROUD ON THE MATING CONNECTOR IS REQUIRED TO ENSURE THAT THE CONNECTOR-HEADER POLARIZATION FEATURES (OPTIONS A THRU H) WILL FUNCTION. THE FULL SHROUD ALSO PREVENTS SCOOP DAMAGE TO THE HEADER PINS. REFER TO SAE/USCAR-12 CONNECTOR DESIGN GUIDE LINES FOR ADDITIONAL INFORMATION.
- REFER TO USCAR/EWCAP PART LIST AS FOUND ON WEBSITE <http://www.uscarteams.org>
- THIS IS A 100% CAD GENERATED PART. THE CAD MATHEMATICAL DATA IS THE MASTER FOR THIS PART. FOR DIMENSIONAL OR ANY INFORMATION NOT SHOWN ON THIS DRAWING, ANALYZE THE CAD MODEL.

QUALITY SYMBOLS		THIS DRAWING CONTAINS INFORMATION THAT IS PROPRIETARY TO MOLEX ELECTRONIC TECHNOLOGIES, LLC AND SHOULD NOT BE USED WITHOUT WRITTEN PERMISSION		DIMENSION UNITS		SCALE			
∇	= 0	EC NO: 117955 DRWN: PKABBUR CHKD: KDEKOSKI REV APPR: 2017/05/15 2017/06/14	GENERAL TOLERANCES (UNLESS SPECIFIED) ANGULAR TOL $\pm 3.0^\circ$ 4 PLACES \pm 3 PLACES \pm 2 PLACES ± 0.1 1 PLACE ± 0.3 0 PLACES \pm	MM	5:1	<div style="text-align: center;">molex</div> MX150 2 WAY CABLE SEAL RECEPTACLE CONN. SYSTEM (5.0MM PITCH)			
∇	= 0			DRWN BY	DATE				
∇	= 0			CHK'D BY	DATE				
∇	= 0			APPR BY	DATE				
∇	= 0			DRAWING SIZE	THIRD ANGLE PROJECTION				
∇	= 0			DRAFT WHERE APPLICABLE MUST REMAIN WITHIN DIMENSIONS					
∇	= 0	J19 KUNNINGHAM 2011/11/08 MVANSLAMBROU 1/26/2012 KDEKOSKI 2017/06/14		PRODUCT CUSTOMER DRAWING		SERIES	MATERIAL NUMBER	CUSTOMER	
				34062	N/A	GENERAL MARKET			
				DOCUMENT NUMBER	DOC TYPE	DOC PART	SHEET NUMBER		
				SD-34062-002	PSD	000	5 OF 5		

OPTION	COLOR	SIMILAR TO AFL DRAWING R63461 (OPTION GEOMETRY IDENTICAL)	COMMENTS
A, C, D	BLACK	A	
B	LIGHT GRAY	B	
E	BLACK	E	NOT RECOMMENDED MATING CONNECTOR IS UNIVERSAL
F	LIGHT GRAY	D	
G	BLACK	C	
H	LIGHT GRAY	F	
RELEASE STATUS		RELEASE DATE	

MX150 2 WAY CABLE SEAL RECEPTACLE CONNECTION SYSTEM (5.0mm PITCH)
BOM AND PIN OUT SHEET



RECOMMENDED MATING DEVICE TABLE			
ABBREVIATION	DESCRIPTION	DRAWING INFORMATION	ADDITIONAL INFORMATION
1	USCAR INTERFACE	150-S-002-1-Z01	http://ewcap.uscar1.com.org
2	MOLEX INTERFACE	SD-34062-002 SHEET 5	
3	MOLEX INLINE MALE CONNECTOR	E-34675-001	

BOM/ APPLICABLE COMPONENTS TABLE				
ABBREVIATION	DESCRIPTION	COLOR	MATERIAL	
A-BLK	HOUSING OPTION A	BLACK	PA6 GF30	
B-LG	HOUSING OPTION B	LIGHT GRAY	PA6 GF30	
B-BLK	HOUSING OPTION B	BLACK	PA6 GF30	
C-BLK	HOUSING OPTION C	BLACK	PA6 GF30	
D-BLK	HOUSING OPTION D	BLACK	PA6 GF30	
D-LG	HOUSING OPTION D	LIGHT GRAY	PA6 GF30	
E-BLK	HOUSING OPTION E	BLACK	PA6 GF30	
F-LG	HOUSING OPTION F	LIGHT GRAY	PA6 GF30	
G-BLK	HOUSING OPTION G	BLACK	PA6 GF30	
A-BLK-CLIP	HOUSING OPTION A WITH CLIPSLOT	BLACK	PA6 GF30	
B-LG-CLIP	HOUSING OPTION B WITH CLIPSLOT	LIGHT GRAY	PA6 GF30	
B-BLK-CLIP	HOUSING OPTION B WITH CLIPSLOT	BLACK	PA6 GF30	
C-BLK-CLIP	HOUSING OPTION C WITH CLIPSLOT	BLACK	PA6 GF30	
D-BLK-CLIP	HOUSING OPTION D WITH CLIPSLOT	BLACK	PA6 GF30	
D-LG-CLIP	HOUSING OPTION D WITH CLIPSLOT	LIGHT GRAY	PA6 GF30	
A-BLK-SV	HOUSING OPTION A - SEVERE VIBRATION	BLACK	PA6 GF30	
C-BLK-SV	HOUSING OPTION C - SEVERE VIBRATION	BLACK	PA6 GF30	
D-BLK-SV	HOUSING OPTION D - SEVERE VIBRATION	BLACK	PA6 GF30	
R3	RING SEAL TEMP. CLASS 3	MEDIUM BLUE	INHERENTLY LUBRICATED SILICONE	
R4	RING SEAL TEMP. CLASS 4	GREEN	INHERENTLY LUBRICATED SILICONE	
CPA	CPA	RED	PBT GF30	
TPA	INSERT, TPA	NATURAL	PBT GF30	

FOR ADDITIONAL INFORMATION SEE SD-34062-002

ASSEMBLY DESCRIPTION	ASSEMBLY PART NUMBER	COMPONENT				ASSEMBLY OPERATING TEMPERATURE	RECOMMENDED MATING DEVICE			PRODUCTION TOOL STATUS	COMMENTS
		THE PRESENCE OF AN ABBREVIATION INDICATES THE PRESENCE OF THAT COMPONENT.					1	2	3		
		HOUSING OPTION/COLOR	TPA	CPA	RING SEAL						
OPTION A, BLACK, W/O CPA	34062-0021	A-BLK	TPA		R3	-40° C TO 125° C	1	2		SALEABLE	
OPTION B, LIGHT GRAY, W/O CPA	34062-0022	B-LG	TPA		R3	-40° C TO 125° C	1	2	3	SALEABLE	PREFERRED, FULLY SHROUDED
OPTION C, BLACK, W/O CPA	34062-0023	C-BLK	TPA		R3	-40° C TO 125° C	1	2	3	SALEABLE	PREFERRED, FULLY SHROUDED
OPTION D, BLACK, W/O CPA	34062-0024	D-BLK	TPA		R3	-40° C TO 125° C	1	2		SALEABLE	
OPTION D, LIGHT GRAY, W/O CPA	34062-0029	D-LG	TPA		R3	-40° C TO 125° C	1	2		SALEABLE	
OPTION A, BLACK, W/ CPA	34062-0025	A-BLK	TPA	CPA	R3	-40° C TO 125° C	1	2		SALEABLE	
OPTION B, LIGHT GRAY, W/ CPA	34062-0026	B-LG	TPA	CPA	R3	-40° C TO 125° C	1	2	3	SALEABLE	PREFERRED, FULLY SHROUDED
OPTION C, BLACK, W/ CPA	34062-0027	C-BLK	TPA	CPA	R3	-40° C TO 125° C	1	2	3	SALEABLE	PREFERRED, FULLY SHROUDED
OPTION D, BLACK, W/ CPA	34062-0028	D-BLK	TPA	CPA	R3	-40° C TO 125° C	1	2		SALEABLE	
OPTION D, LIGHT GRAY, W/ CPA	34062-0030	D-LG	TPA	CPA	R3	-40° C TO 125° C	1	2		SALEABLE	
OPTION A, BLACK, WITH CLIPSLOT, W/O CPA	34062-0031	A-BLK-CLIP	TPA		R3	-40° C TO 125° C	1	2		SALEABLE	
OPTION B, LIGHT GRAY, WITH CLIPSLOT, W/O CPA	34062-0032	B-LG-CLIP	TPA		R3	-40° C TO 125° C	1	2	3	SALEABLE	PREFERRED, FULLY SHROUDED
OPTION C, BLACK, WITH CLIPSLOT, W/O CPA	34062-0033	C-BLK-CLIP	TPA		R3	-40° C TO 125° C	1	2	3	SALEABLE	PREFERRED, FULLY SHROUDED
OPTION D, BLACK, WITH CLIPSLOT, W/O CPA	34062-0034	D-BLK-CLIP	TPA		R3	-40° C TO 125° C	1	2		SALEABLE	
OPTION D, LIGHT GRAY, WITH CLIPSLOT, W/O CPA	34062-0035	D-LG-CLIP	TPA		R3	-40° C TO 125° C	1	2		SALEABLE	
OPTION A, BLACK, WITH CLIPSLOT, W/ CPA	34062-0036	A-BLK-CLIP	TPA	CPA	R3	-40° C TO 125° C	1	2		SALEABLE	
OPTION B, LIGHT GRAY, WITH CLIPSLOT, W/ CPA	34062-0037	B-LG-CLIP	TPA	CPA	R3	-40° C TO 125° C	1	2	3	SALEABLE	PREFERRED, FULLY SHROUDED
OPTION C, BLACK, WITH CLIPSLOT, W/ CPA	34062-0038	C-BLK-CLIP	TPA	CPA	R3	-40° C TO 125° C	1	2	3	SALEABLE	PREFERRED, FULLY SHROUDED
OPTION D, BLACK, WITH CLIPSLOT, W/ CPA	34062-0039	D-BLK-CLIP	TPA	CPA	R3	-40° C TO 125° C	1	2		SALEABLE	
OPTION D, LIGHT GRAY, WITH CLIPSLOT, W/ CPA	34062-0040	D-LG-CLIP	TPA	CPA	R3	-40° C TO 125° C	1	2		SALEABLE	
OPTION A, BLACK, SEVERE VIBRATION, W/ CPA	34062-4006	A-BLK-SV	TPA	CPA	R4	-40° C TO 155° C	1	2		SALEABLE	
OPTION C, BLACK, SEVERE VIBRATION, W/ CPA	34062-4008	C-BLK-SV	TPA	CPA	R4	-40° C TO 155° C	1	2		SALEABLE	PREFERRED, FULLY SHROUDED
OPTION D, BLACK, SEVERE VIBRATION, W/ CPA	34062-4009	D-BLK-SV	TPA	CPA	R4	-40° C TO 155° C	1	2		SALEABLE	
OPTION E, BLACK, W/O CPA	34062-0041	E-BLK	TPA		R4	-40° C TO 155° C	1	2		SALEABLE	PREFERRED, FULLY SHROUDED
OPTION F, LIGHT GRAY, W/O CPA	34062-0042	F-LG	TPA		R4	-40° C TO 155° C	1	2		SALEABLE	PREFERRED, FULLY SHROUDED
OPTION G, BLACK, W/O CPA	34062-0043	G-BLK	TPA		R4	-40° C TO 155° C	1	2		SALEABLE	PREFERRED, FULLY SHROUDED
OPTION E, BLACK, W/ CPA	34062-0044	E-BLK	TPA	CPA	R4	-40° C TO 155° C	1	2		SALEABLE	PREFERRED, FULLY SHROUDED
OPTION F, LIGHT GRAY, W/ CPA	34062-0045	F-LG	TPA	CPA	R4	-40° C TO 155° C	1	2		SALEABLE	PREFERRED, FULLY SHROUDED
OPTION G, BLACK, W/ CPA	34062-0046	G-BLK	TPA	CPA	R4	-40° C TO 155° C	1	2		SALEABLE	PREFERRED, FULLY SHROUDED
OPTION A, BLACK, W/ CPA	34062-0047	A-BLK	TPA	CPA	R3	-40° C TO 125° C	1	2		SALEABLE	
OPTION B, LIGHT GRAY, W/O CPA	34062-0048	B-LG	TPA		R4	-40° C TO 155° C	1	2	3	SALEABLE	PREFERRED, FULLY SHROUDED
OPTION C, BLACK, W/O CPA	34062-0049	C-BLK	TPA		R4	-40° C TO 155° C	1	2	3	SALEABLE	PREFERRED, FULLY SHROUDED
OPTION B, LIGHT GRAY, W/ CPA	34062-0050	B-LG	TPA	CPA	R4	-40° C TO 155° C	1	2	3	SALEABLE	PREFERRED, FULLY SHROUDED
OPTION C, BLACK, W/ CPA	34062-0051	C-BLK	TPA	CPA	R4	-40° C TO 155° C	1	2	3	SALEABLE	PREFERRED, FULLY SHROUDED
OPTION B, LIGHT GRAY, WITH CLIPSLOT, W/O CPA	34062-0052	B-LG-CLIP	TPA		R4	-40° C TO 155° C	1	2	3	SALEABLE	PREFERRED, FULLY SHROUDED
OPTION C, BLACK, WITH CLIPSLOT, W/O CPA	34062-0053	C-BLK-CLIP	TPA		R4	-40° C TO 155° C	1	2	3	SALEABLE	PREFERRED, FULLY SHROUDED
OPTION B, LIGHT GRAY, WITH CLIPSLOT, W/ CPA	34062-0054	B-LG-CLIP	TPA	CPA	R4	-40° C TO 155° C	1	2	3	SALEABLE	PREFERRED, FULLY SHROUDED
OPTION C, BLACK, WITH CLIPSLOT, W/ CPA	34062-0055	C-BLK-CLIP	TPA	CPA	R4	-40° C TO 155° C	1	2	3	SALEABLE	PREFERRED, FULLY SHROUDED
OPTION C, BLACK, SEVERE VIBRATION, W/O CPA	34062-4003	C-BLK-SV	TPA		R4	-40° C TO 155° C	1	2		SALEABLE	PREFERRED, FULLY SHROUDED
OPTION D, BLACK, SEVERE VIBRATION, W/O CPA	34062-4004	D-BLK-SV	TPA		R4	-40° C TO 155° C	1	2		SALEABLE	
OPTION D, BLACK, WITH CLIPSLOT, W/ CPA	34062-0056	D-BLK-CLIP	TPA	CPA	R4	-40° C TO 155° C	1	2		SALEABLE	
OPTION A, BLACK, WITH CLIPSLOT, W/ CPA	34062-0057	A-BLK-CLIP	TPA	CPA	R3	-40° C TO 125° C	1	2		SALEABLE	
OPTION B, BLACK, W/O CPA	34062-0058	B-BLK	TPA		R3	-40° C TO 125° C	1	2	3	SALEABLE	PREFERRED, FULLY SHROUDED
OPTION B, BLACK, W/ CPA	34062-0059	B-BLK	TPA	CPA	R3	-40° C TO 125° C	1	2	3	SALEABLE	PREFERRED, FULLY SHROUDED
OPTION B, BLACK, WITH CLIPSLOT, W/O CPA	34062-0060	B-BLK-CLIP	TPA		R3	-40° C TO 125° C	1	2	3	SALEABLE	PREFERRED, FULLY SHROUDED
OPTION B, BLACK, WITH CLIPSLOT, W/ CPA	34062-0061	B-BLK-CLIP	TPA	CPA	R3	-40° C TO 125° C	1	2	3	SALEABLE	PREFERRED, FULLY SHROUDED