

1

2

3

4

A

A

B

B

C

C

D

D

U_RPi-Headers
RPi-Headers.SchDoc



U_SC
SC.SchDoc



U_FPGA_B34
FPGA_B34.SchDoc



U_FPGA_B35
FPGA_B35.SchDoc



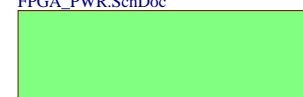
U_FPGA_MIO
FPGA_MIO.SchDoc



U_FPGA_RAM
FPGA_RAM.SchDoc



U_FPGA_PWR
FPGA_PWR.SchDoc



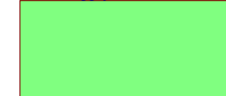
U_DDR3-RAM
DDR3-RAM.SchDoc



U_USB-PHY
USB-PHY.SchDoc



U_PowerSupply
PowerSupply.SchDoc



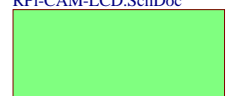
U_FTDI
FTDI.SchDoc



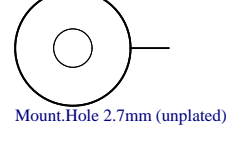
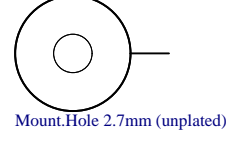
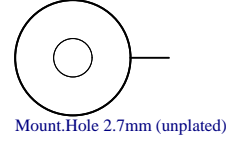
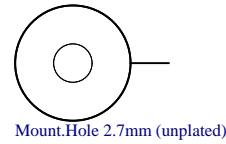
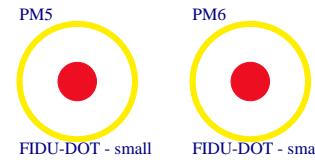
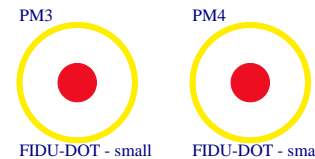
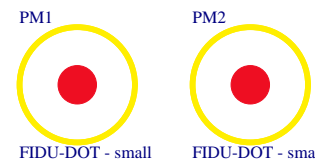
U_RPI_USB_HUB
RPi-USB-HUB.SchDoc



U_RPI_CAM_LCD
RPi-CAM-LCD.SchDoc



U_RPI_USB_ETH_CON
RPi-USB-ETH-CON.SchDoc



Serial
Serialnumber 6,3 x 6.3mm

Assembly variant	41C64-A
Created by	MR
Modified by	MR
Modified at	2021-01-21
SVN Revision	695



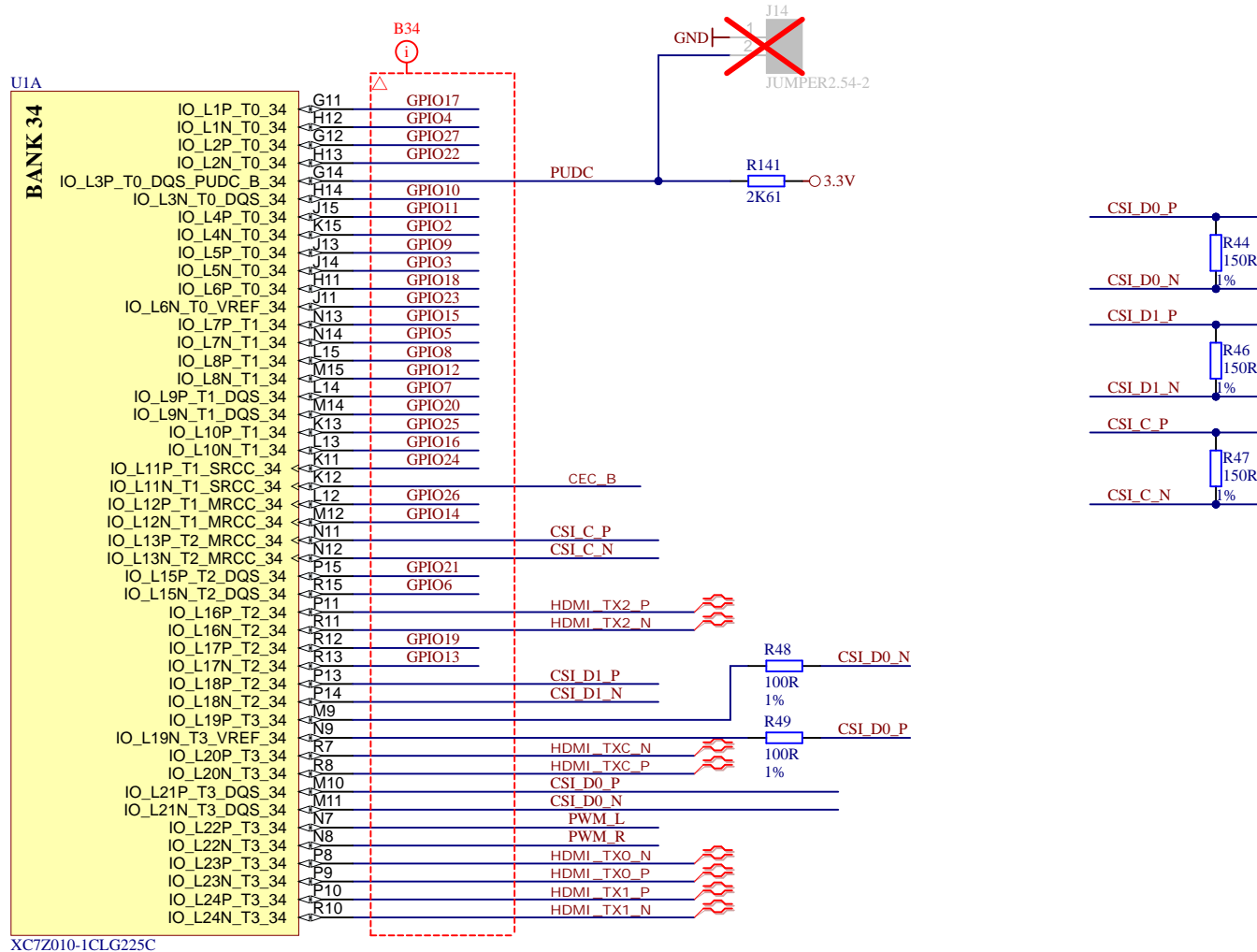
Title: TE0726		
A4	Number: TE0726 41C64-A	Rev. 03
Date: 2016-05-06	Copyright: Trenz Electronic GmbH	Page1 of 14
Filename: TE0726.SchDoc		

1

2

3

4



Title: TE0726 - FPGA B34		
A4	Number: TE0726 41C64-A	Rev. 03
Date: 2016-05-06	Copyright: Trenz Electronic GmbH	Page2 of 14
Filename: FPGA_B34.SchDoc		

1

2

3

4

A

A

B

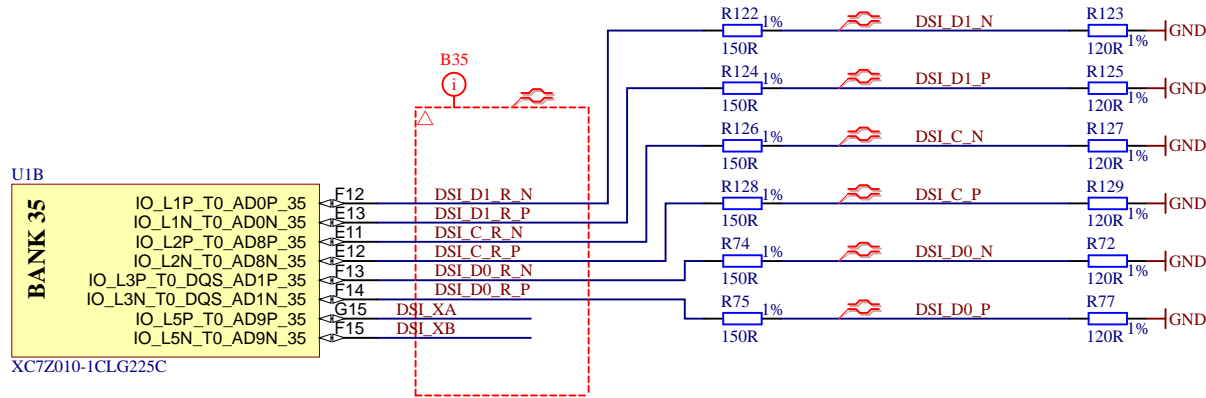
B

C

C

D

D



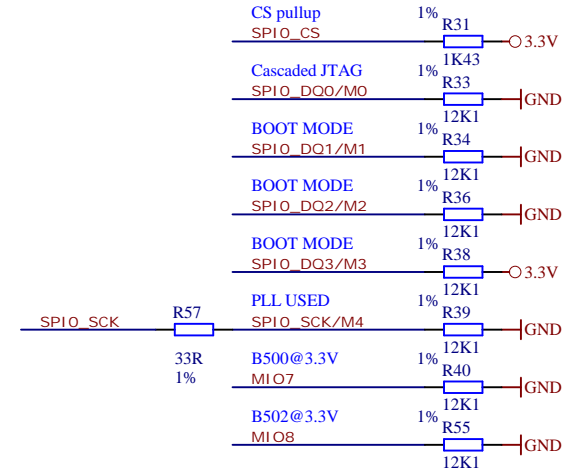
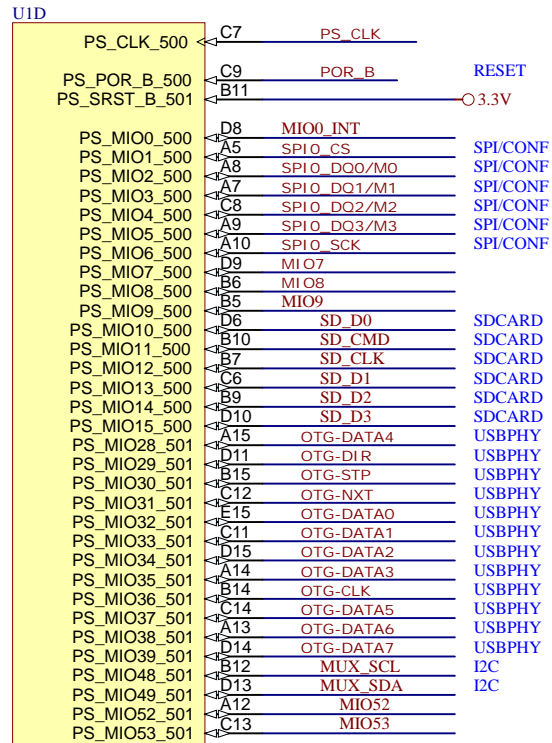
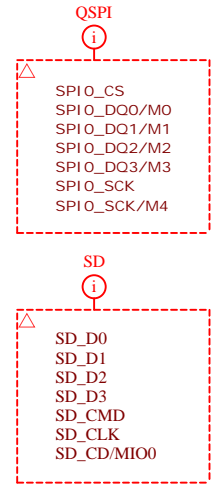
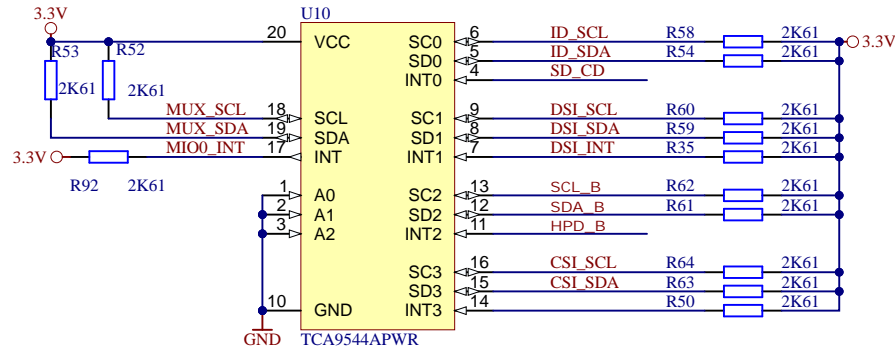
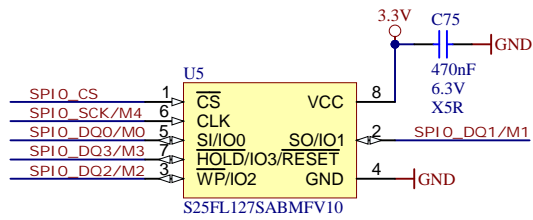
Title: TE0726 - FPGA B35		
A4	Number: TE0726 41C64-A	Rev. 03
Date: 2016-05-06	Copyright: Trenz Electronic GmbH	Page 3 of 14
Filename: FPGA_B35.SchDoc		

1

2

3

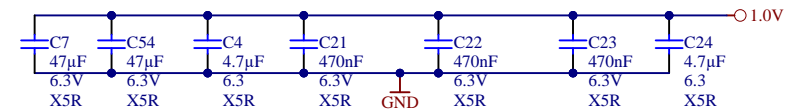
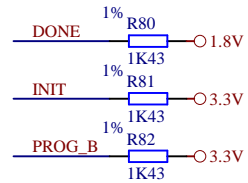
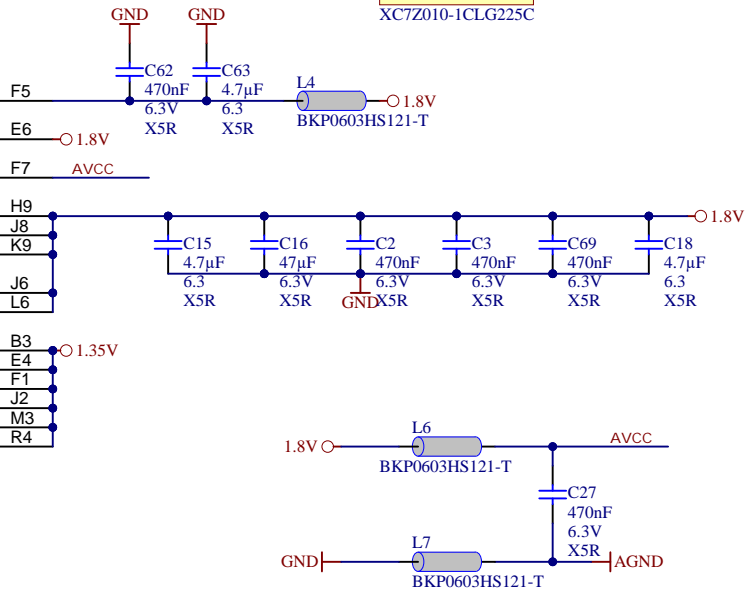
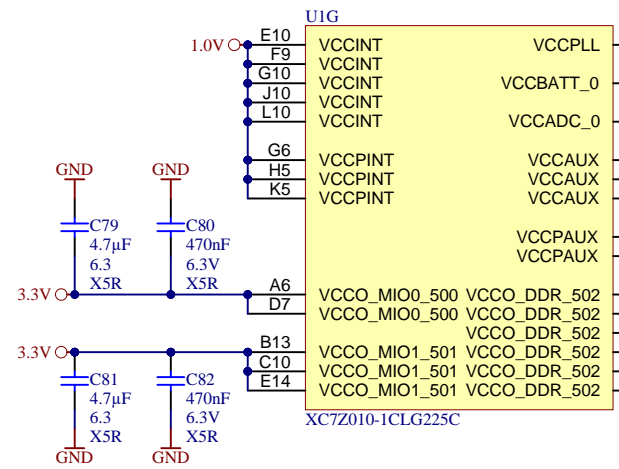
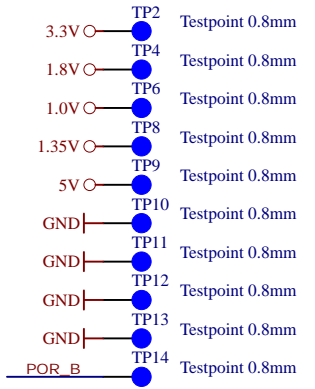
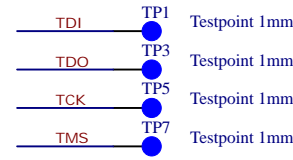
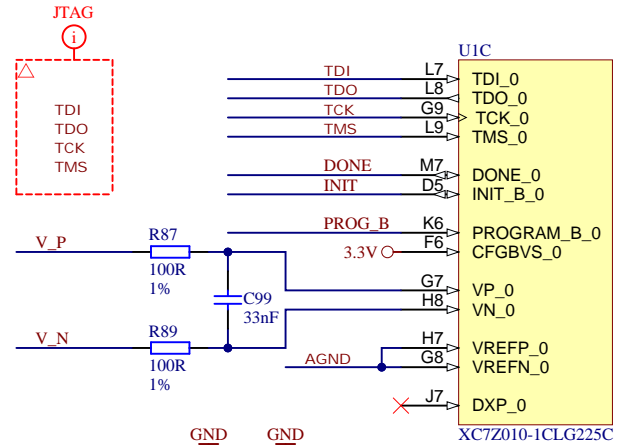
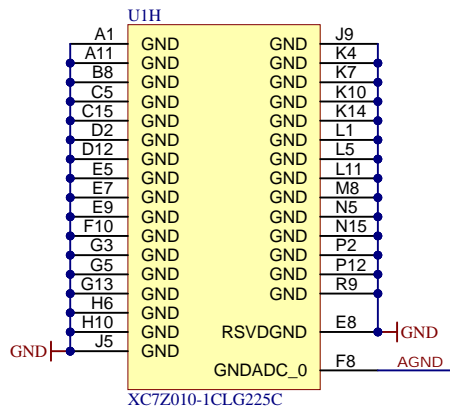
4



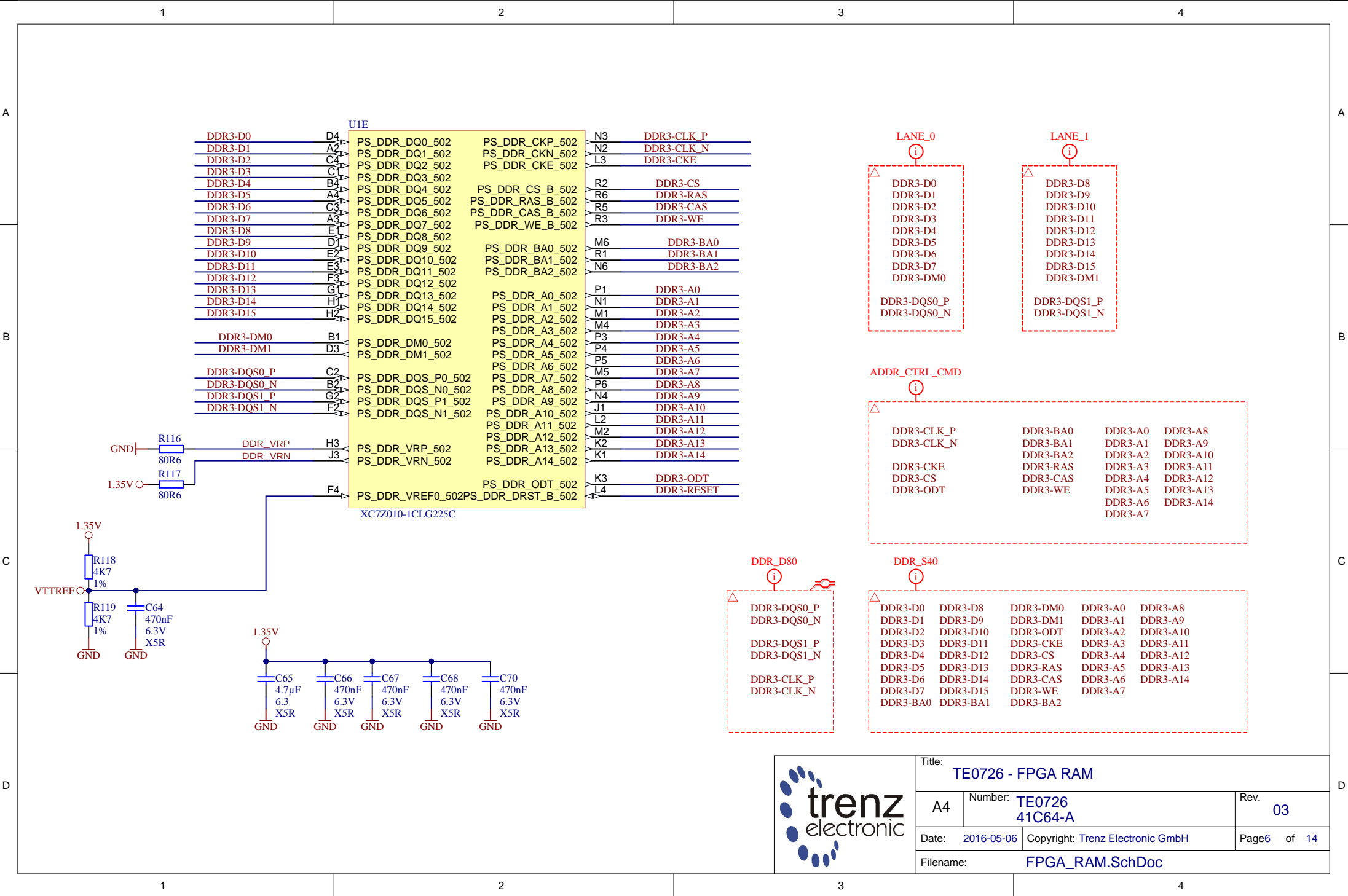

XC7Z010-1CLG225C



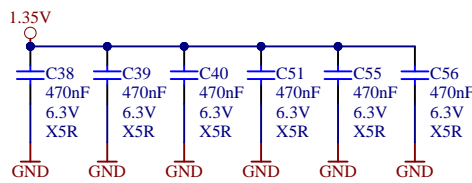
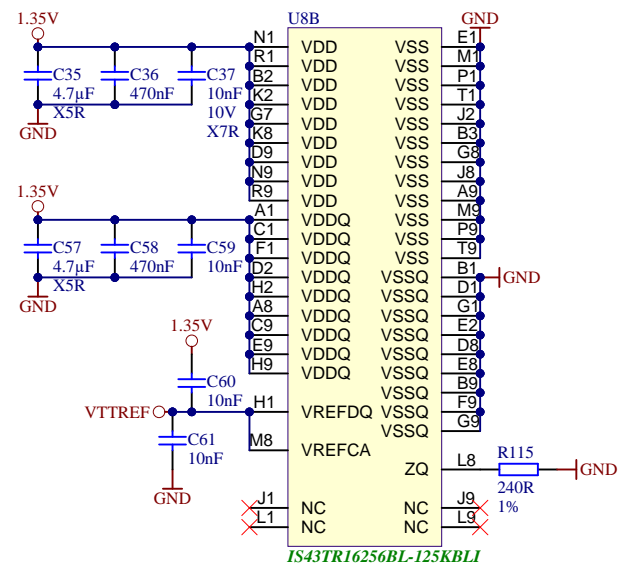
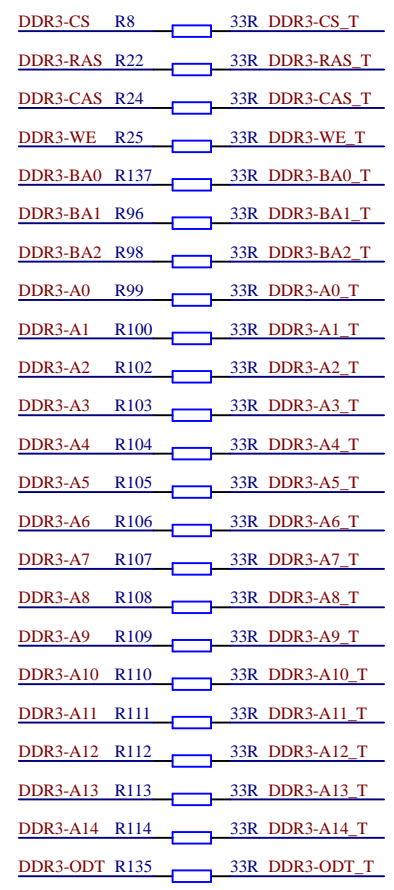
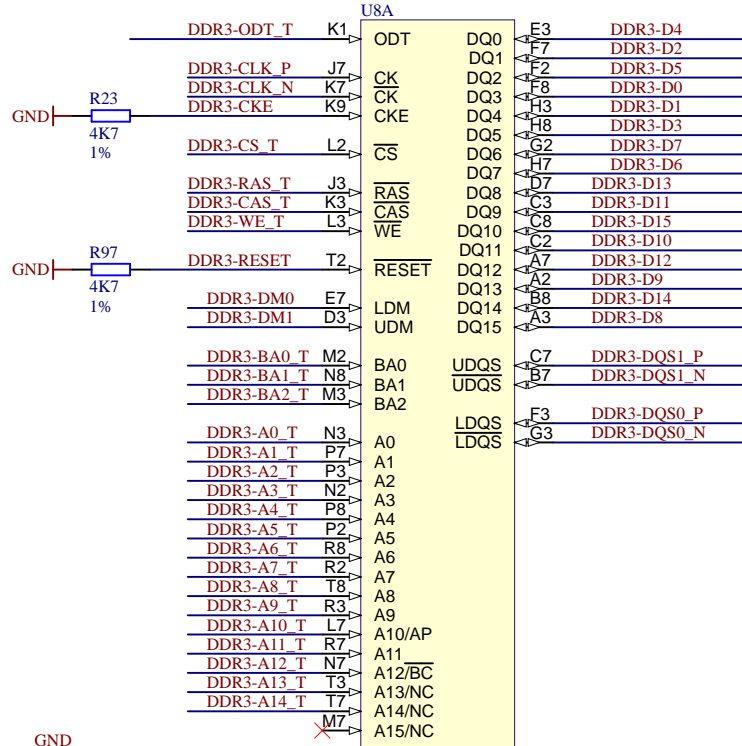
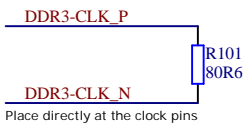
Title: TE0726 - FPGA MIO		
A4	Number: TE0726 41C64-A	Rev. 03
Date: 2016-05-06	Copyright: Trenz Electronic GmbH	Page4 of 14
Filename: FPGA_MIO.SchDoc		



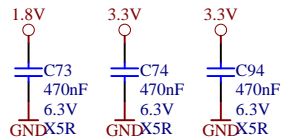
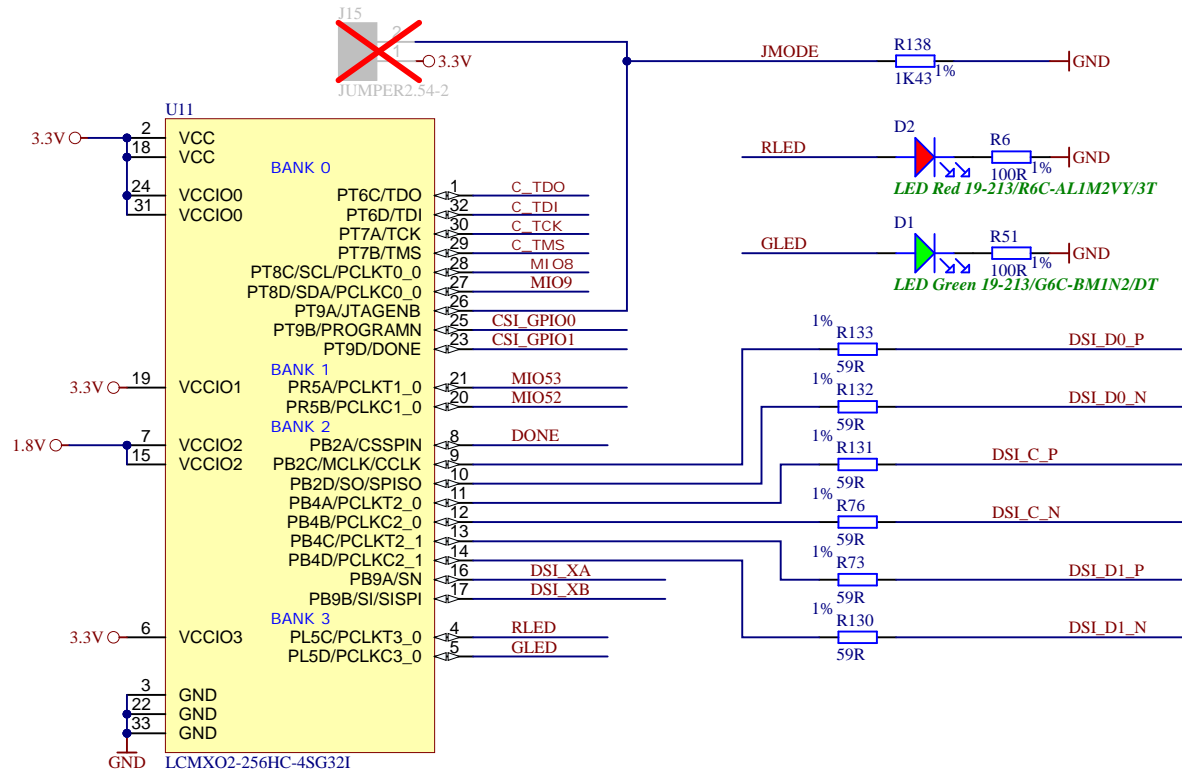
Title: TE0726 - FPGA PWR		
A4	Number: TE0726 41C64-A	Rev. 03
Date: 2016-05-06	Copyright: Trenz Electronic GmbH	Page 5 of 14
Filename: FPGA_PWR.SchDoc		

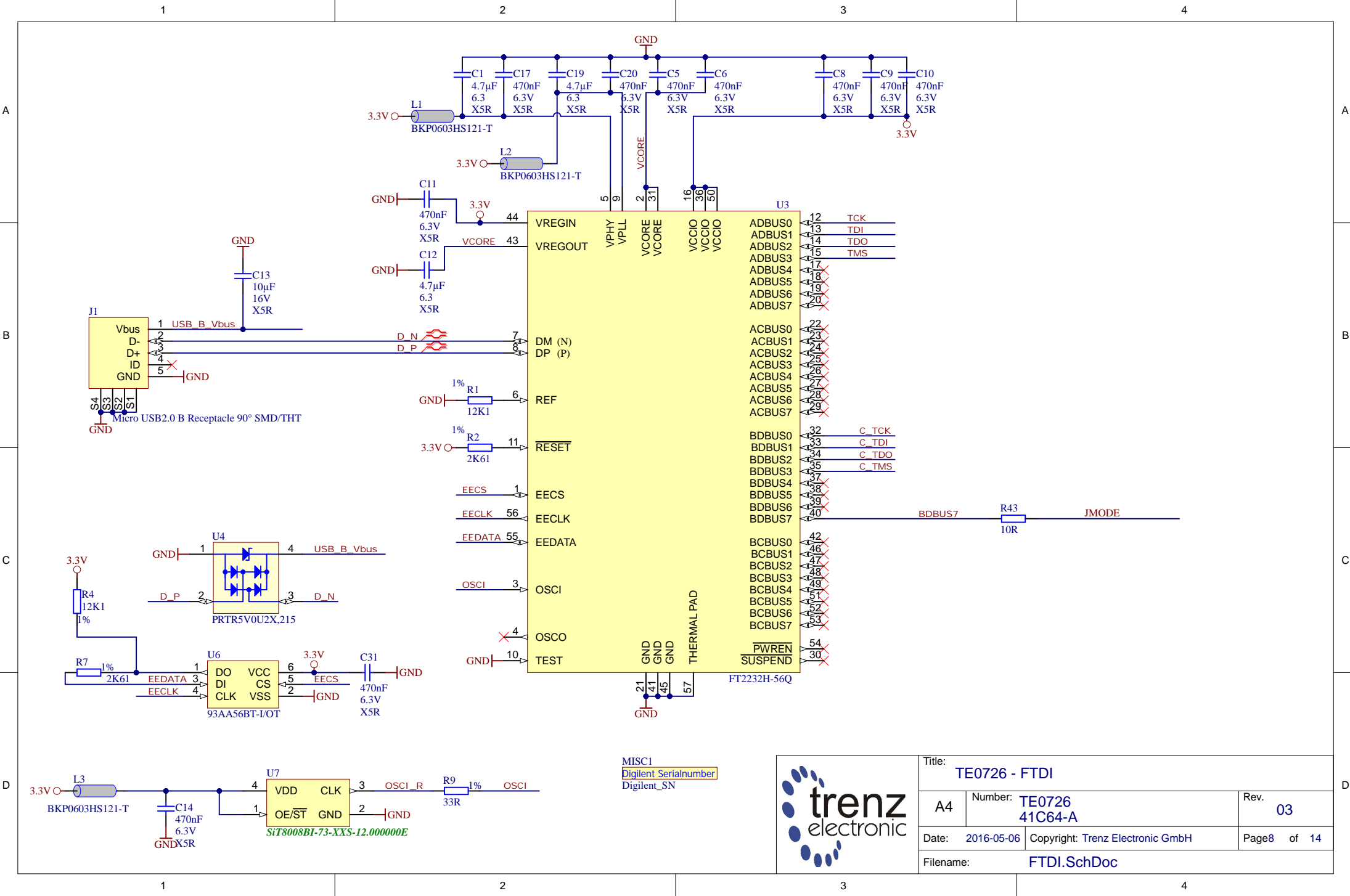
Title: TE0726 - FPGA RAM		
A4	Number: TE0726 41C64-A	Rev. 03
Date: 2016-05-06	Copyright: Trenz Electronic GmbH	Page 6 of 14
Filename: FPGA_RAM.SchDoc		



Title: TE0726 - DDR Memory		
A4	Number: TE0726 41C64-A	Rev. 03
Date: 2016-05-06	Copyright: Trenz Electronic GmbH	Page 7 of 14
Filename: DDR3-RAM.SchDoc		



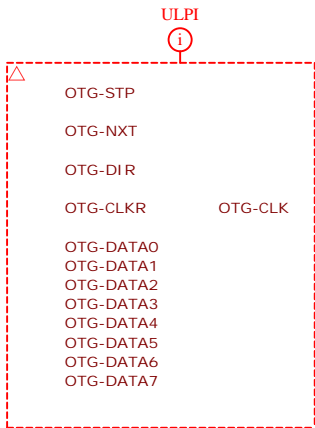
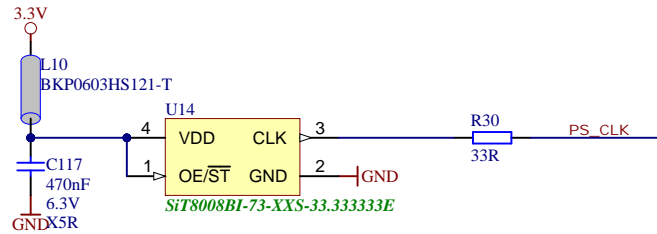
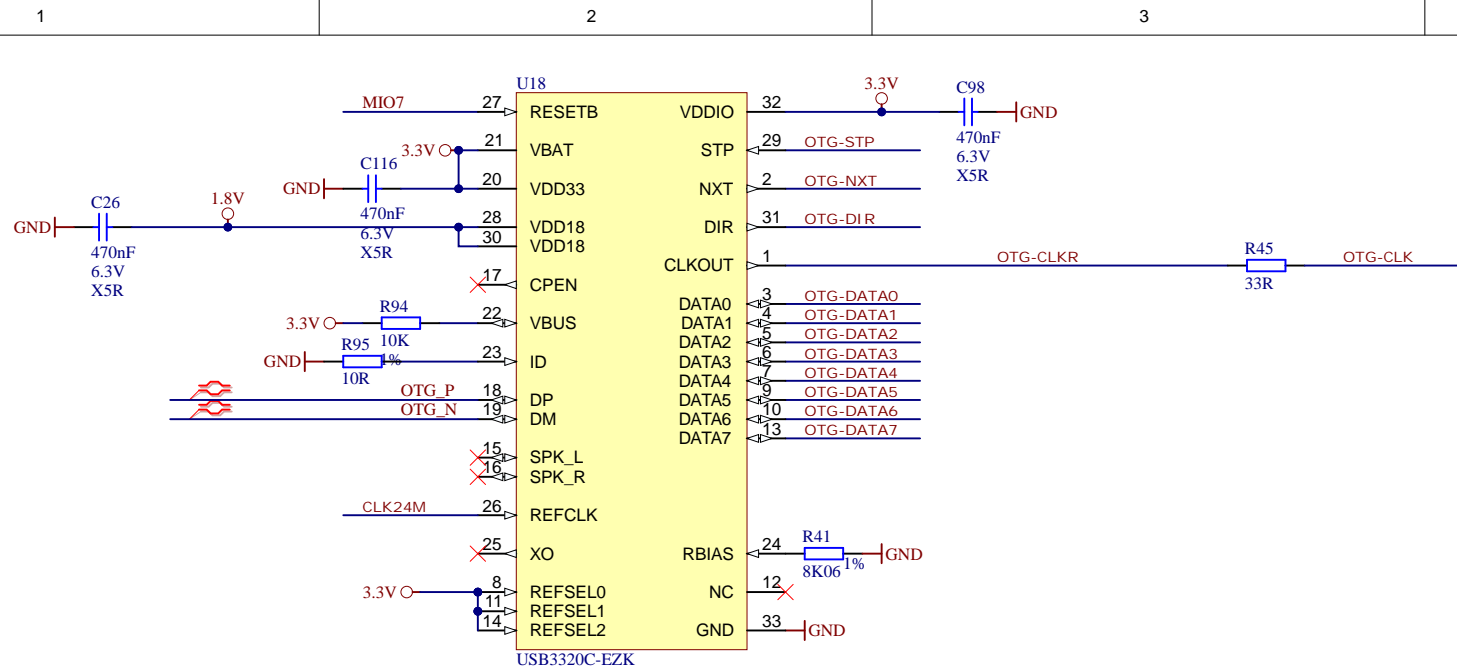
	Title: TE0726 - CPLD		
	A4	Number: TE0726 41C64-A	Rev. 03
	Date: 2016-05-06	Copyright: Trenz Electronic GmbH	Page 8 of 14
	Filename: SC.SchDoc		




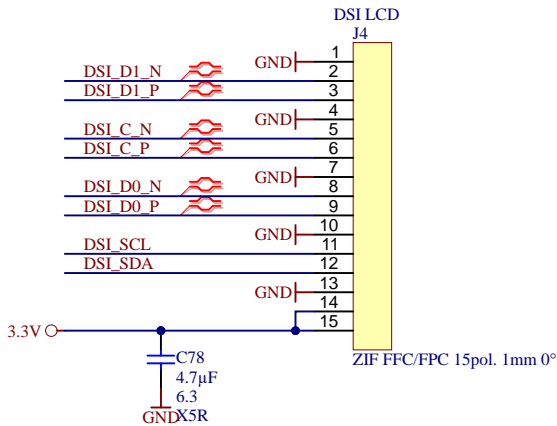
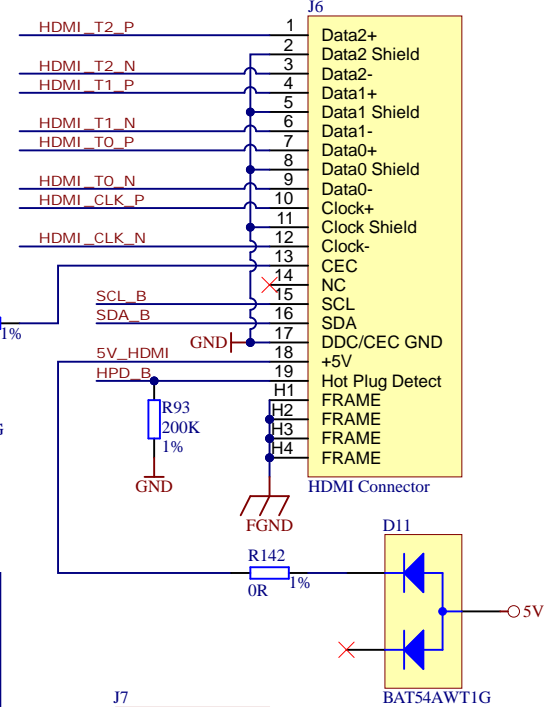
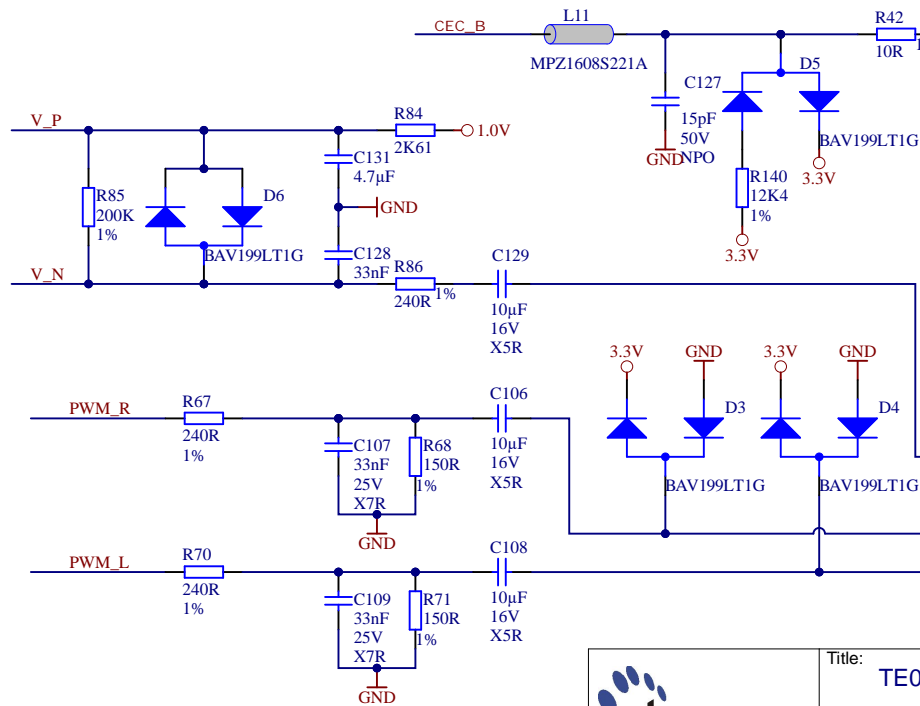
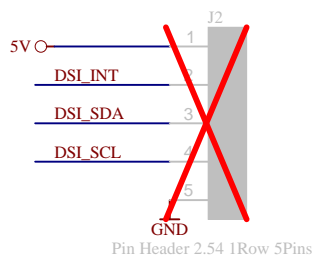
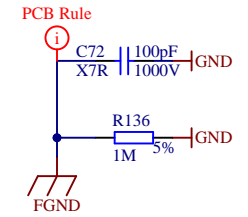
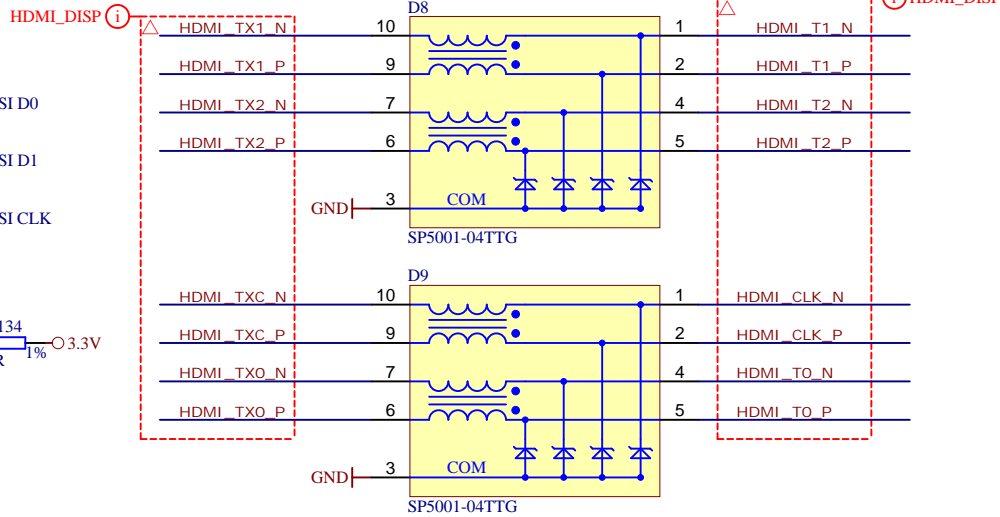
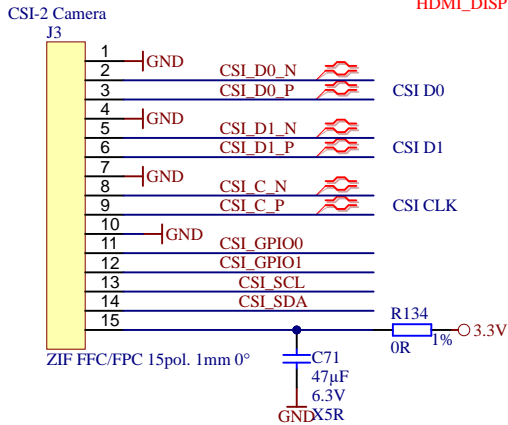
MISC1
 Diligent Serialnumber
 Diligent_SN



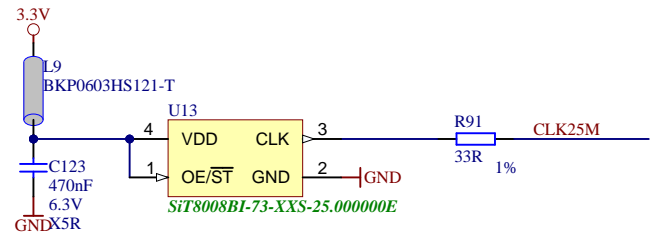
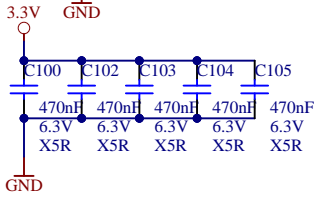
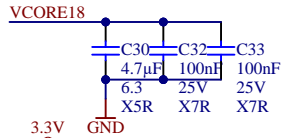
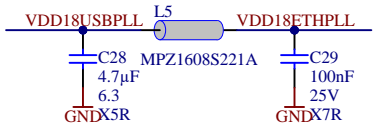
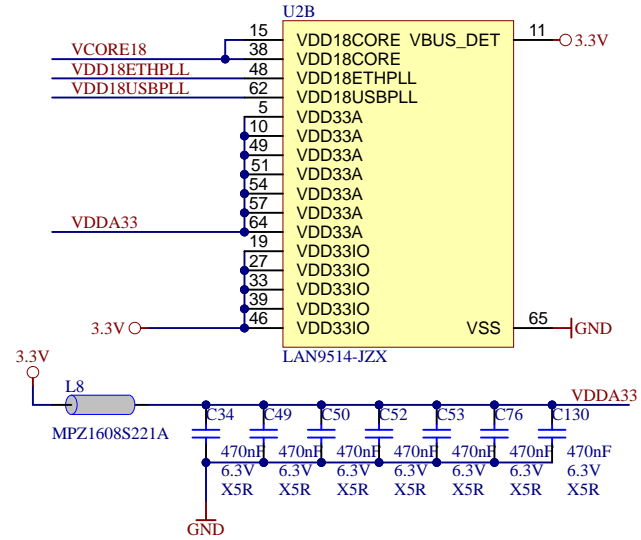
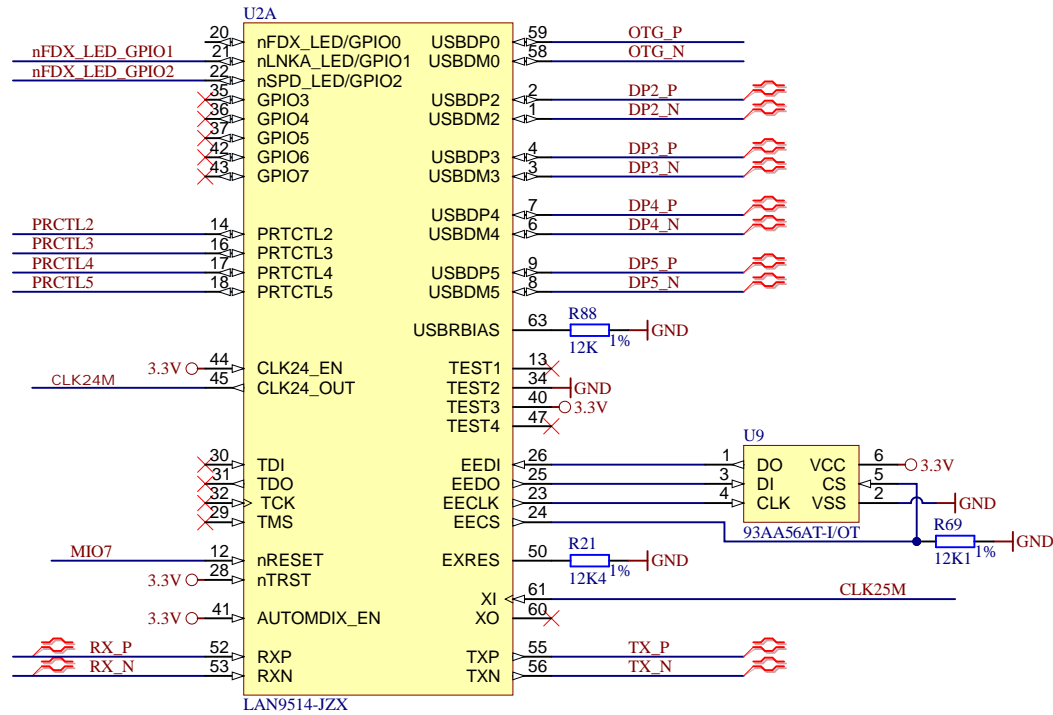
Title: TE0726 - FTDI		
A4	Number: TE0726 41C64-A	Rev. 03
Date: 2016-05-06	Copyright: Trenz Electronic GmbH	Page8 of 14
Filename: FTDI.SchDoc		



		Title: TE0726 - USB	
		A4	Number: TE0726 41C64-A
Date: 2016-05-06		Copyright: Trenz Electronic GmbH	
Page 9		of 14	
Filename: USB-PHY.SchDoc			



Title: TE0726 - Connectors		
A4	Number: TE0726 41C64-A	Rev. 03
Date: 2016-05-06	Copyright: Trenz Electronic GmbH	Page 10 of 14
Filename: RPi-CAM-LCD.SchDoc		



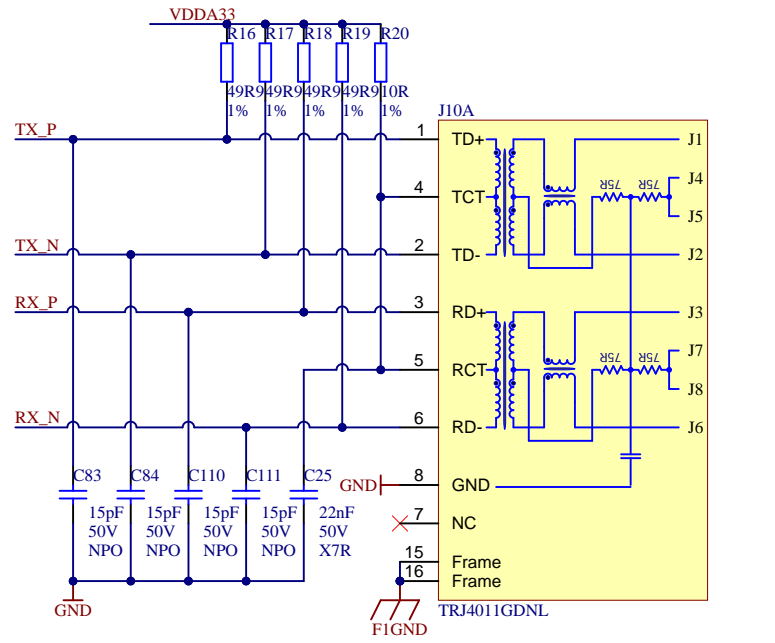
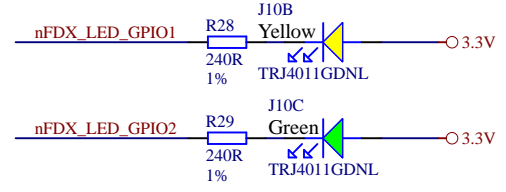
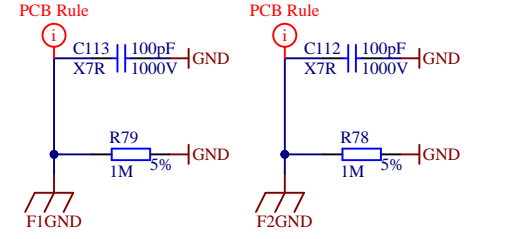
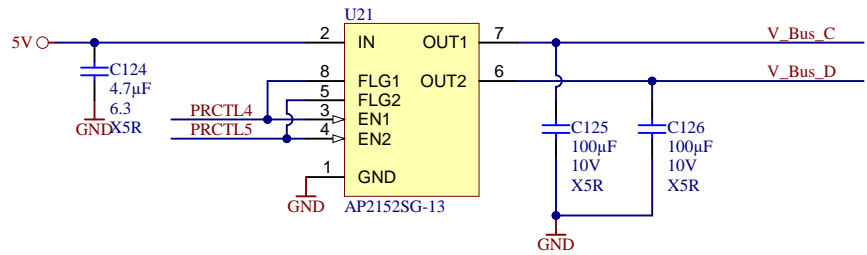
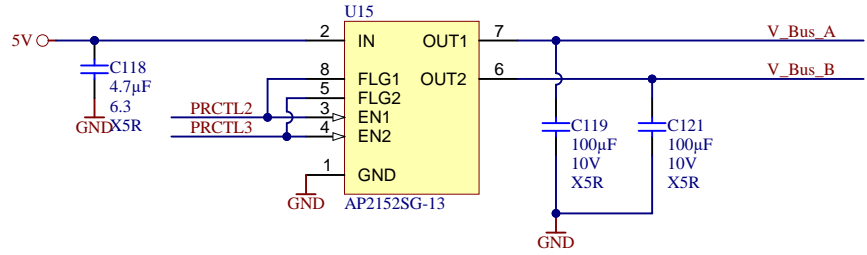
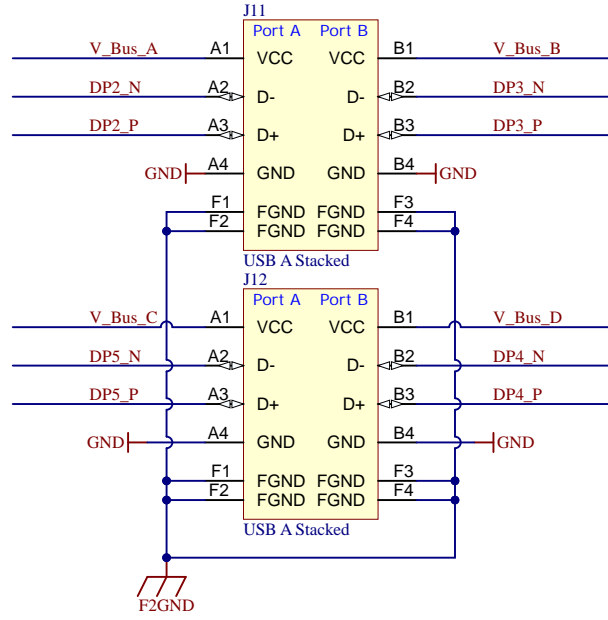
			Title: TE0726 - Connectors	
			A4	Number: TE0726 41C64-A
Date: 2016-05-06		Copyright: Trenz Electronic GmbH		Page 11 of 14
Filename: RPi-USB-HUB.SchDoc				

1

2

3

4



		Title: TE0726 - USB ETHERNET	
		A4	Number: TE0726 41C64-A
Date: 2016-05-06		Copyright: Trenz Electronic GmbH	
Filename: PRI-USB-ETH-CON.SchDoc		Page 12 of 14	

1

2

3

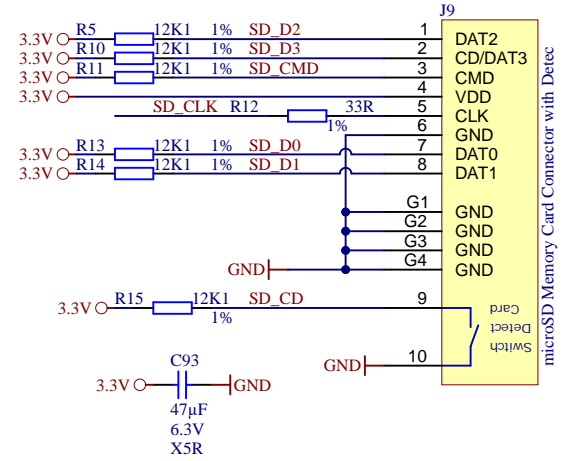
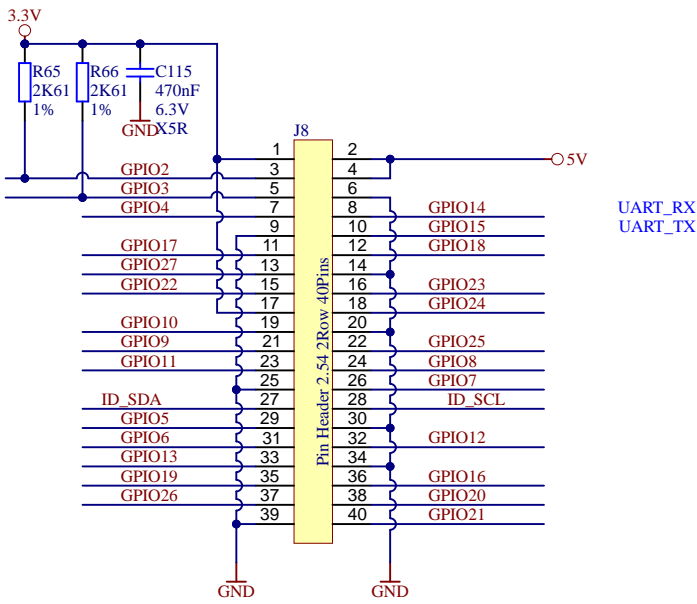
4

1

2

3

4



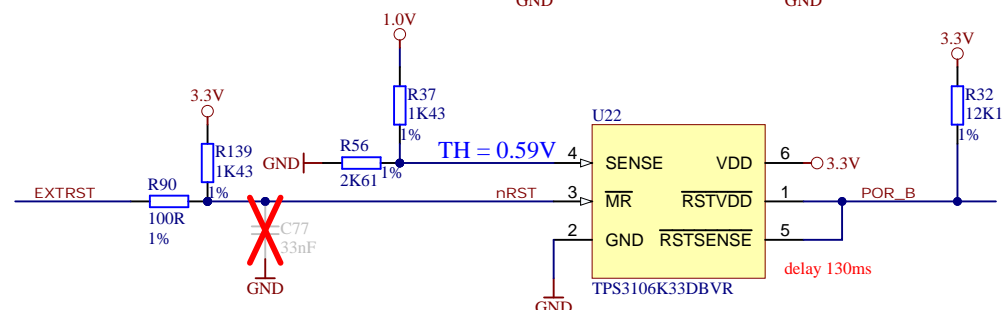
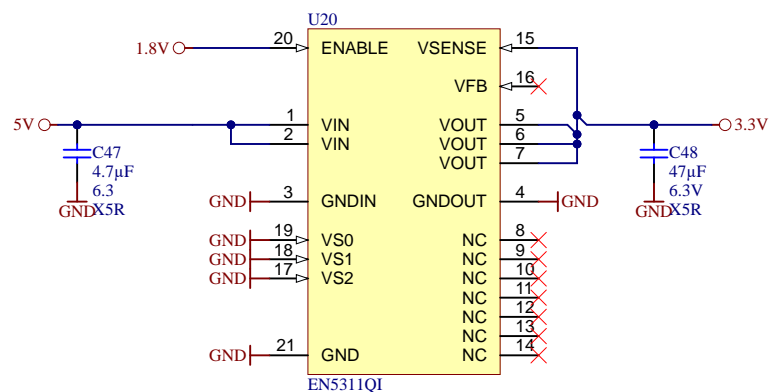
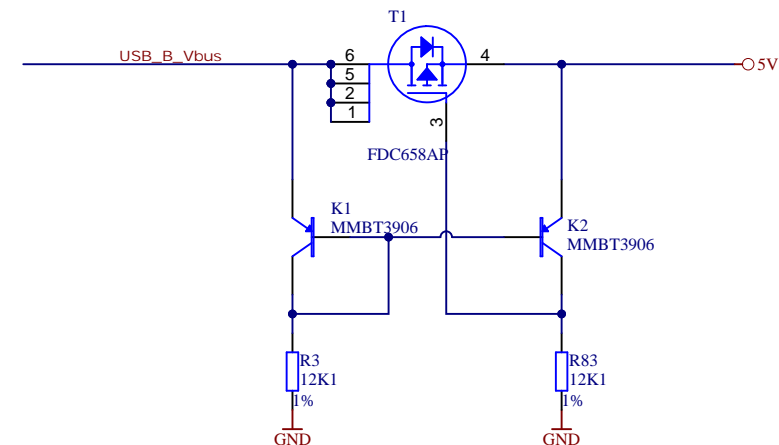
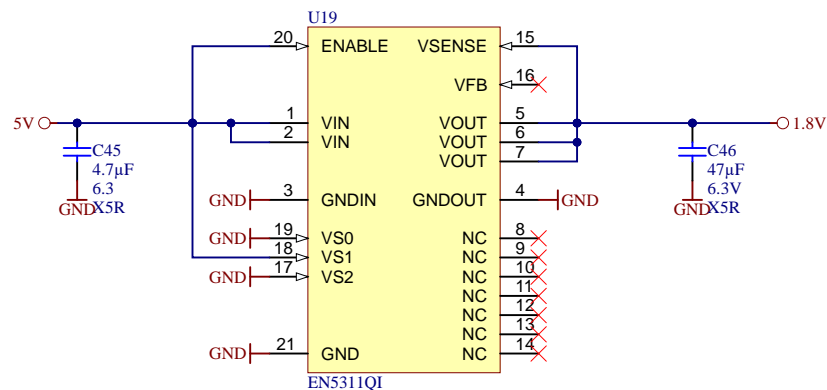
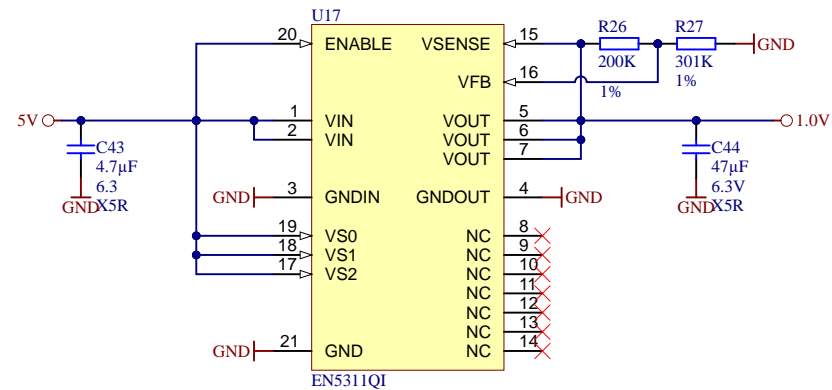
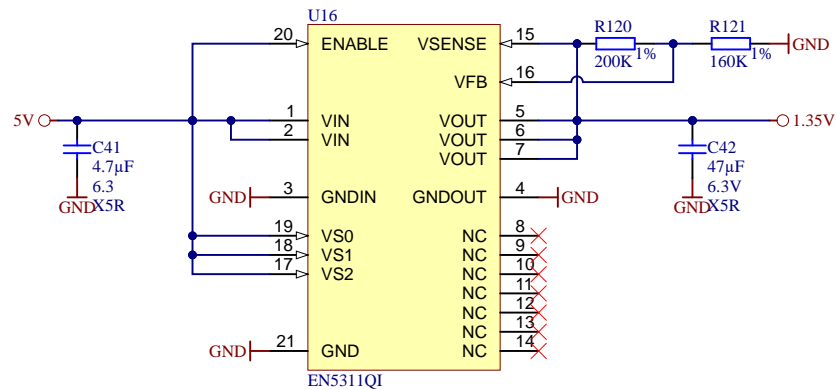
Title: TE0726 - Connectors		
A4	Number: TE0726 41C64-A	Rev. 03
Date: 2016-05-06	Copyright: Trenz Electronic GmbH	Page13 of 14
Filename: RPi-Headers.SchDoc		

1

2

3

4



			Title: TE0726 - PowerSupply	
			A4	Number: TE0726 41C64-A
Date: 2016-05-06		Copyright: Trenz Electronic GmbH		Page 14 of 14
Filename: PowerSupply.SchDoc				