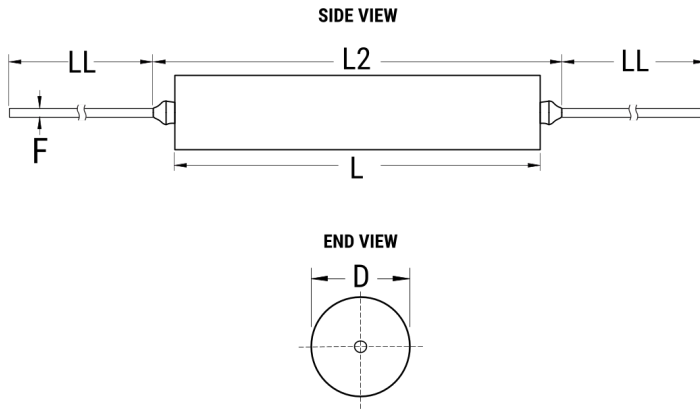


## T111B115K100AS

Aliases (T111B115K100AS{Bulk})

T111, Tantalum, MnO2 Tantalum, Commercial Grade, 1.1 uF, 10%, 100 VDC



Click [here](#) for the 3D model.

### Dimensions

|    |                      |
|----|----------------------|
| D  | 5.26mm +0.25/-0.38mm |
| L  | 24.26mm +/-0.79mm    |
| L2 | 28.7mm               |
| LL | 38.1mm +/-6.35mm     |
| F  | 0.51mm +/-0.05mm     |

### Packaging Specifications

|                    |           |
|--------------------|-----------|
| Packaging          | Bulk, Bag |
| Packaging Quantity | 30        |

### General Information

|              |  |
|--------------|--|
| Series       | T111   |
| Dielectric   | MnO2 Tantalum  |
| Style        | Axial Hermetic   |
| Description  | Axial, Solid Tantalum, Hermetically Sealed, Military (Non-ER), Non-Polar   |
| Features     | BiPolar, Low Leakage, Low DF   |
| RoHS         | No   |
| Prop 65      | <b>⚠ WARNING:</b> Cancer and reproductive harm - <a href="http://www.p65warnings.ca.gov">http://www.p65warnings.ca.gov</a> . |
| SCIP Number  | be146961-2c72-4b45-804a-c62bf7a8b23e   |
| Termination  | Lead (SnPb)  |
| Lead         | Wire Leads   |
| AEC-Q200     | No   |
| Construction | Hermetic   |
| Notes        | Dimensions Include Insulation Sleeve. When Supplied On T&R Or Ammo, Lead Length Is Determined By Taping Specification.       |

### Specifications

|                       |   |
|-----------------------|---|
| Capacitance           | 1.1 uF  |
| Capacitance Tolerance | 10%   |
| Voltage DC            | 100 VDC (85C), 86 VDC (125C Surge), 67 VDC (125C Reverse) |
| Temperature Range     | -55/+125°C  |
| Rated Temperature     | 85°C  |
| Dissipation Factor    | 3%  |
| Leakage Current       | 0.9 uA (25°C)   |