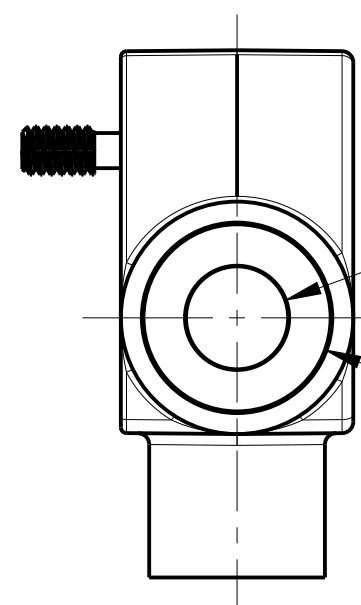
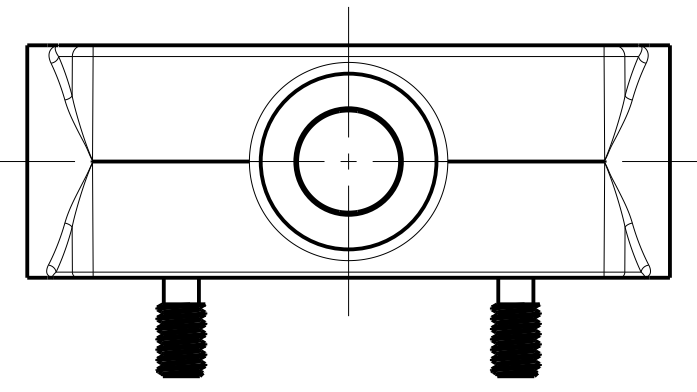
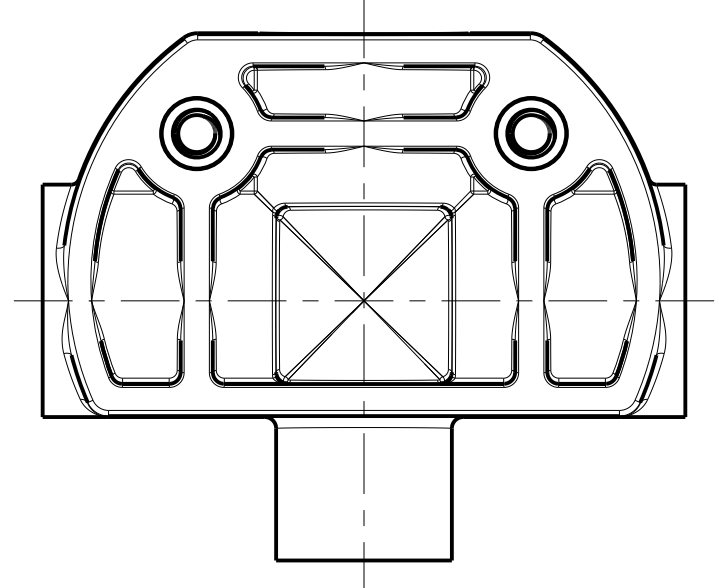
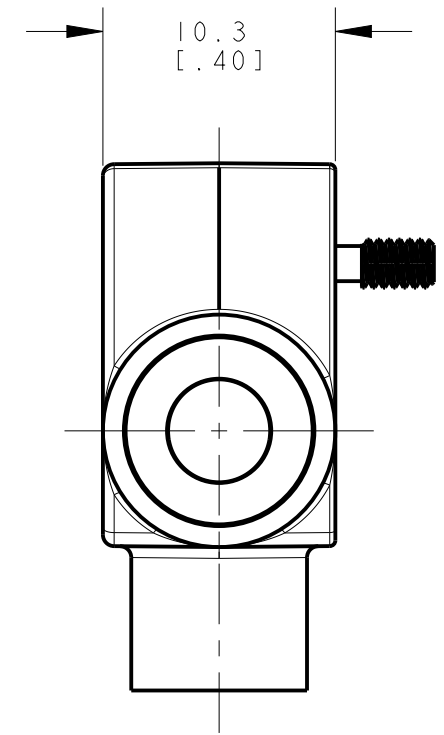
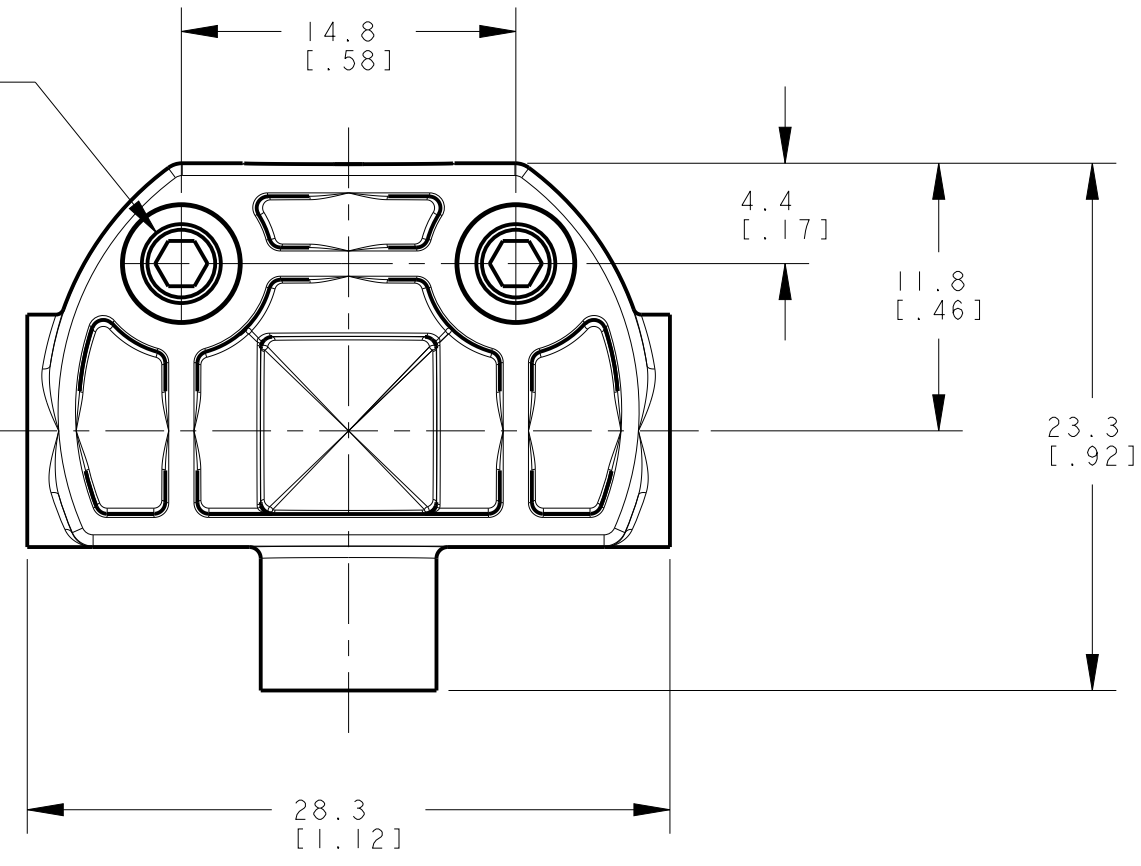


ISOMETRIC VIEW
SCALE 2:1



$\varnothing 4.5$ [.18]
 2X $\varnothing 8.3$ [.32]
 $\nabla 8.7$ [.34]

2X #2-56 - UNC
 CAPTIVE SHCS
 3.0 IN-LBS
 [0.25 FT-LBS]
 RECOMMENDED
 TORQUE



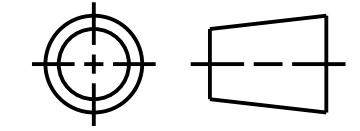
NOTES:
 1. ALL DIMENSIONS ARE MILLIMETERS [INCHES] UNLESS OTHERWISE NOTED.
 2. REFER TO "www.bannerengineering.com" FOR ADDITIONAL DATA AND SPECIFICATIONS.

This drawing is the property
 of BANNER ENGINEERING CORP.
 Any use or reproduction,
 in any form, without prior
 written permission of
 Banner is prohibited.
 © 2015 Banner Engineering Corp.



BANNER ENGINEERING CORP.
 www.bannerengineering.com

THIRD ANGLE PROJECTION



TITLE		SLC4A-MBK-11	
SIZE C	DRAWING NO. 205303	REV. A	
SCALE 3:1		SHEET 1 OF 1	

CREO