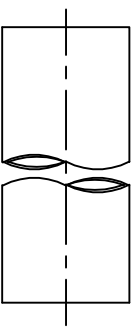
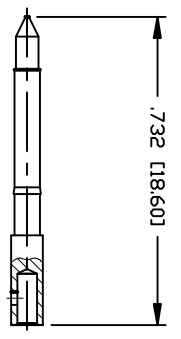
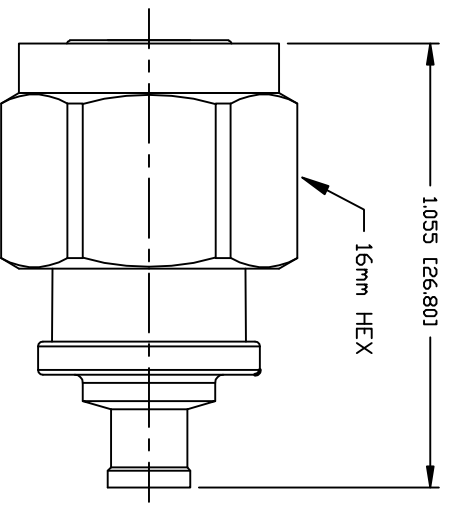


PART NO. **RFD-225M-SR2**

REV	DESCRIPTION	DWN	DATE	APPROVED
—	ENGINEERING RELEASE	DW	9/23/20	JDMC



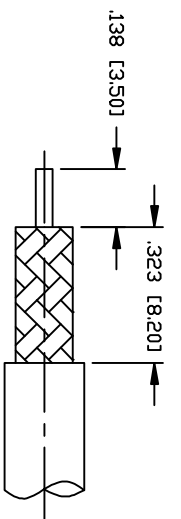
SOLDER ONLY      INSULATOR      SHRINK TUBING

DIRECT SOLDER 2.2/5 MALE

**SPECIFICATIONS:**

INTERFACE: IEC-61169-66  
 IMPEDANCE: 50 Ohms  
 FREQUENCY RANGE: 0-6 GHz  
 RL TEST ON TFT-402-LF 2X CONNECTORS  
 RETURN LOSS: 32 dB @ 700 MHz  
 RETURN LOSS: 28 dB @ 2000 MHz  
 RETURN LOSS: 24 dB @ 2500-3000 MHz  
 RETURN LOSS: 23 dB @ 3000-4000 MHz  
 RETURN LOSS: 19 dB @ 4000-5000 MHz  
 RETURN LOSS: 18 dB @ 5000-6000 MHz  
 3rd ORDER IM: ≤ -165 dBc (RELATIVE TO CARRIER)  
 3rd ORDER IM TEST METHOD: 2x43dBm CARRIERS  
 INSULATION RESISTANCE: 5k Mohms min.  
 POWER HANDLING: 250W @ 2 GHz  
 TEMPERATURE RANGE: -40°C TO 85°C  
 MATING TORQUE: 3 Nm  
 DURABILITY: >100 MATING CYCLES  
 ENVIRONMENTAL: IP68 MATED  
 Rohs COMPLIANT: 2002/95/IEC  
 NET WEIGHT: 0.05 lb

#	DESCRIPTION	QTY	MATERIAL	FINISH
1	BODY	1	BRASS	CUSnZn ALLOY
2	INSULATOR	1	PIFE	NATURAL WHITE
3	PIN	1	BRASS	SILVER
4	GASKET	1	SILICONE	---
5	RETAINING RING	1	BRASS	CUSnZn ALLOY
6	TUBING	1	HEAT SHRINK	BLACK
7	COUPLING NUT	1	BRASS	CUSnZn ALLOY



RECOMMENDED STRIPING DIMENSIONS

USED ON: RG-402/U, TFT-402-LF, FLEX-402, 1673A, SS402, EZ-FLEX-402

CUSTOMER OUTLINE DRAWING  
 ALL DIMENSIONS ARE IN INCHES  
 ARE REFERENCE ONLY  
 UNLESS OTHERWISE SPECIFIED:  
 DIMENSIONS ARE IN MILLIMETERS

PROPRIETARY AND CONFIDENTIAL  
 THIS DRAWING CONTAINS INFORMATION PROPRIETARY TO RF INDUSTRIES. ANY UNAUTHORIZED USE OF THIS DRAWING IS EXPRESSLY PROHIBITED WITHOUT WRITTEN PERMISSION FROM RF INDUSTRIES. ANY VIOLATION IS PUNISHABLE UNDER U.S. COPYRIGHT LAWS.

**RF Industries**  
 DIVISION OF RF INDUSTRIES, LTD. (858) 549-6345 FAX

**2.2/5 MALE**

**DIRECT SOLDER FOR RG-402 TYPE CABLE**

CABLE GROUP DWG # **RFD-225M-SR2** REVISION

FORMAT A SCALE NTS CONTROL # 000000 SHEET 1 OF 1