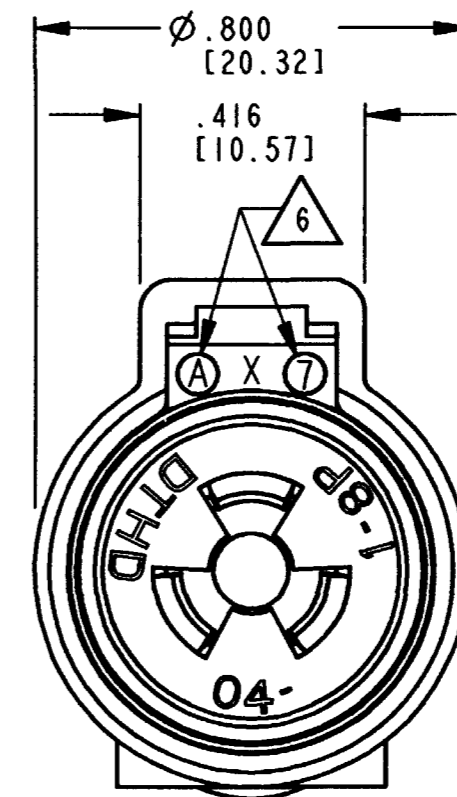
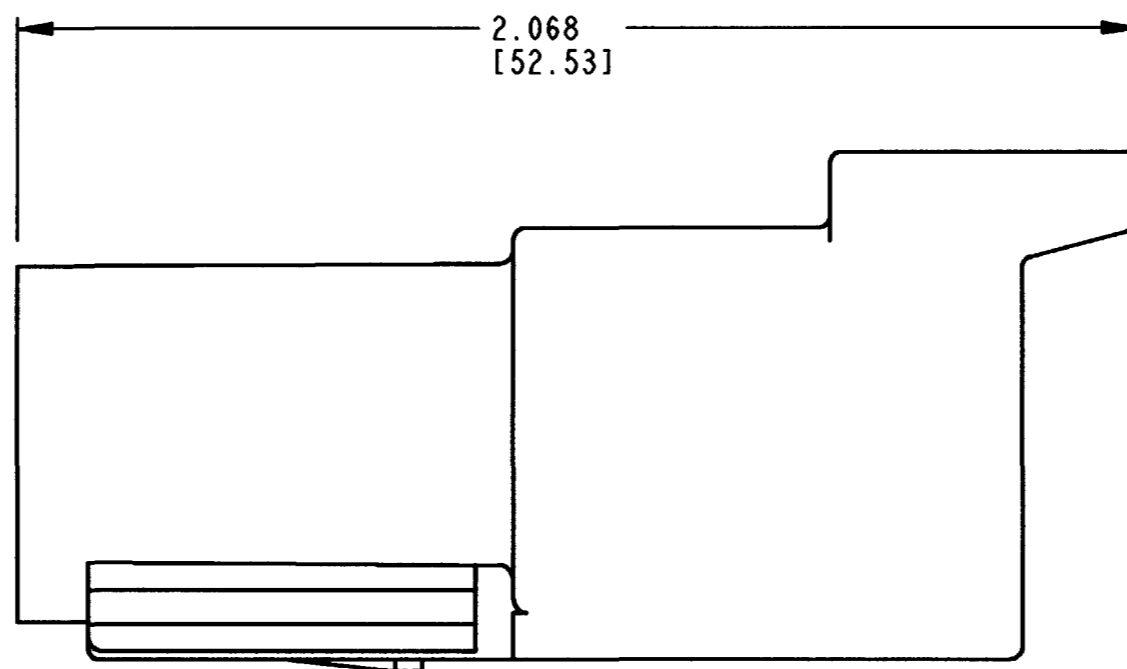
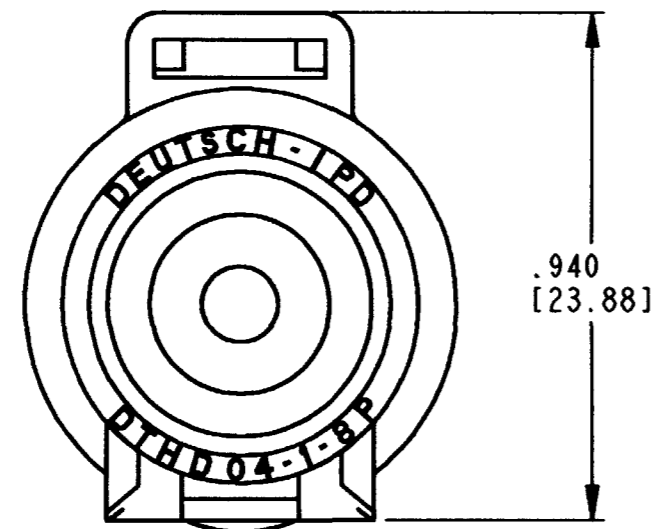


REV
A DTHD04-18P

| REVISIONS | | | |
|-----------|-----------------------------|----------|----------|
| SYM | DESCRIPTION | DATE | APPROVED |
| NC | NEW RELEASE PER E.O. A14636 | 12/06/94 | R.D.R. |
| A | REVISED PER E.O. P18601 | 6-29-04 | RDR |



6 DATE CODE: MONTH IS REPRESENTED BY SEQUENTIAL ALPHA CHARACTERS. EX: A = JANUARY.
YEAR IS REPRESENTED BY LAST NUMERIC DIGIT. EX: 2 = 2002.

5 MATERIAL: HOUSING: PLASTIC, GROMMET: RUBBER.

4 THIS RECEPTACLE MATES WITH DTHD06-1-8S-**** PLUG.
(**** = ALL MODIFICATIONS)

3 FOR CONTACT AND WIRE PERFORMANCE AND APPLICATION CHARACTERISTIC
SEE ENVELOPE DRAWING 0425-015-0000.

2 DIMENSION TOLERANCE: ±.025 [.64].

1 DIMENCIONS ARE IN INCHES [mm].

NOTES: UNLESS OTHERWISE SPECIFIED.

| WIRE INSULATION DIA | | | |
|---------------------|--------------|--------------|---|
| CONTACT SIZE | MINIMUM O.D. | MAXIMUM O.D. | WIRE RANGE [mm ²] REF. ONLY 4 |
| 8 | .190 [4.83] | .240 [6.09] | 8 - 10 AWG [8.0-5.0] |

| SIGNATURE & DATE | |
|------------------|------------------------------|
| DR | J. HAYNES 10/08/99 |
| CHK | <i>[Signature]</i> |
| PE | <i>[Signature]</i> JUN-10-04 |
| APPD | <i>[Signature]</i> 6/21/04 |
| SCALE | NONE [WT] |

RECEPTACLE
#8 HD CONTACT
DTHD SERIES
COLOR: BLACK

ENVELOPE

| CP | MATL. CODE |
|---|-----------------------|
| The Deutch Company DEUTSCH I.P.D. 3850 INDUSTRIAL AVE. HEMET, CALIF. 92545 | |
| B DTHD04-1-8P | |
| DWG SIZE | CODE 11139 SHEET OF |