

CUSTOMER PRINT

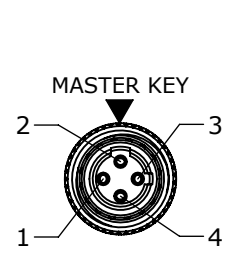
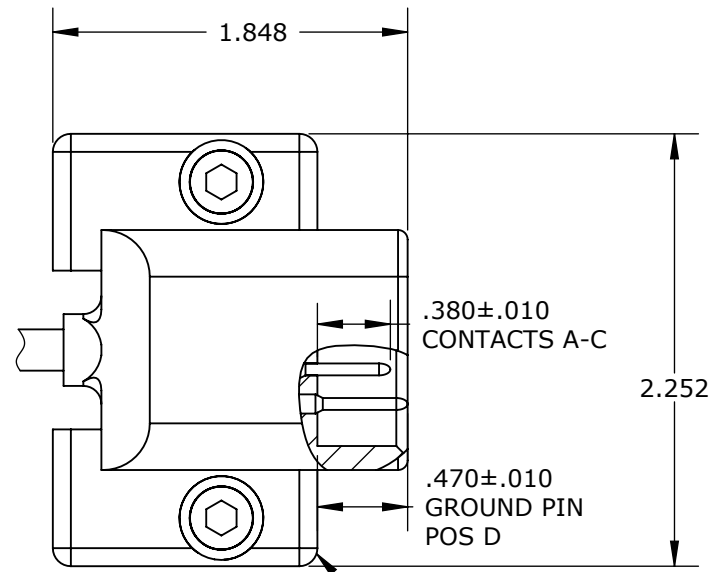
PART NUMBER: DB40S4SS4P1-XFAM

PART NO.	"X" DIM
DB40S4SS4P1-1	1 FT ±1 IN.
DB40S4SS4P1-2	2 FT ±2 IN.
DB40S4SS4P1-3	3 FT ±2 IN.
DB40S4SS4P1-4	4 FT ±2 IN.
DB40S4SS4P1-6	6 FT ±2 IN.
DB40S4SS4P1-12	12 FT ±4 IN.
DB40S4SS4P1-	

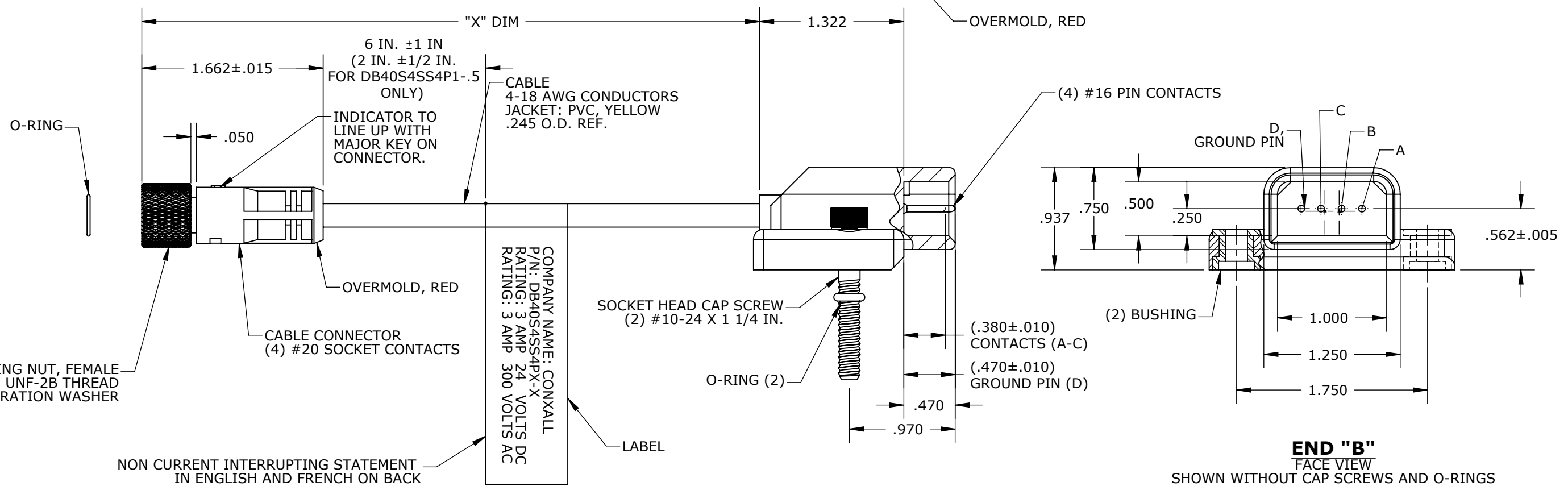
LENGTH IN FEET

NOTES:

1. FINISHED PRODUCT 3 FEET AND SHORTER TO BE BUNDLED
FINISHED PRODUCT OVER 3 FEET TO BE COILED
FOR PART NUMBER SEE TABLE
ALL DIMENSIONS ARE REFERENCE UNLESS OTHERWISE SPECIFIED
2. OVERMOLD BOOT MATERIAL: POLYURETHANE WITH RED COLORANT, TYP BOTH ENDS
3. ELECTRICAL RATINGS: 3 AMPS, 300 VOLTS AC
3 AMPS, 24 VOLTS DC
4. ELECTRICAL TEST:
a) 100% CONTINUITY TEST
b) AT CELL SET-UP AND SAMPLING:
HI-POT @ 1500V DC EACH CONTACT AGAINST ALL OTHERS AND GROUND.



END "A" FACE VIEW



END "B" FACE VIEW SHOWN WITHOUT CAP SCREWS AND O-RINGS

WIRE COLOR CODE, END "A"				WIRE COLOR CODE, END "B"			
POS. 1	POS. 2	POS. 3	POS. 4	POS. A	POS. B	POS. C	POS. D
RED/BLK	RED/WHT	RED	GRN	RED/BLK	RED/WHT	RED	GRN

CUSTOMER APPROVAL

THIS DOCUMENT CONTAINS CONFIDENTIAL INFORMATION PROPRIETARY TO CONXALL CORPORATION. ANY REPRODUCTION, DISCLOSURE, OR USE OF THIS DOCUMENT /INFORMATION IS EXPRESSLY PROHIBITED UNLESS AUTHORIZED IN WRITING BY CONXALL CORPORATION.

APPROVED BY: _____
DATE: _____

D	PD	08-10-11	UPDATED MANUFACTURING DRAWING PER ECR 7934
C	BZ	01-12-11	UPDATED MANUFACTURING DRAWING PER ECR 7734
B	BZ	11-17-09	UPDATED MANUFACTURING DRAWING PER ECR 7305
A	BZ	04-22-09	DRAWING CREATED PER DOR 09-1230JT-1
REV.	INIT.	DATE	DESCRIPTION
ALL INFORMATION ILLUSTRATED IS THE PROPERTY OF "CONXALL CORPORATION". UNAUTHORIZED DUPLICATION OR DISTRIBUTION OF THIS DOCUMENT IS PROHIBITED.		ORIG. DRAWN BY: BZ	DATE: 04-03-09
ALL UNITS ARE IN FEET, INCHES, FRACTION OF INCHES AND DECIMALS.		CHECKED BY:	
- CRITICAL CHARACTERISTIC FLAG PER SPEC. XXXX		APPROVED BY:	
SCALE: NTS	SIZE: B	SHEET: 1 OF 1	TITLE: CABLE ASSEMBLY (RED) SOCKET CABLE CONNECTOR WITH DIE BLOCK MICRO-MIZER
FILE: DB40S4SS4P1-XFAM	DIRECTORY: SLW	PART NUMBER: DB40S4SS4P1-XFAM	CUSTOMER: STANDARD PRODUCT
			REV D