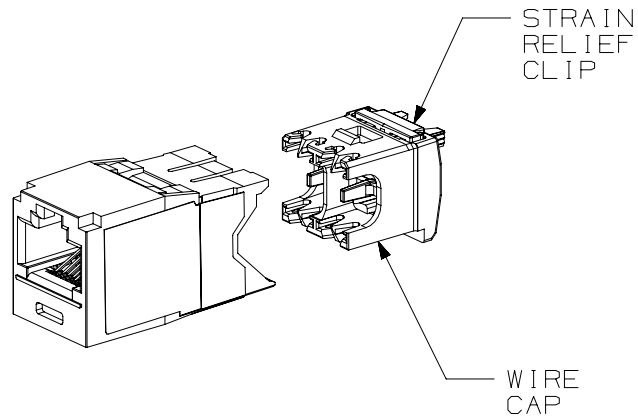
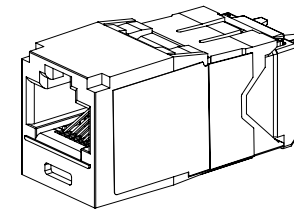


THIS COPY IS PROVIDED ON A RESTRICTED BASIS AND IS NOT TO BE USED IN ANY WAY DETRIMENTAL TO THE INTERESTS OF PANDUIT CORP.

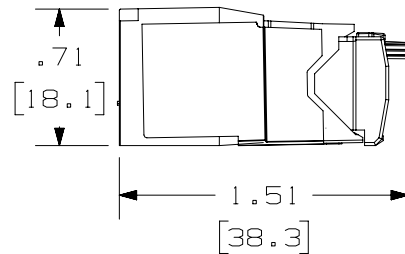
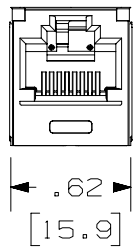


NOTES:

1. VISIT OUR ON-LINE CATALOG AT WWW.PANDUIT.COM FOR A LIST OF CURRENT PARTS APPLICABLE FOR USE WITH THIS PRODUCT.
2. DIMENSIONS IN [] ARE METRIC.
3. ALL MATERIALS AND COMPONENTS USED MEET THE MATERIAL RESTRICTIONS OF RoHS (EUROPEAN DIRECTIVE 2011/65/EU ON THE RESTRICTION OF HAZARDOUS SUBSTANCES) AS PROPOSED BY THE RoHS TECHNICAL ADAPTATION COMMITTEE.
4. WEIGHT: 1.53 LB/100 PCS [695/100 PCS]
5. PART INCLUDES:
MODULE HOUSING - ABS
WIRE CAP - PC
STRAIN RELIEF CLIP - PC
6. ALL 8 POSITION, 8 WIRE KEYED MODULES ARE T568B WIRING SCHEMES.
7. ALL PVIQ TX6 10GIG 8 POSITION, 8 WIRE, KEYED JACK COUPLES ARE MADE TO ACCEPT ONLY PVIQ KEYED PLUG MODULES.



ACTUAL SIZE



PART NUMBER		CJQ6X88TGBL		
TITLE		PVIQ TX6 10GIG MODULAR KEYED JACK MODULE		
ITEM REVISION NAME		CUSTOMER DRAWING		
DATASET FILE NAME		00075SKQ/00		
MATERIAL		00075SKQ-DC01/00A		
DRAWN BY		THIRD ANGLE PROJECTION		
DATE		SEE NOTE 5		
CHK		DRAWING NUMBER		
SCALE		00075SKQ-01		
REV		SHEET 1 OF 1		
BY		A		
CHK				
APR				
DESCRIPTION				
ECN				

00A	3-23-22	BJN	ROJC	JEFK	RELEASED TO PRODUCTION	M09000QA
REV	DATE	BY	CHK	APR	DESCRIPTION	ECN