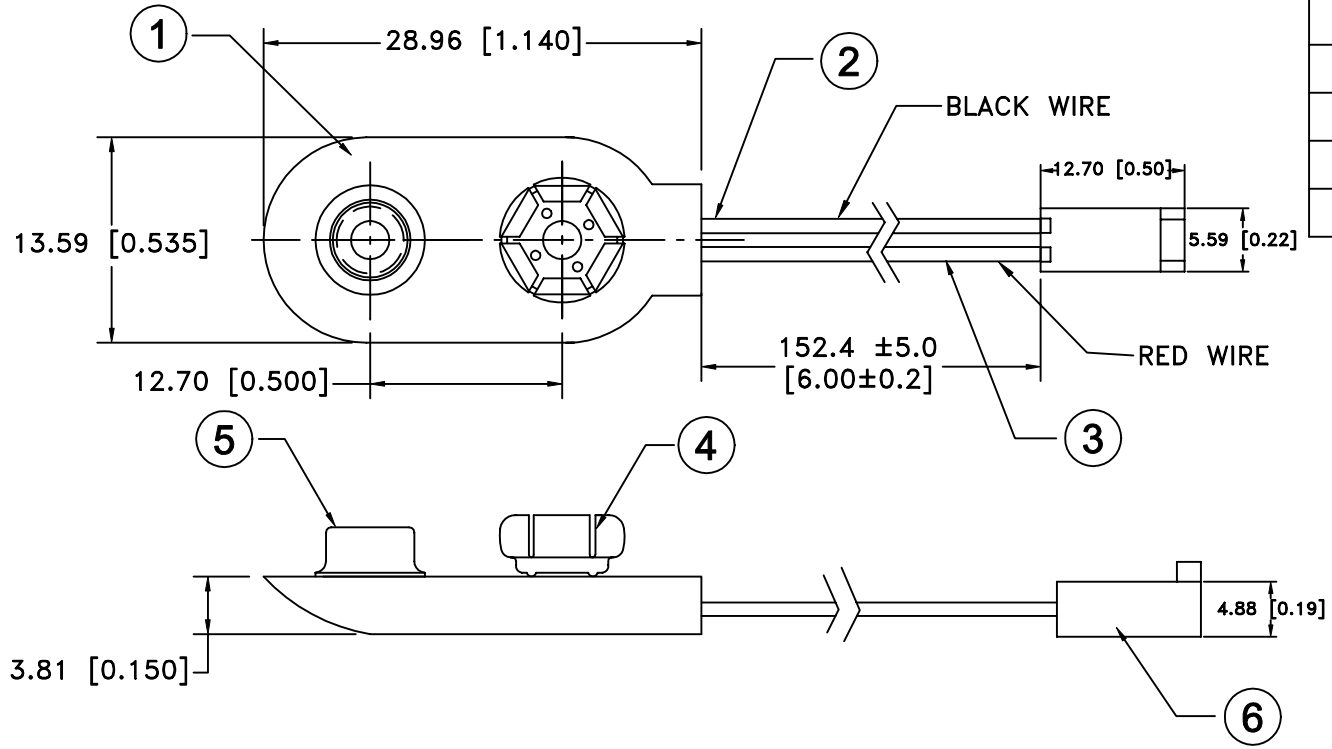



Date	SYM	REVISION RECORD	AUTH	DR.	CK.



NO.	PART NAME	MATERIAL	QTY.	Tolerance	Memory Protection Devices, Inc	
1	COVER	PVC COVER OVER FIBERBOARD	1	(Except as noted)	 200 Broad Hollow Road, Farmingdale, New York 11735	
2	BLACK WIRE(-)	24 AWG OR 26 AWG, UL-1007, CSA TR-64, 300V, 80°C	1	decimal		
3	RED WIRE (+)	24 AWG OR 26 AWG, UL-1007, CSA TR-64, 300V, 80°C	1	±.5 (.020)	Scale	Drawn By B.S.
4	FEMALE SNAP	BRASS, NICKLE PLATED	1	Fractional	Approved By T.B.	
5	MALE SNAP	BRASS NICKLE PLATED	1	± .8 (.030)	Title	
6	CONNECTOR	RED HOUSNG WITH BRASS TIN PLTD CONTACT	1	Angular	9 VOLT BATTERY SNAP-I STYLE W/MPD-411 CONNECTOR	
				± 3°	Date	Drawing Number
					02/22/03	BS6I-411