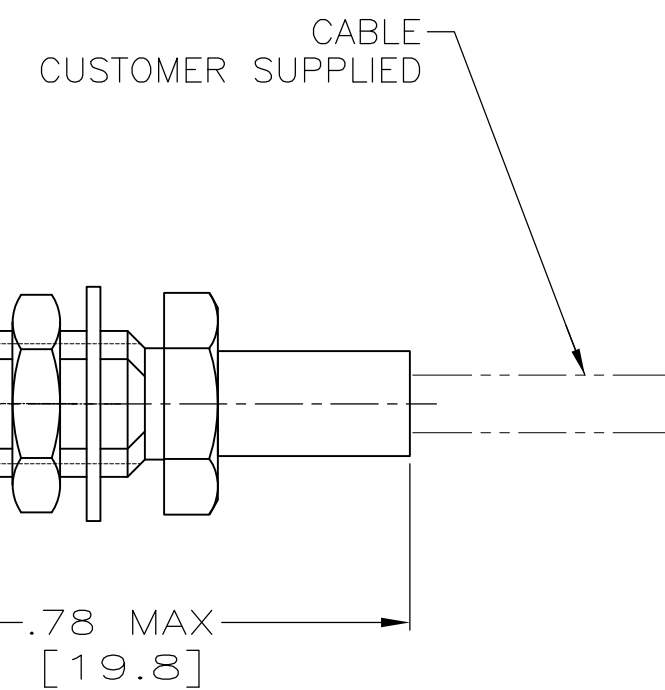
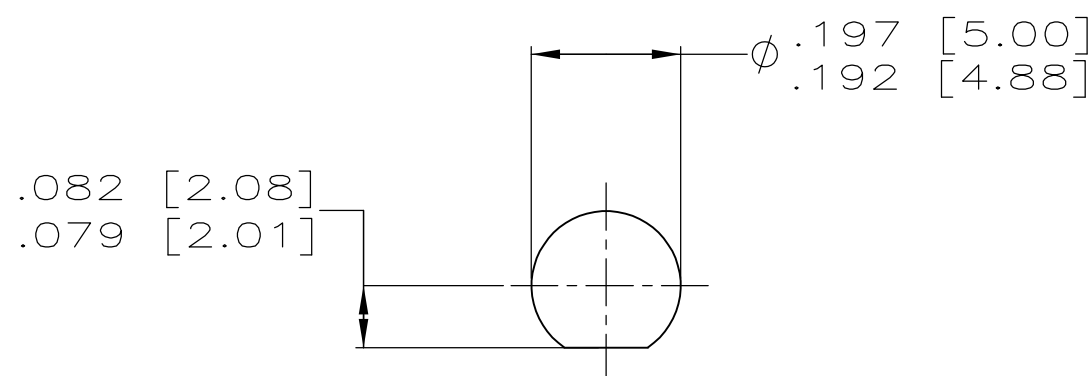
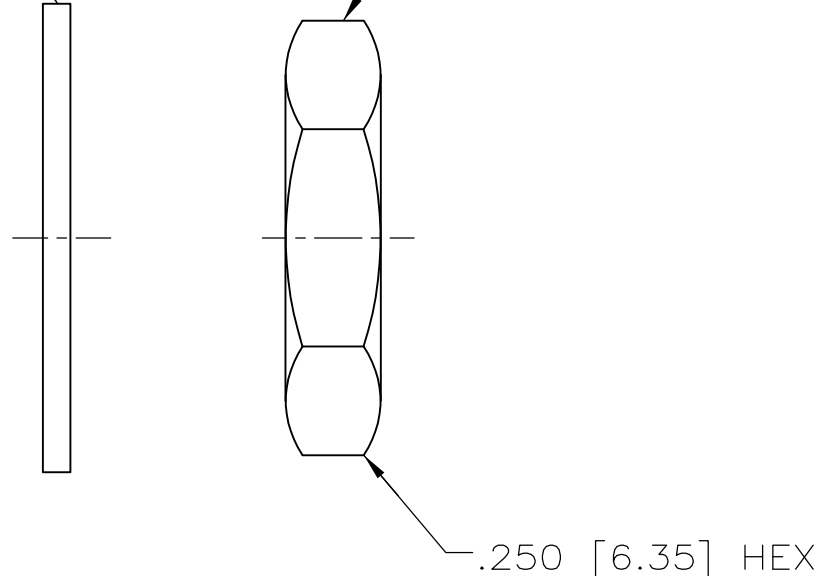
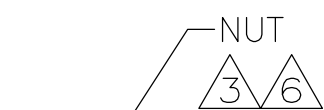
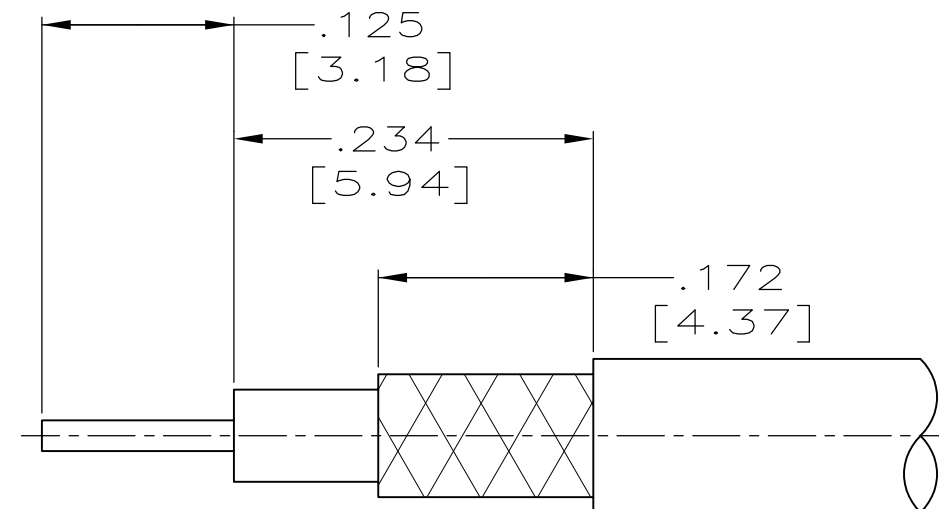
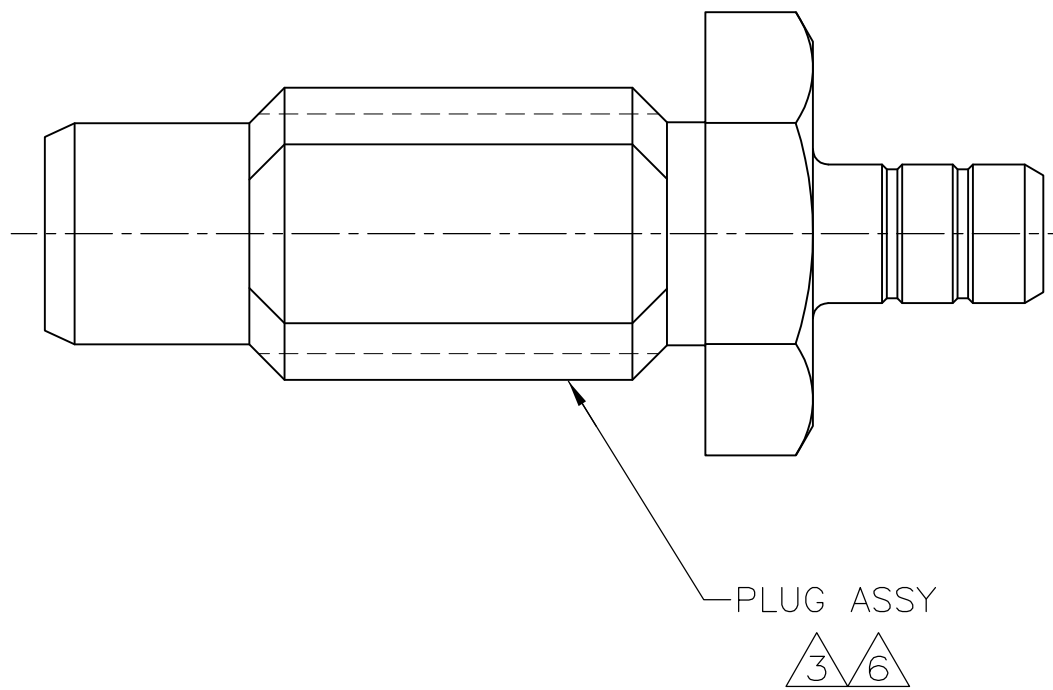
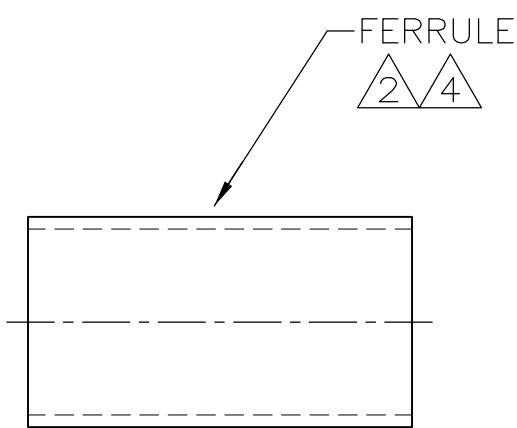
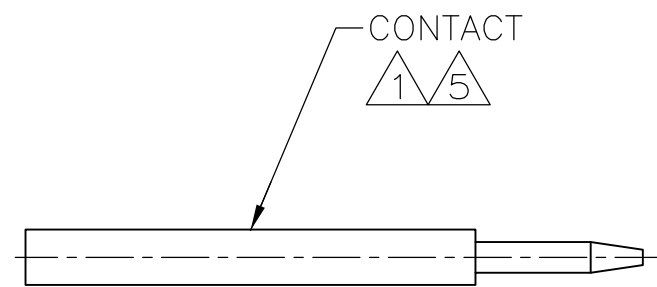


THIS DRAWING IS UNPUBLISHED. RELEASED FOR PUBLICATION
 © COPYRIGHT - By - ALL RIGHTS RESERVED.

PROD CODE	LOC	DIST	REVISIONS			
P	LTR	DESCRIPTION	DATE	DWN	APVD	
3346	DF	X0	M1	ECR-12-005726	27MAR12	RK MY



- 1 MAT'L: BERYLLIUM COPPER PER ASTM-B-196.
- 2 MAT'L: COPPER PER ASTM-B-152.
- 3 MAT'L: BRASS PER ASTM-B-16.
- 4 FINISH: MATTE TIN PLATED PER MIL-T-10727.
- 5 FINISH: GOLD PLATE PER MIL-G-45204 OVER NICKEL PER QQ-N-290.
- 6 FINISH: GOLD PLATE PER MIL-G-45204 OVER COPPER PER MIL-C-14550.
- 7 MAT'L: PHOPHOR BRONZE PER QQ-B-750.
- 8. DIELECTRICS ARE PTFE PER MIL-P-19468.
- 9. CRIMP WITH TOOL #220020-1; SEE I.S.2224.
- 10. FOR USE WITH RG-174 AND 188 COAX CABLE.

51751-1
PART NO.

THIS DRAWING IS A CONTROLLED DOCUMENT.		DWN C.C.THOMAS 8-5-93	TE Connectivity	
DIMENSIONS: mm [INCHES]		CHK J.CABARLO 9-7-93		
TOLERANCES UNLESS OTHERWISE SPECIFIED:		APVD J.CABARLO 9-7-93	NAME	
0 PLC ± -		PRODUCT SPEC	COAXICON-SMC,BULKHEAD JACK KIT,RF	
1 PLC ± -		APPLICATION SPEC	SIZE	CAGE CODE
2 PLC ± -		WEIGHT	A2	00779
3 PLC ± .015 [0.38]		CUSTOMER DRAWING	DRAWING NO	RESTRICTED TO
4 PLC ± -			C=51751-1	-
ANGLES ± -			SCALE	SHEET
FINISH			8:1	1 of 1
SEE CALLOUTS			REV	M1