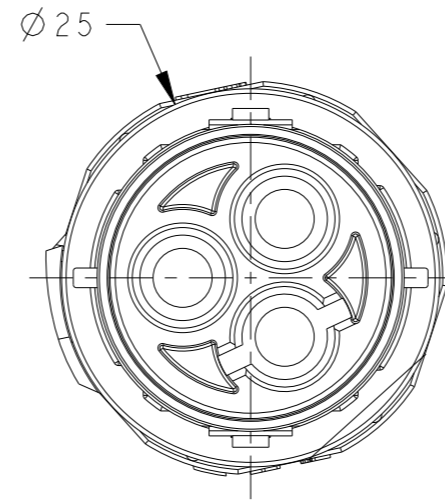
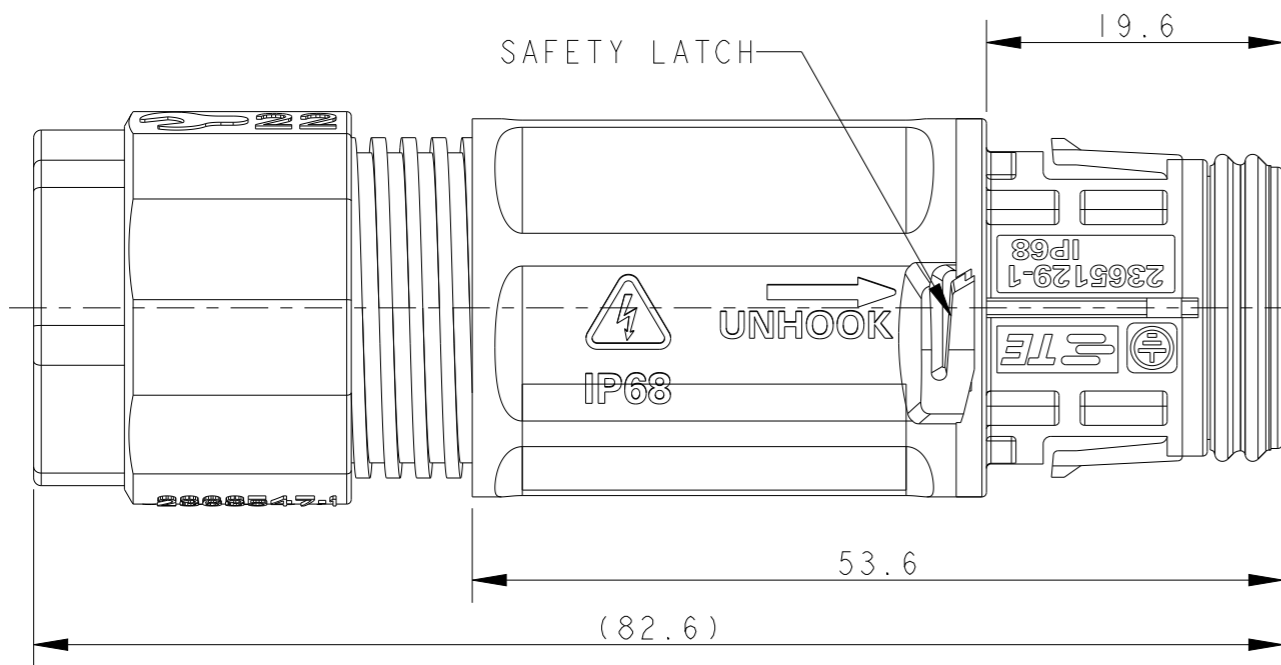


P	LTR	DESCRIPTION	DATE	DWN	APVD
3		DRAFTING UPDATES	29OCT2020	SM	MZ
A		PRODUCT UNDER TESTING	24NOV2020	SM	MZ
A1		18AWG WIRE SIZE ADDED	27JAN2022	DM	SM
A2		RELEASED	18MAR2022	SM	MZ



NOTES:

CONTACTS SUPPLIED SEPARATELY ON REELS, MUST PURCHASED ACCORDING TO WIRE SIZES. BELOW ARE THE CONTACT PART NUMBERS:

CONTACT P/N	WIRE SIZE
2359528-1	1.5mm <sup>2</sup> TO 2.5mm <sup>2</sup> 16AWG TO 14AWG
2359528-2	4.0mm <sup>2</sup> 12AWG
2359528-3	18AWG

2. MATERIALS:

PLASTICS: PBT+PC ALLOY, UL-V0, UV-FI  
CONTACTS: COPPER ALLOY, TIN PLATED  
SCREWS : STAINLESS STEEL

3. OPERATING RATINGS :

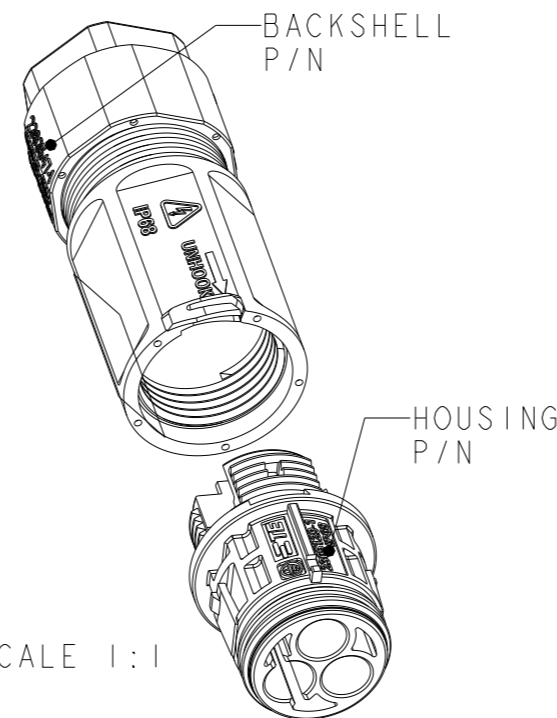
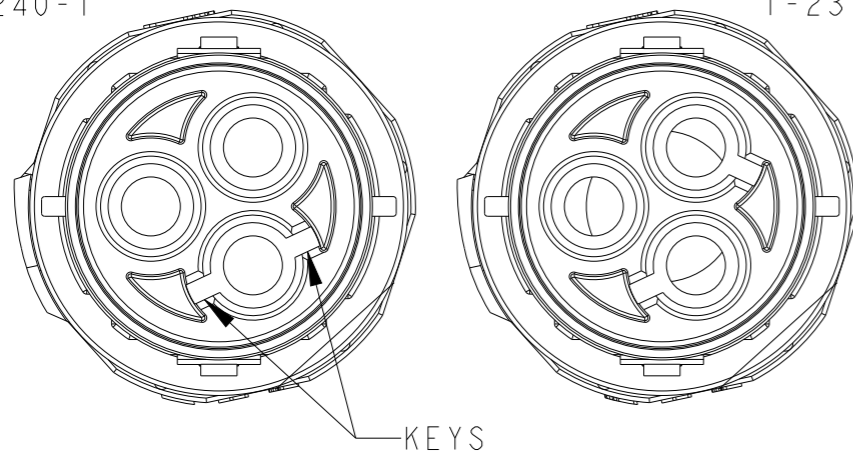
VOLTAGE (max): 600Vac Max  
CURRENT (max): 25A ON 4.0mm<sup>2</sup> & 20A ON 12AWG  
TEMPERATURE : -40°C TO 85°C  
IP RATING : IP67 & IP68

4. FOR ASSEMBLY INSTRUCTIONS, REFER APPLICATION SPECIFICATION 114-133123

5. PACKAGING: PPQ 200 pcs IN TRAY

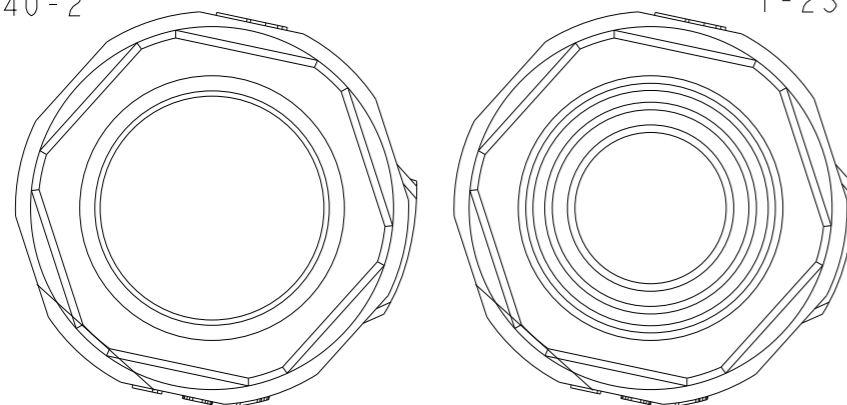
POLARIZING KEY A  
2379240-1  
1-2379240-1

POLARIZING KEY B  
2379240-2  
1-2379240-2



BACKSHELL FOR  
2379240-1  
2379240-2

BACKSHELL FOR  
1-2379240-1  
1-2379240-2



2363547-2	2365129-2	KEY B	Ø7 - Ø10	IN-LINE PIN CONNECTOR	1-2379240-2
	2365129-1	KEY A			1-2379240-1
2363547-1	2365129-2	KEY B	Ø10.5 - Ø15		2379240-2
	2365129-1	KEY A			2379240-1
BACKSHELL P/N	HOUSING ASSY P/N	POLARIZING KEY	CABLE RANGE	DESCRIPTION	PART NUMBER

THIS DRAWING IS A CONTROLLED DOCUMENT.

DIMENSIONS:	TOLERANCES UNLESS OTHERWISE SPECIFIED:
mm	
0 PLC	±0.2
1 PLC	±0.2
2 PLC	±0.1
3 PLC	±
4 PLC	±
ANGLES	±1°
MATERIAL	FINISH
-	-
-	-

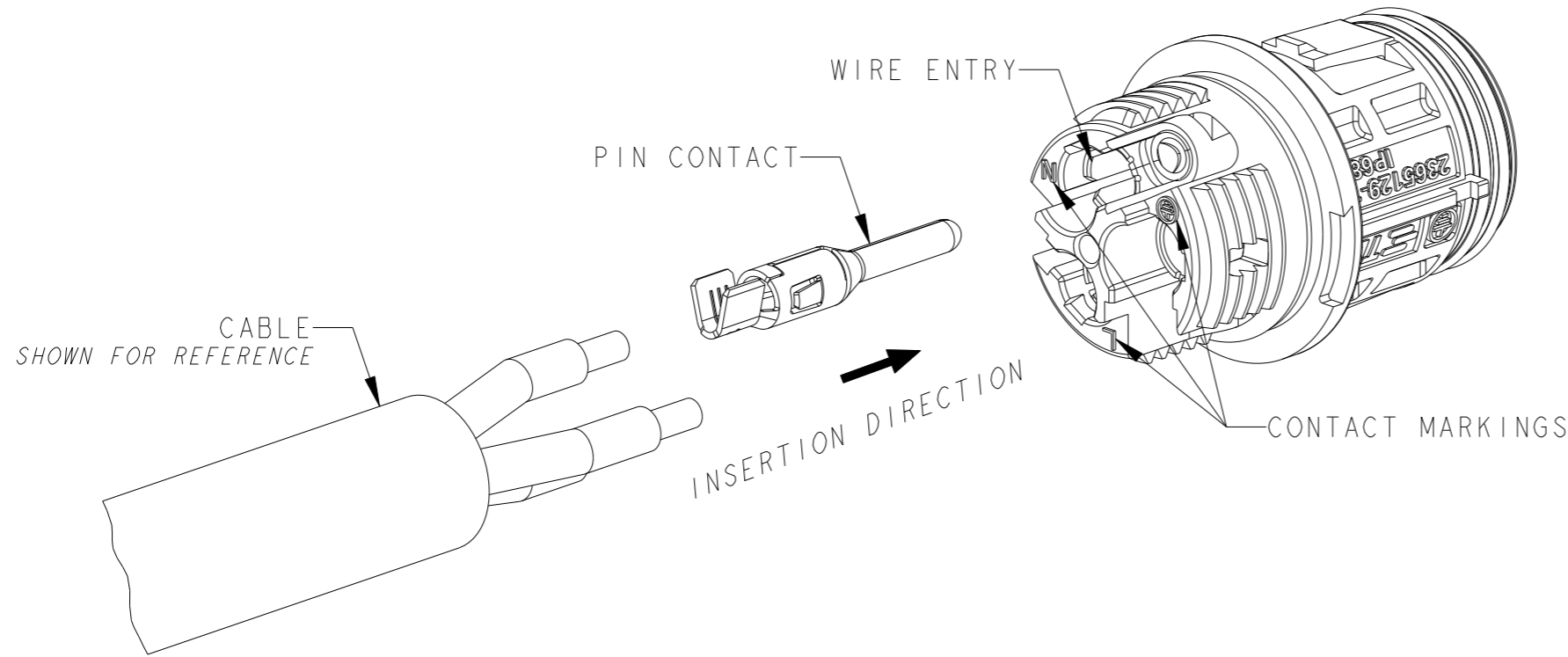
DWN	28AUG2020
SUBHASH. M	
CHK	28AUG2020
M. ZUCCA	
APVD	24NOV2020
PETER.OTT	
PRODUCT SPEC	108-133123
APPLICATION SPEC	114-133123
WEIGHT	-
CUSTOMER DRAWING	

<b>TE</b> TE Connectivity			
NAME NECTOR T, 3Pos, PIN CONNECTOR CRIMP TYPE			
SIZE	CAGE CODE	DRAWING NO	RESTRICTED TO
A3	00779	C-2379240	-
SCALE		SHEET	REV
2:1		1 OF 2	A2

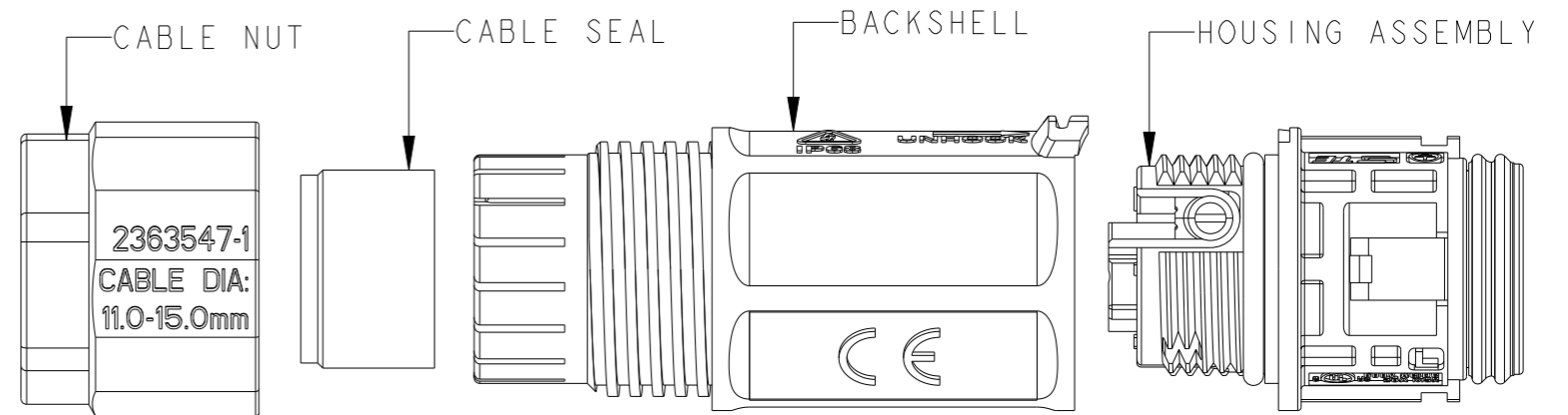
REVISIONS

P	LTR	DESCRIPTION	DATE	DWN	APVD
-	-	SEE SHEET 1	-	-	-

CRIMP TERMINATION  
 REFER 114-133123 FOR DETAILED INSTRUCTION  
 NOT TO SCALE



EXPLODED COMPONENTS  
 NOT TO SCALE



THIS DRAWING IS A CONTROLLED DOCUMENT.		DWN SUBHASH. M 28AUG2020														
DIMENSIONS: mm		CHK M. ZUCCA 28AUG2020														
TOLERANCES UNLESS OTHERWISE SPECIFIED:		APVD PETER.OTT 24NOV2020	NAME NECTOR T, 3Pos, PIN CONNECTOR CRIMP TYPE													
<table border="1"> <tr> <td>0 PLC</td> <td>±0.2</td> </tr> <tr> <td>1 PLC</td> <td>±0.2</td> </tr> <tr> <td>2 PLC</td> <td>±0.1</td> </tr> <tr> <td>3 PLC</td> <td>±</td> </tr> <tr> <td>4 PLC</td> <td>±</td> </tr> <tr> <td>ANGLES</td> <td>±1°</td> </tr> </table>		0 PLC	±0.2	1 PLC	±0.2	2 PLC	±0.1	3 PLC	±	4 PLC	±	ANGLES	±1°	PRODUCT SPEC 108-133123	SIZE A3	
0 PLC	±0.2															
1 PLC	±0.2															
2 PLC	±0.1															
3 PLC	±															
4 PLC	±															
ANGLES	±1°															
MATERIAL -		APPLICATION SPEC 114-133123	CAGE CODE 00779	DRAWING NO C-2379240												
FINISH -		WEIGHT -	RESTRICTED TO -													
-		CUSTOMER DRAWING	SCALE 2:1	SHEET 2 OF 2												
-			REV A2													