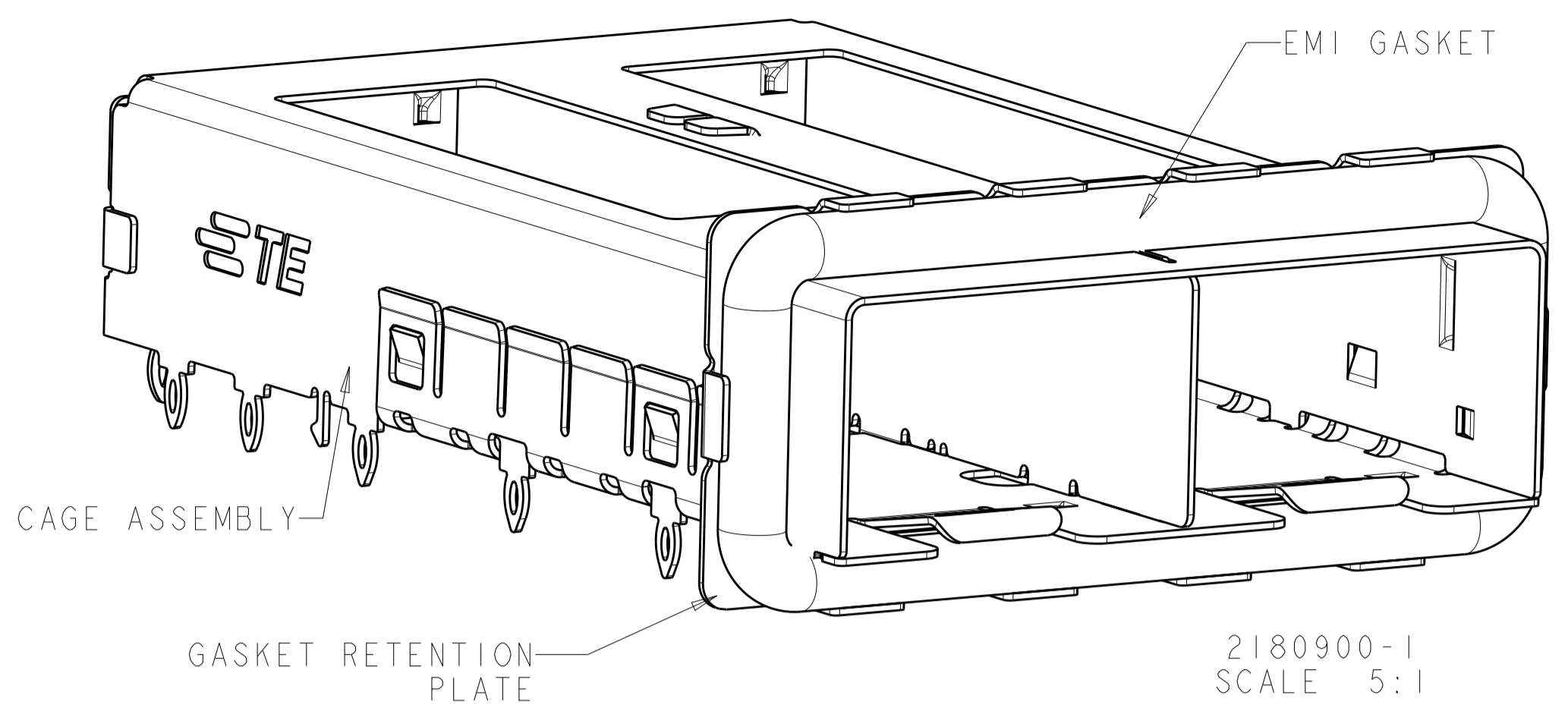
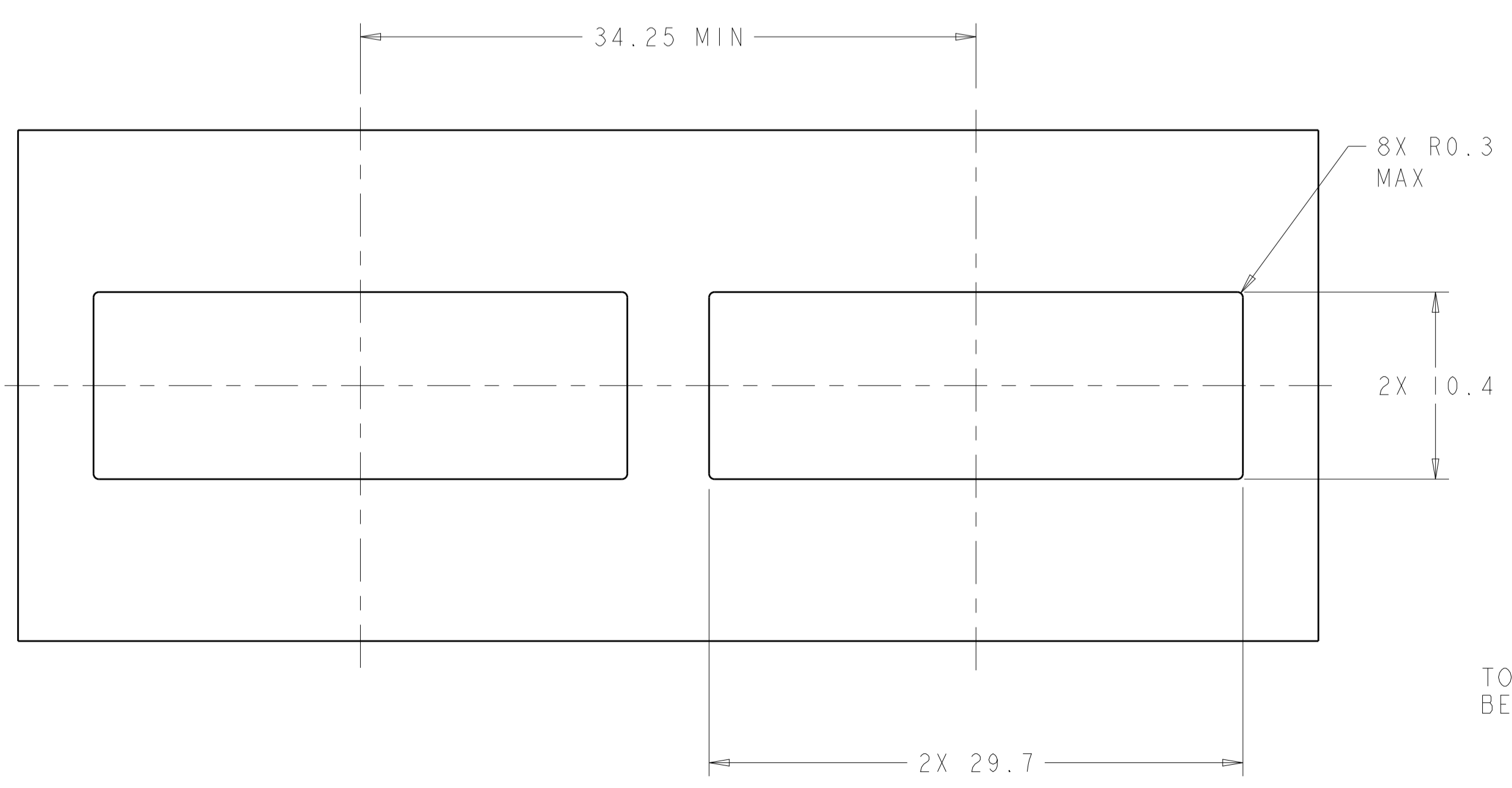
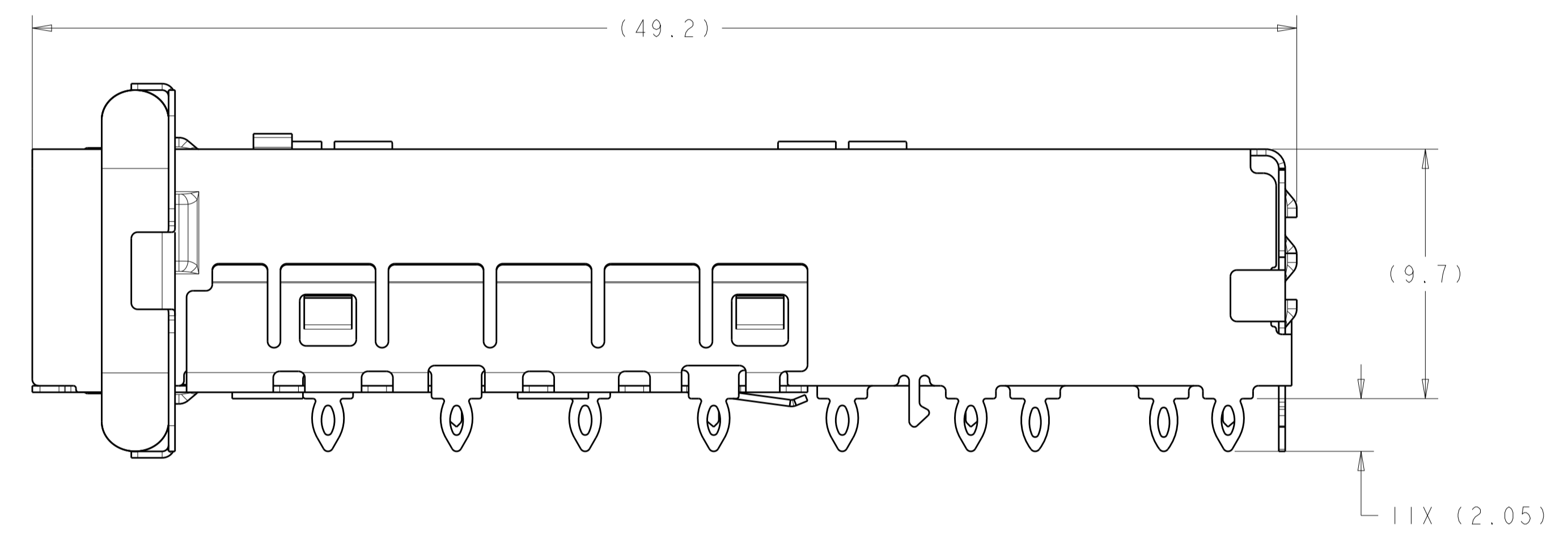
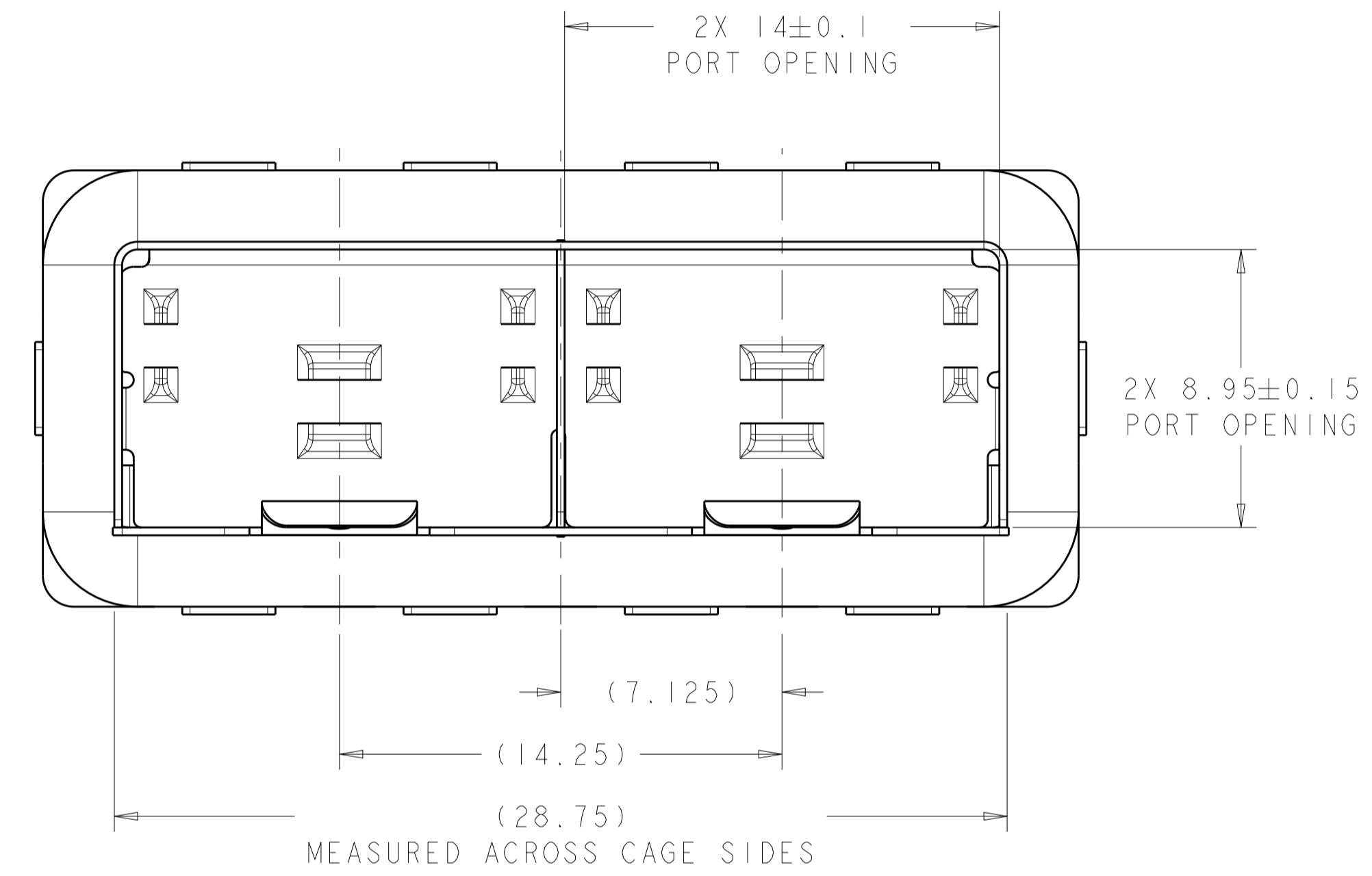


LOC	DIST	REVISIONS			
GP	00	REV	DATE	BY	CHKD
		A	RELEASED PER ECO-12-013192	04SEP2012	BMM MRS

- 1 MATERIAL:
 CAGE ASSEMBLY: 0.25mm THICK NICKEL SILVER ALLOY
 GASKET RETENTION PLATE: STAINLESS STEEL
 EMI GASKET: PLATED FILLED SILICONE
- 2 DATUM AND BASIC DIMENSIONS ESTABLISHED BY CUSTOMER.
- 3. MATES WITH SFP MSA COMPLIANT RECEIVERS.
- 4 PADS AND VIAS CHASSIS GROUND.
- 5. INTERPRETATION OF DATUM REFERENCE FRAME IN ACCORDANCE WITH SECT 4.4.1.1 OR ASME Y14.5M-1994.
- 6 MINIMUM PC BOARD THICKNESS:
 SINGLE SIDED: 1.5mm
- 7 HOLE PATTERN REPEATS FOR EACH PORT, SPACING BETWEEN PORTS IS 14.25mm.
- 8 REFERENCE APPLICATION SPEC. 114-13120, HOLE A, FOR RECOMMENDED DRILL HOLE DIAMETER AND PLATING THICKNESS.
- 9 REFERENCE APPLICATION SPEC. 114-13120, HOLE B, FOR RECOMMENDED DRILL HOLE DIAMETER AND PLATING THICKNESS.
- 10. CERTAIN MATING TRANCEIVERS MAY REQUIRE ADDITIONAL PCB THICKNESS THAT WOULD NEED TO BE DETERMINED BY THE CUSTOMER.

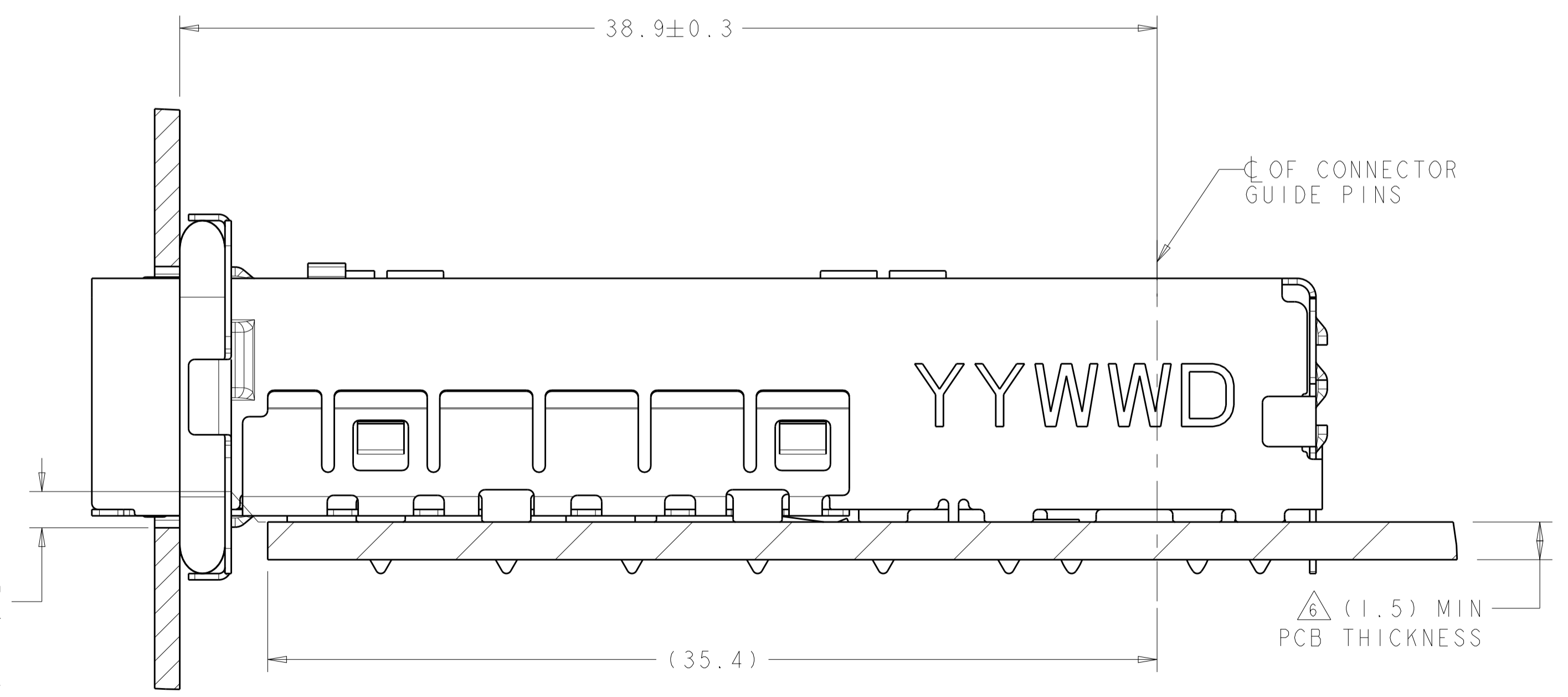


2180900-1
SCALE 5:1



RECOMMENDED BEZEL CUT-OUT
SINGLE SIDED APPLICATIONS
SCALE 4:1

0.23^{+0.10}_{-0.14}
TOP OF PCB
TO INSIDE OF
BEZEL CUTOUT

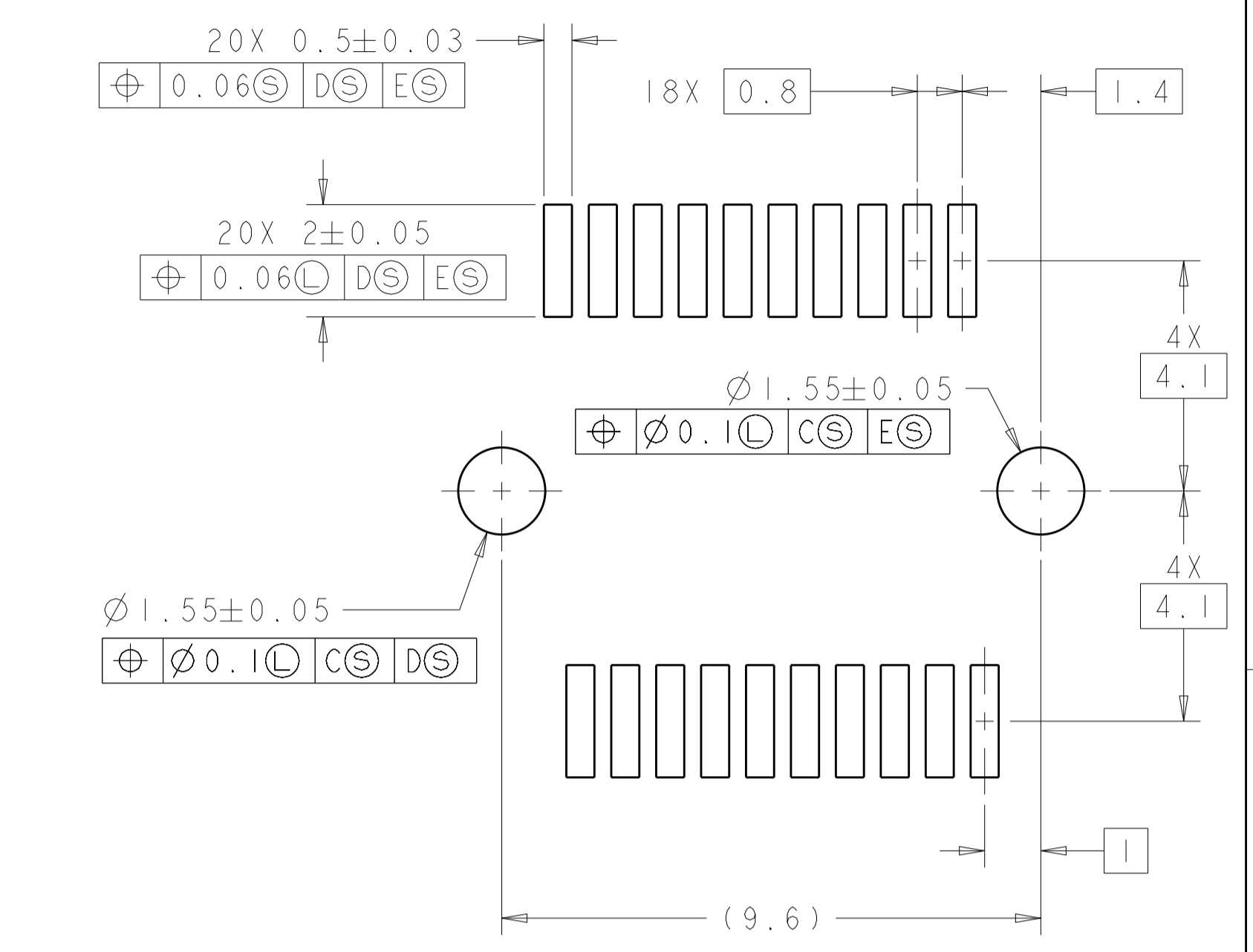
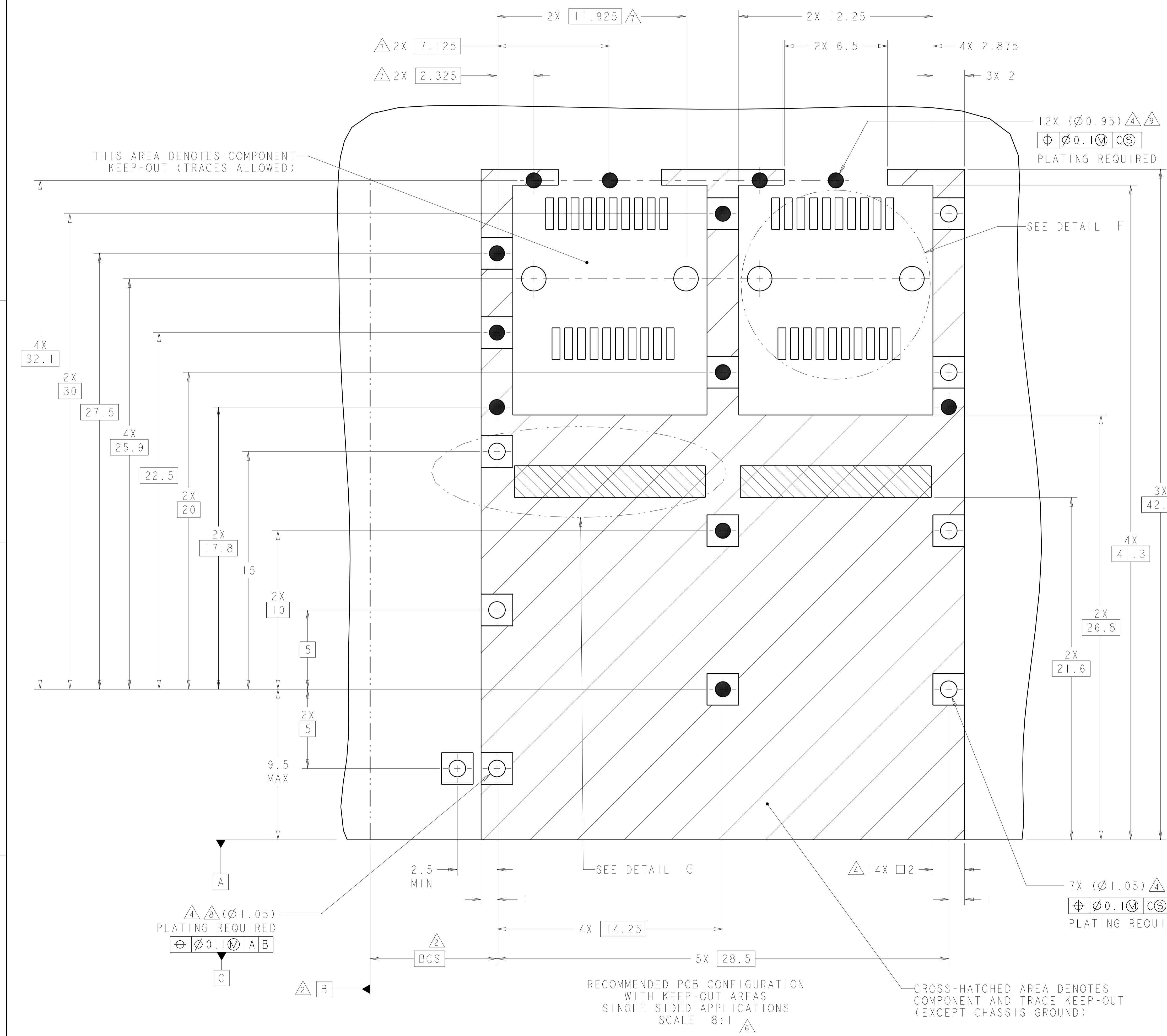


2180900-1
MOUNTED ON PC BOARD
SHOWN THRU RECOMMENDED BEZEL

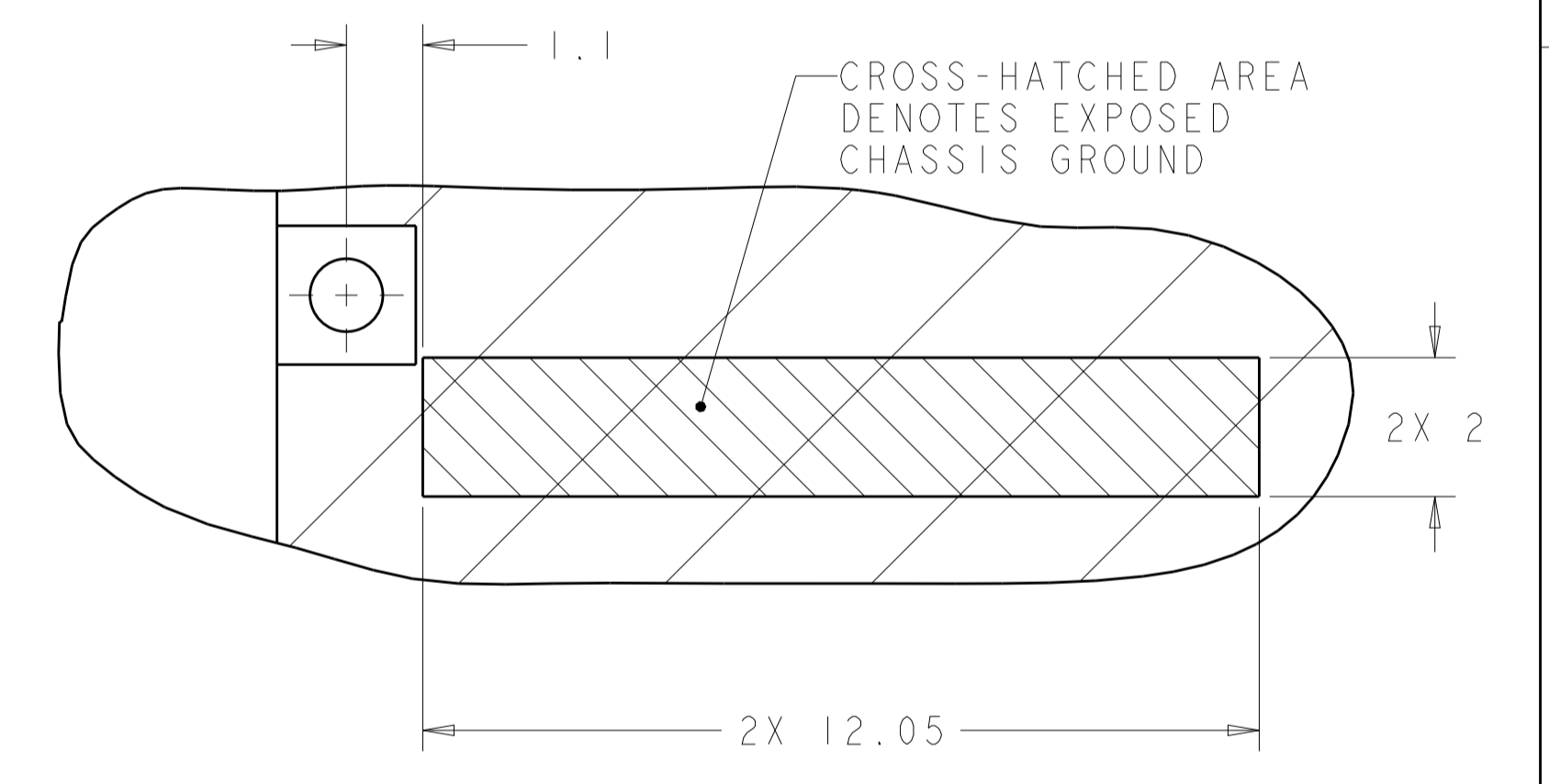
THIS DRAWING IS A CONTROLLED DOCUMENT.		OWN: B. MATTHEWS 20JUL2011	TE Connectivity NAME: SFP+ ENHANCED 1X2 CAGE ASSEMBLY, PRESS-FIT, EMI GASKET
DIMENSIONS: mm		CHK: M. SCHMITT 20JUL2011	
TOLERANCES UNLESS OTHERWISE SPECIFIED:		APVD: M. SCHMITT 20JUL2011	PRODUCT SPEC: 108-2364
0 PLC ±0.13 1 PLC ±0.1 2 PLC ±0.08 3 PLC ±0.05 4 PLC ±0.05 ANGLES ±1		APPLICATION SPEC: 114-13120	RESTRICTED TO: -
MATERIAL:		WEIGHT: -	SIZE: A100779
FINISH:		CUSTOMER DRAWING	SCALE: 6:1 SHEET 1 OF 2 REV A

2180900-1
PART NUMBER

LOC	DIST	REVISIONS					
GP	00	P	LTN	DESCRIPTION	DATE	DMN	APVD
		-	-	SEE SHEET 1	-	-	-



DETAIL F
SCALE 10:1



DETAIL G
SCALE 10:1

PLATING REQUIRED
Ø1.05
Ø0.10
A
B

RECOMMENDED PCB CONFIGURATION
WITH KEEP-OUT AREAS
SINGLE SIDED APPLICATIONS
SCALE 8:1

THIS DRAWING IS A CONTROLLED DOCUMENT.		DMN: B. MATTHEWS 20JUL2011	TE Connectivity NAME: SFP+ ENHANCED 1X2 CAGE ASSEMBLY, PRESS-FIT, EMI GASKET
DIMENSIONS: mm		CHK: M. SCHMITT 20JUL2011	
TOLERANCES UNLESS OTHERWISE SPECIFIED:		APVD: M. SCHMITT 20JUL2011	PRODUCT SPEC
0 PLC	±0.13	108-2364	APPLICATION SPEC
1 PLC	±0.1	114-13120	WEIGHT
2 PLC	±0.08		
3 PLC	±0.05		
4 PLC	±0.05		
ANGLES	±0.5		
MATERIAL	FINISH		
CUSTOMER DRAWING		SCALE: 6:1	SHEET 2 OF 2 REV A