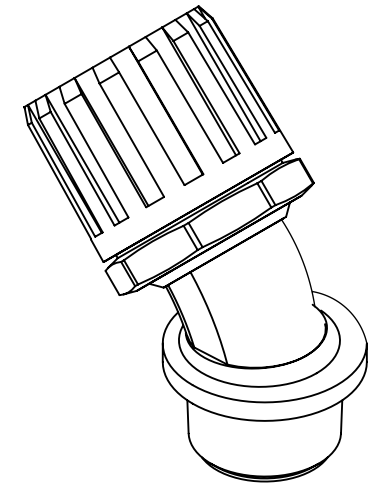
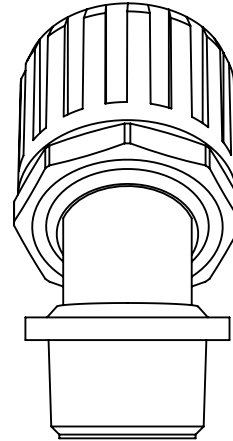
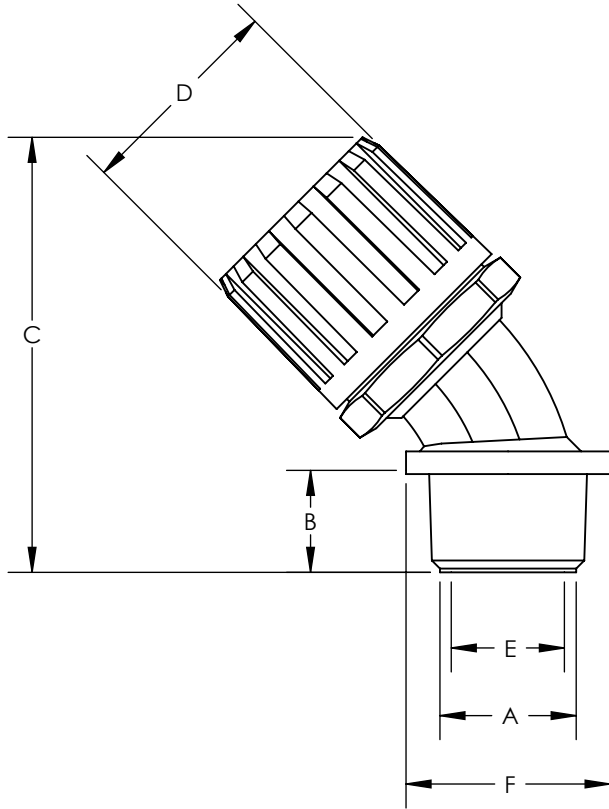


SW2014



Revision level			Revision Record	Changed	Date	Approved	Date
Drawing	State	Part					
00.0	Design Release		SEE ECN# 013596	GRW	10/24/2016	KAC	10/24/2016



Conduit Size		Euro Size	HellermannTyton Part Number	Manufacturer Reference Number	NPT Thread	Dimension (mm)									
in.	mm	(NW)				A		B		C		D		E	
3/8	16	NA	PSR038-45-0380	MPC45-16-038	3/8 NPT	0.51	13	1.77	45	1.10	28	0.41	10.5	1.06	27
1/2	20	NA	PSR050-45-0500	MPC45-20-050	1/2 NPT	0.51	13	1.85	47	1.30	33	0.57	14.5	1.06	27
3/4	25	NA	PSR075-45-0750	MPC45-25-075	3/4 NPT	0.59	15	2.17	55	1.65	42	0.75	19.0	1.30	33
1.00	32	NA	PSR100-45-1000	MPC45-32-100	1 NPT	0.63	16	2.52	64	1.89	48	0.97	24.5	1.58	40

Material
PA66

Units: inches
Dimension without tolerances details to:
.xxxx = ±.0005
.xxx = ±.005
.xx = ±.01
.x = ±.03
None = ±.06
∠ = ±0.5°
Dimension Formatted in/[mm]

The copyright of this drawing is reserved by HellermannTyton. It is issued on condition that it is not reproduced, copied, or disclosed to a third party, either wholly or in part, without the consent of HellermannTyton.

Drawn GRW 10/24/2016
Approved KAC 10/24/2016

HellermannTyton
North America
Email: corp@htamericas.com
Web: www.hellermann.tyton.com

Article/Type-No PSR-45 SERIES
Title **HELAGUARD 2-PIECE 45 DEGREE ELBOW NYLON COMPRESSION FITTING, NPT THREAD IP65**
Drawing-No PRODUCTION : Phase
15-0832-001-CSU

Scale 1:1
Project Number PRP 15-0832
Format AH
Sheet 1/1