

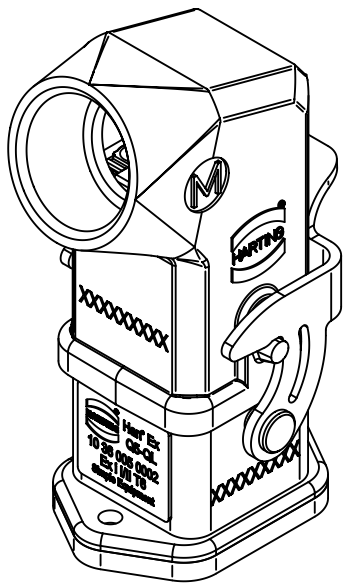
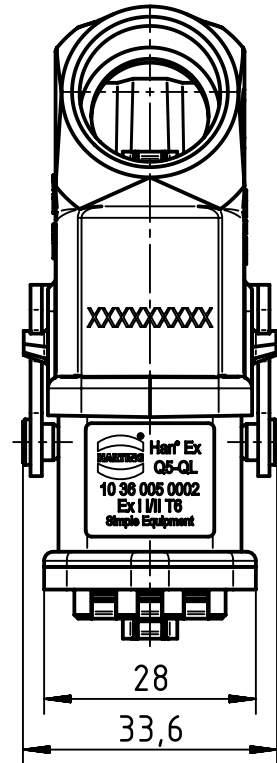
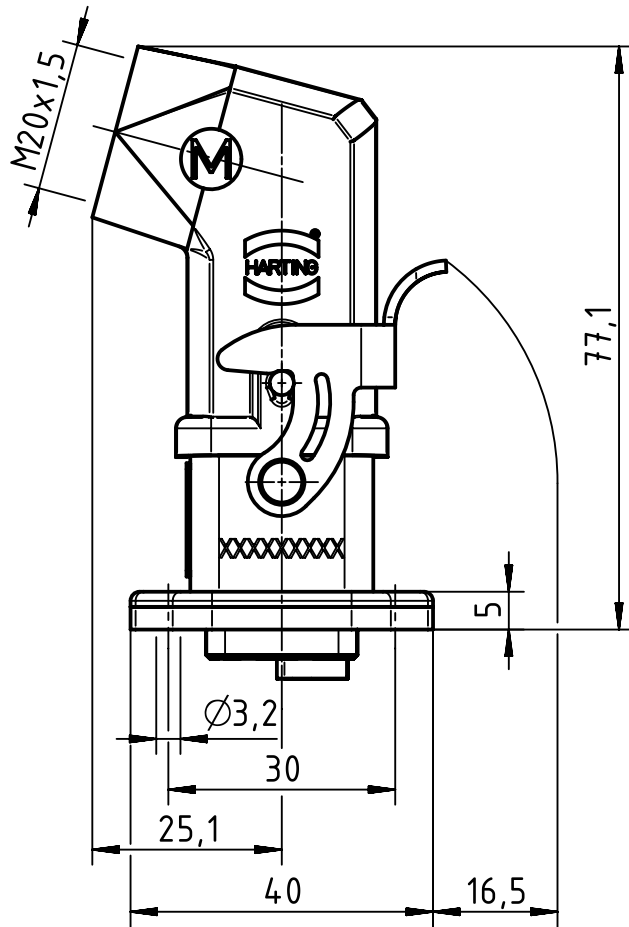
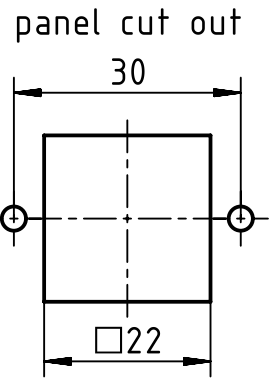
1 2 3 4 5 6

A

B

C

D



	All rights reserved Department EL PD - DE HARTING Electric GmbH & Co. KG D-32339 Espelkamp	All Dimensions in mm Original Size DIN A4		Scale 1:1	Free size tol.	Ref. Sub.
		Created by HARLASSK	Inspected by MOOR	Standardisation TIEMANNA	Date 2015-05-19	State Final Release
Title Han Ex Q5-QL Kit HBM/HSE-M20					Doc-Key / ECM-Nr. 100570494/UGD/002/B 500000089331	
Type TB		Number 10 36 005 0002		Rev. B	Page 1/1	