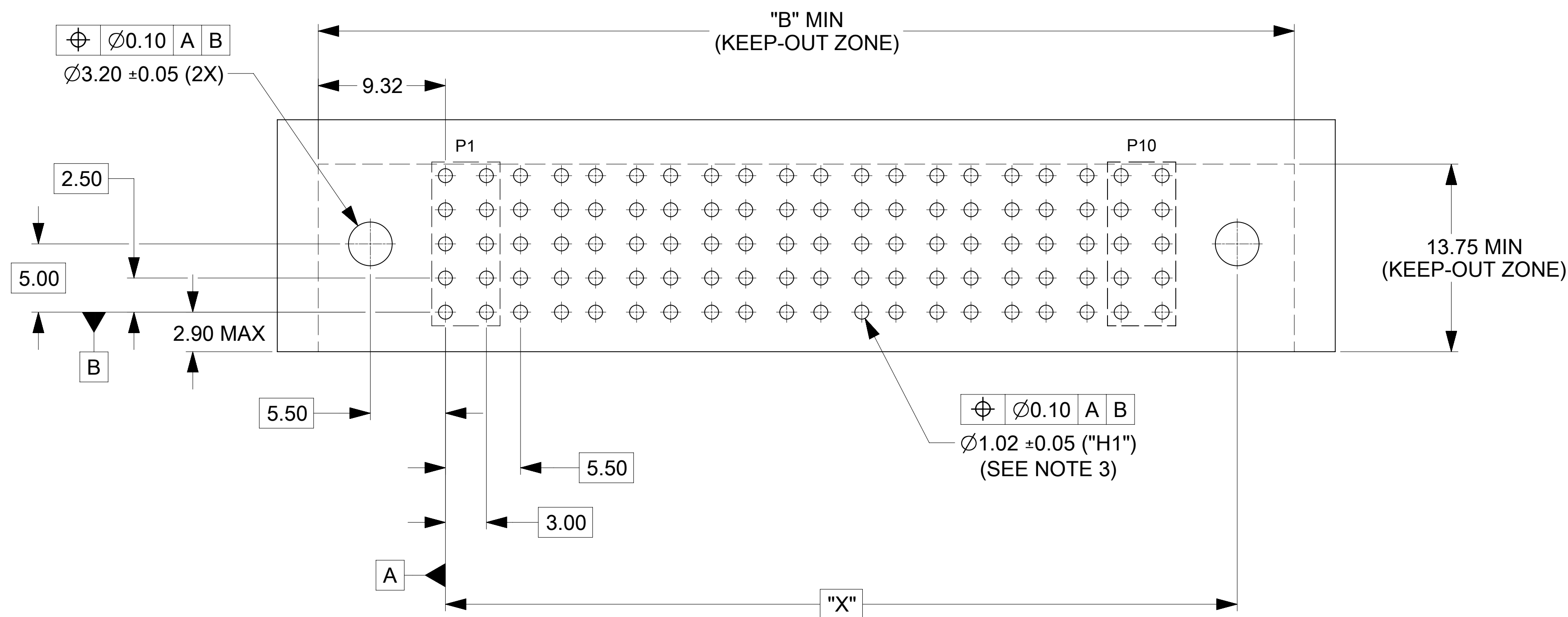


- NOTES:
- MATERIAL:
 - HOUSINGS: LCP UL94, V-0, COLOR : BLACK
 - TERMINALS: HIGH CONDUCTIVITY COPPER ALLOY
 - PLATING: 1.27 MICROMETER (50 MICROINCH) NICKEL OVERALL WITH 2.54 MICROMETER (100 MICROINCH) SELECTIVE TIN ON TAILS AND 0.762 MICROMETER (30 MICROINCH) SELECTIVE GOLD ON CONTACT AREA
 - PACKAGING: ASSEMBLIES TO BE TRAY PACKED PER PACKAGING SPEC: 464371001-PK
 - PLATED THRU HOLE SIZE, REFER TO PS-46436-100 FOR DETAILS
 - PRODUCT SPEC: PS-46436-100
 - PRODUCT TO MEET RoHS REQUIREMENTS
 - ASSEMBLY MATES TO MOLEX RECEPTACLE ASSEMBLY P/N 46562-**** AND 46436-**** (SEE TABLE IN SHEET 2)
 - TAIL DESIGN: COMPLIANT PINS
 - POWER CONTACTS ARE LUBRICATED.
 - APPLICATION SPEC: AS-46436-100.
 - MOLEX LOGO TO BE LOCATED APPROXIMATELY AS SHOWN.

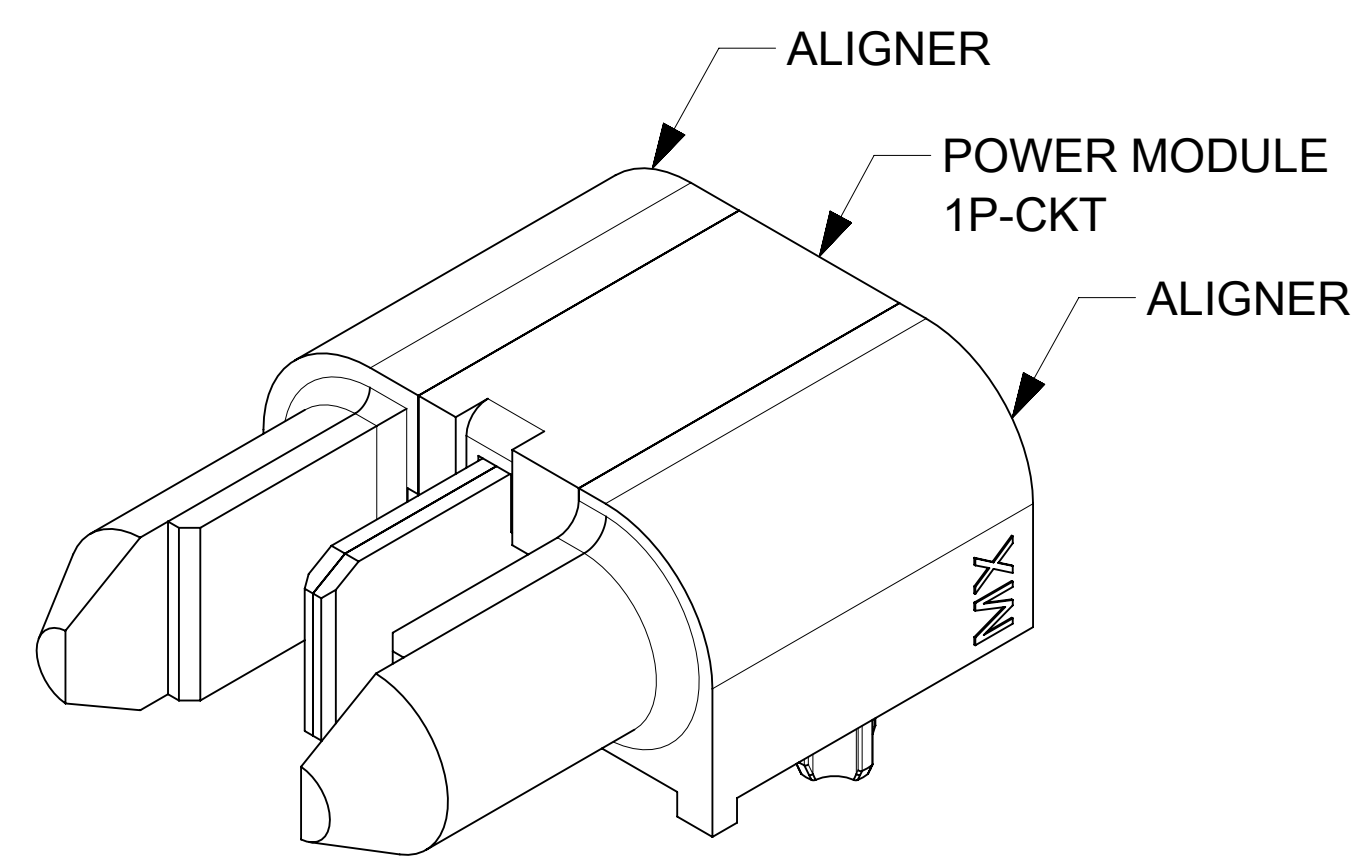


RECOMMENDED PCB LAYOUT AND KEEP-OUT ZONE FOR G-(1P TO 10P)-G

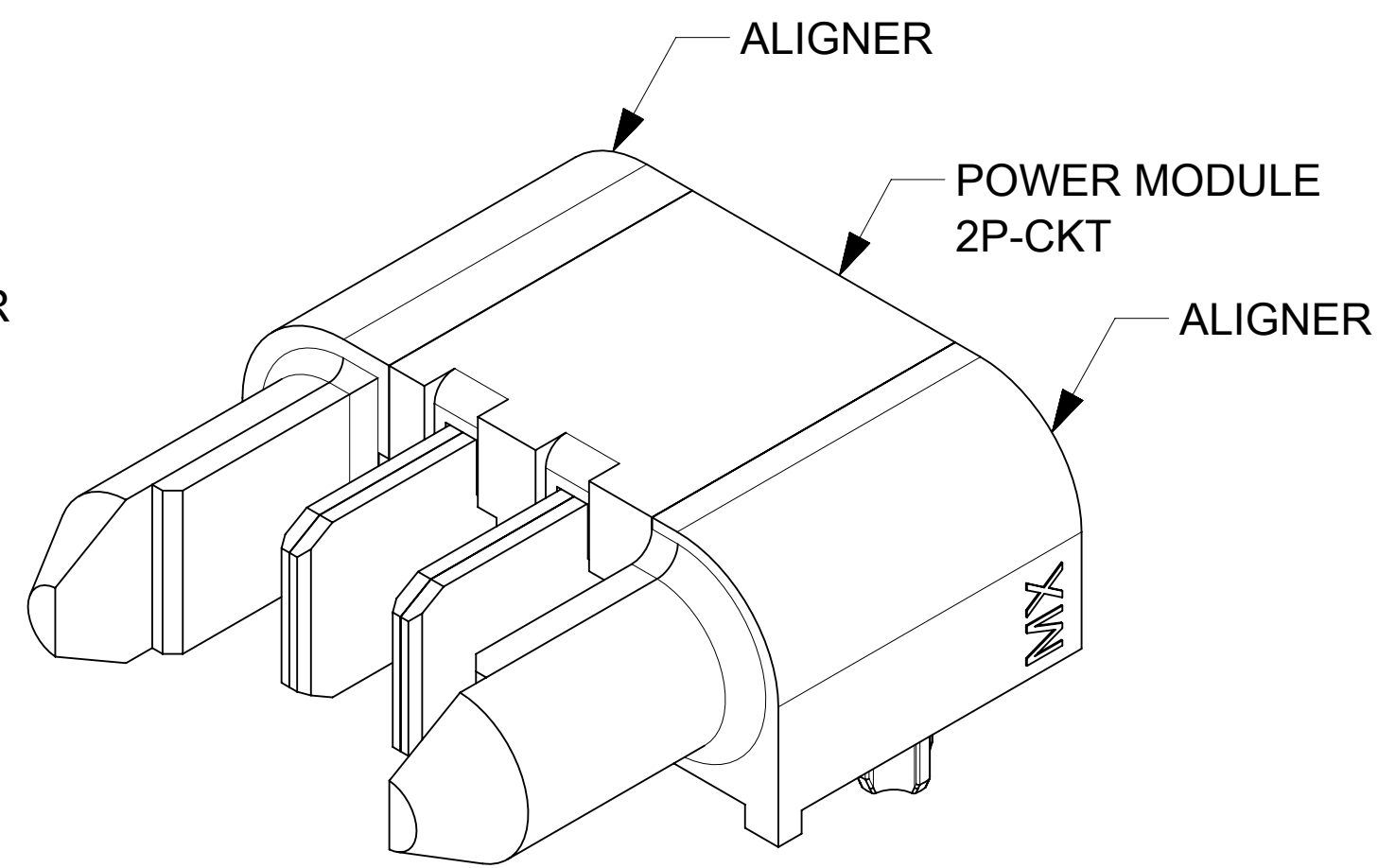
DIMENSION UNITS		SCALE	CURRENT REV DESC: ADDED ISOMETRIC VIEWS		
mm		4:1			
GENERAL TOLERANCES (UNLESS SPECIFIED)					
ANGULAR TOL	±	0.5°			
4 PLACES	±		EC NO: 689821		
3 PLACES	±		DRWN: HARSHG	2021/12/13	
2 PLACES	±	0.13	CHK'D: GJEEVANSURES	2021/12/22	
1 PLACE	±	0.25	APPR: HTHYAGARAJ	2022/02/14	
0 PLACES	±		INITIAL REVISION:		
DRAFT WHERE APPLICABLE MUST REMAIN WITHIN DIMENSIONS			DRWN: KSUTAR	2021/08/11	
THIRD ANGLE PROJECTION			APPR: HTHYAGARAJ	2021/10/21	
DRAWING		SERIES			
D-SIZE		46437			
MATERIAL NUMBER		CUSTOMER			
SEE TABLE		GENERAL MARKET			
DOCUMENT NUMBER		DOC TYPE	DOC PART	REVISION	
464379310		PSD	000	A1	
SHEET NUMBER					
1 OF 3					

REFER TO BELOW TABLE FOR DIMENSIONS.

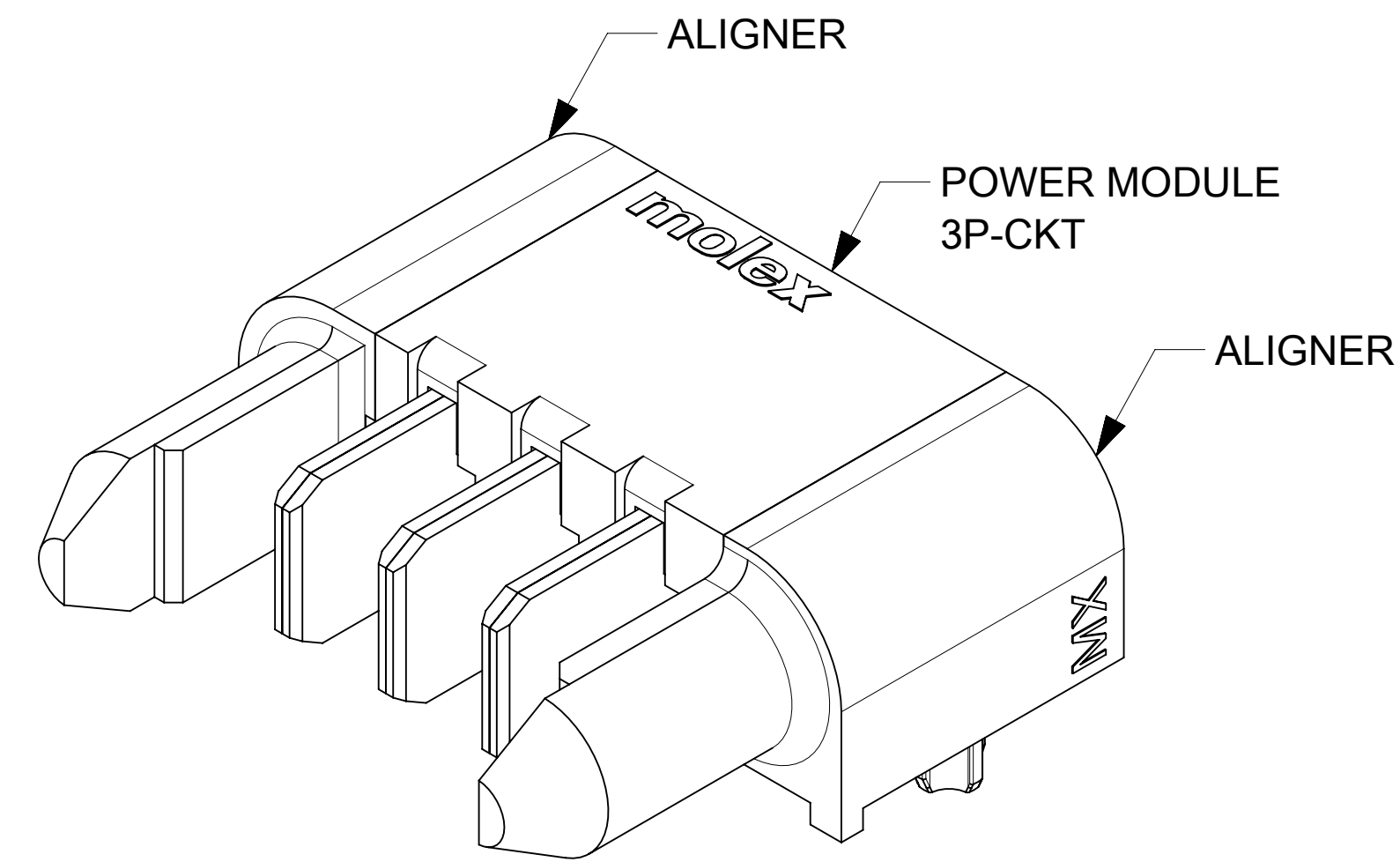
FG P/N	CONFIGURATION	POWER CKT SIZE	DIM "A" (IN MM)	DIM "B" (IN MM)	DIM "X" (IN MM)	HOLES COUNT "H1"	MATES WITH R/A ASSY P/N	MATES WITH VERT ASSY P/N
464379301	G-1P-G	1	21.00	22.00	8.50	10	464369301	465629301
464379302	G-2P-G	2	26.50	27.50	14.00	20	464369302	465629302
464379303	G-3P-G	3	32.00	33.00	19.50	30	464369303	465629303
464379304	G-4P-G	4	37.50	38.50	25.00	40	464369304	465629304
464379305	G-5P-G	5	43.00	44.00	30.50	50	464369305	465629305
464379306	G-6P-G	6	48.50	49.50	36.00	60	464369306	465629306
464379307	G-7P-G	7	54.00	55.00	41.50	70	464369307	465629307
464379308	G-8P-G	8	59.50	60.50	47.00	80	464369308	465629308
464379309	G-9P-G	9	65.00	66.00	52.50	90	464369309	465629309
464379310	G-10P-G	10	70.50	71.50	58.00	100	464369310	465629310



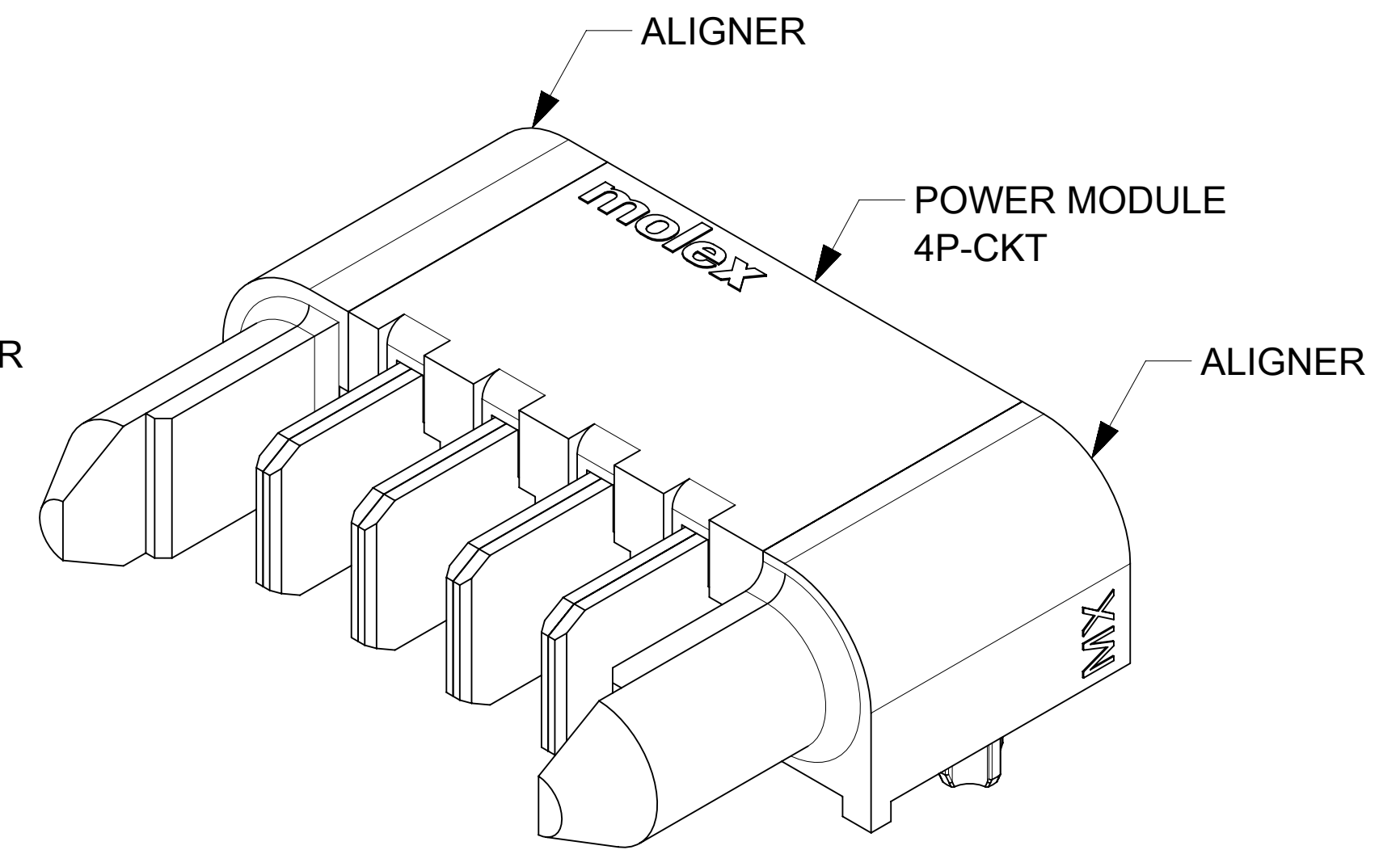
P/N : 46437-9301 (G-1P-G)



P/N : 46437-9302 (G-2P-G)



P/N : 46437-9303 (G-3P-G)



P/N : 46437-9304 (G-4P-G)

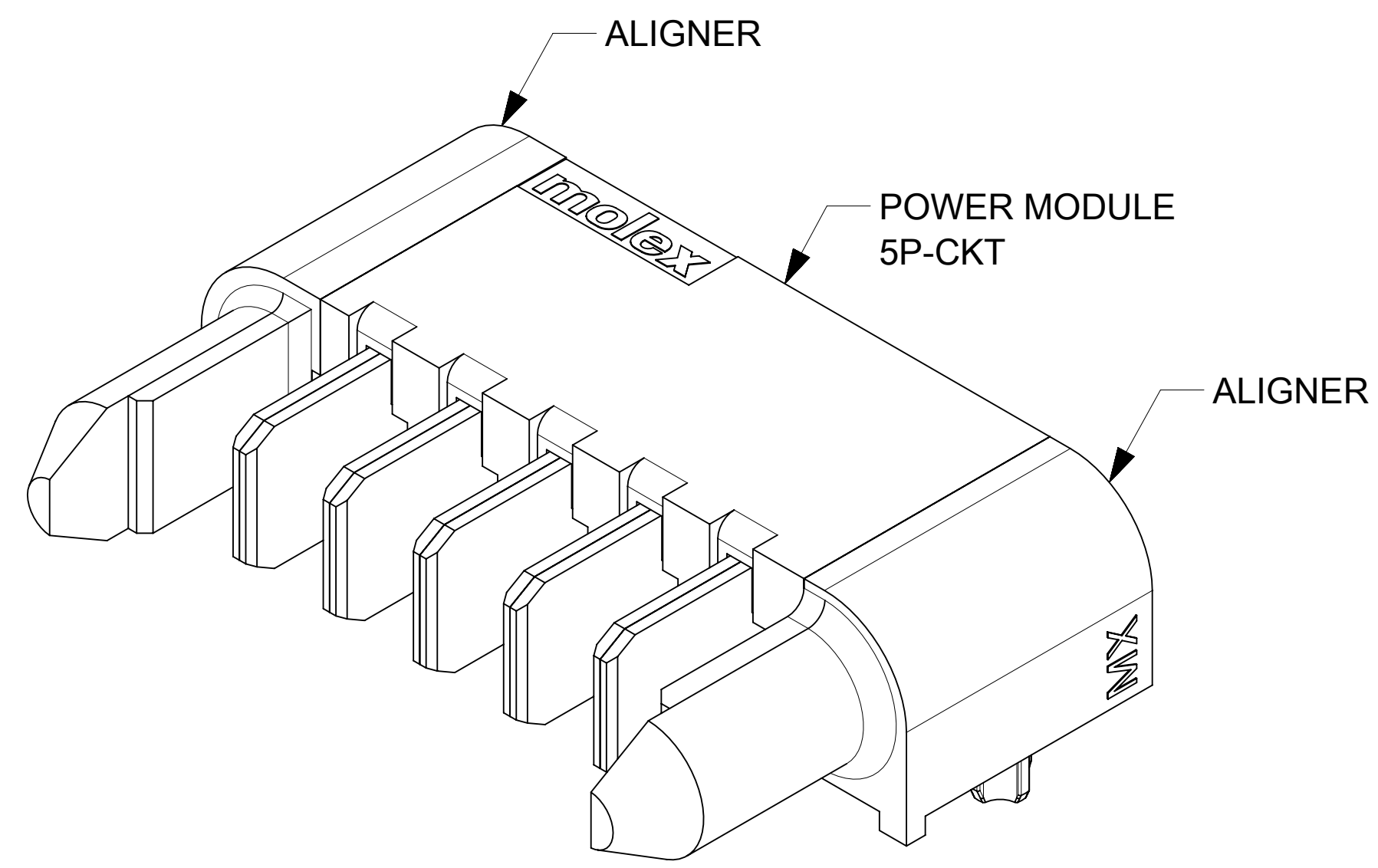
THIS DRAWING CONTAINS INFORMATION THAT IS PROPRIETARY TO MOLEX ELECTRONIC TECHNOLOGIES, LLC AND SHOULD NOT BE USED WITHOUT WRITTEN PERMISSION									
DIMENSION UNITS		SCALE		CURRENT REV DESC: ADDED ISOMETRIC VIEWS					
mm		4:1							
GENERAL TOLERANCES (UNLESS SPECIFIED)									
ANGULAR TOL ± 0.5°									
4 PLACES ±				EC NO: 689821					
3 PLACES ±				DRWN: HARSHG		2021/12/13			
2 PLACES ± 0.13				CHK'D: GJEEVANSURES		2021/12/22			
1 PLACE ± 0.25				APPR: HTHYAGARAJ		2022/02/14			
0 PLACES ±				INITIAL REVISION:					
				DRWN: KSUTAR		2021/08/11			
				APPR: HTHYAGARAJ		2021/10/21			
DRAFT WHERE APPLICABLE MUST REMAIN WITHIN DIMENSIONS				THIRD ANGLE PROJECTION		DRAWING		SERIES	
						D-SIZE		46437	
				MATERIAL NUMBER		CUSTOMER		SHEET NUMBER	
				SEE TABLE		GENERAL MARKET		2 OF 3	

molex

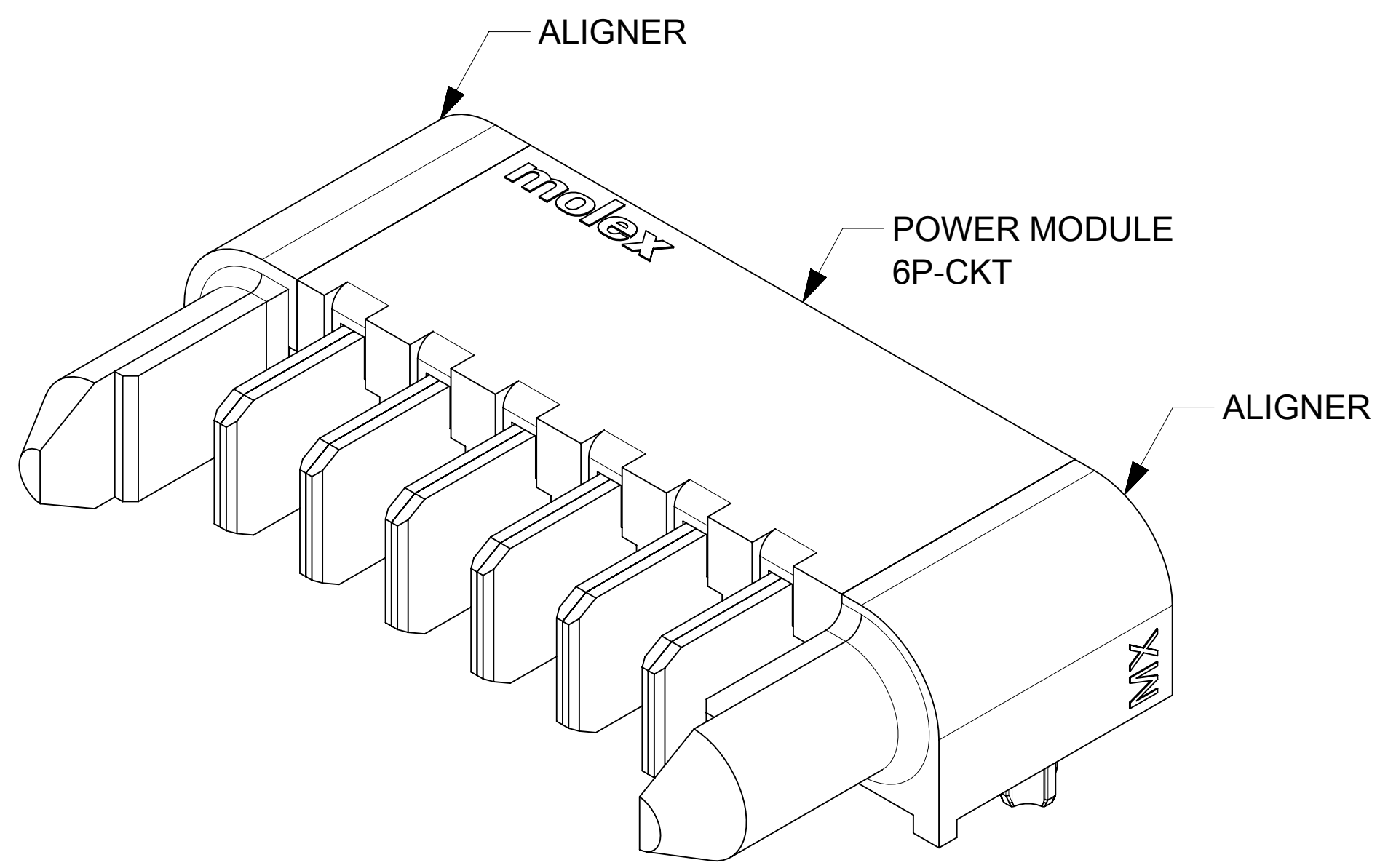
G-*P-G
R/A PLUG ASSY - TEN60 POWER FAMILY

PRODUCT CUSTOMER DRAWING

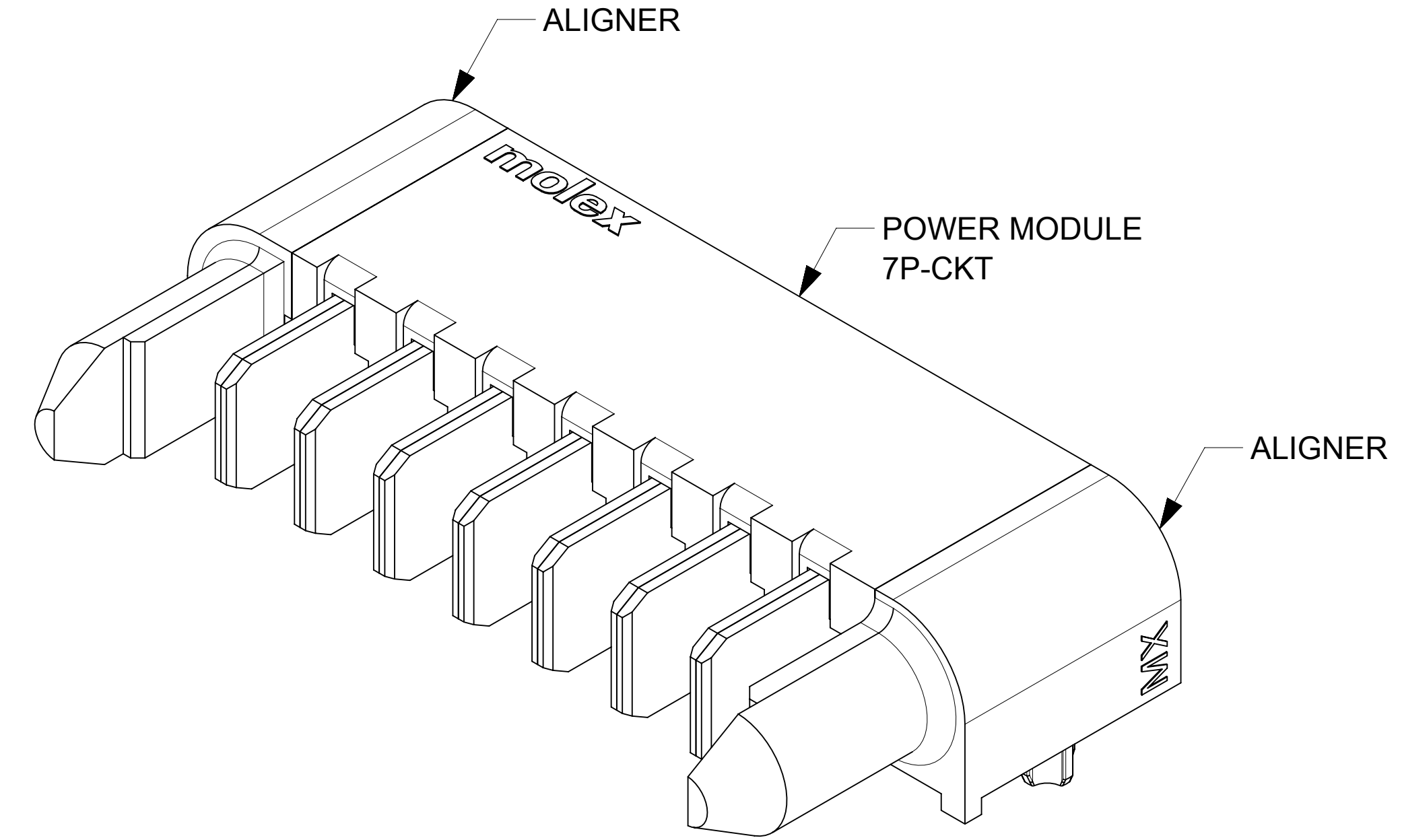
DOCUMENT NUMBER	DOC TYPE	DOC PART	REVISION
464379310	PSD	000	A1



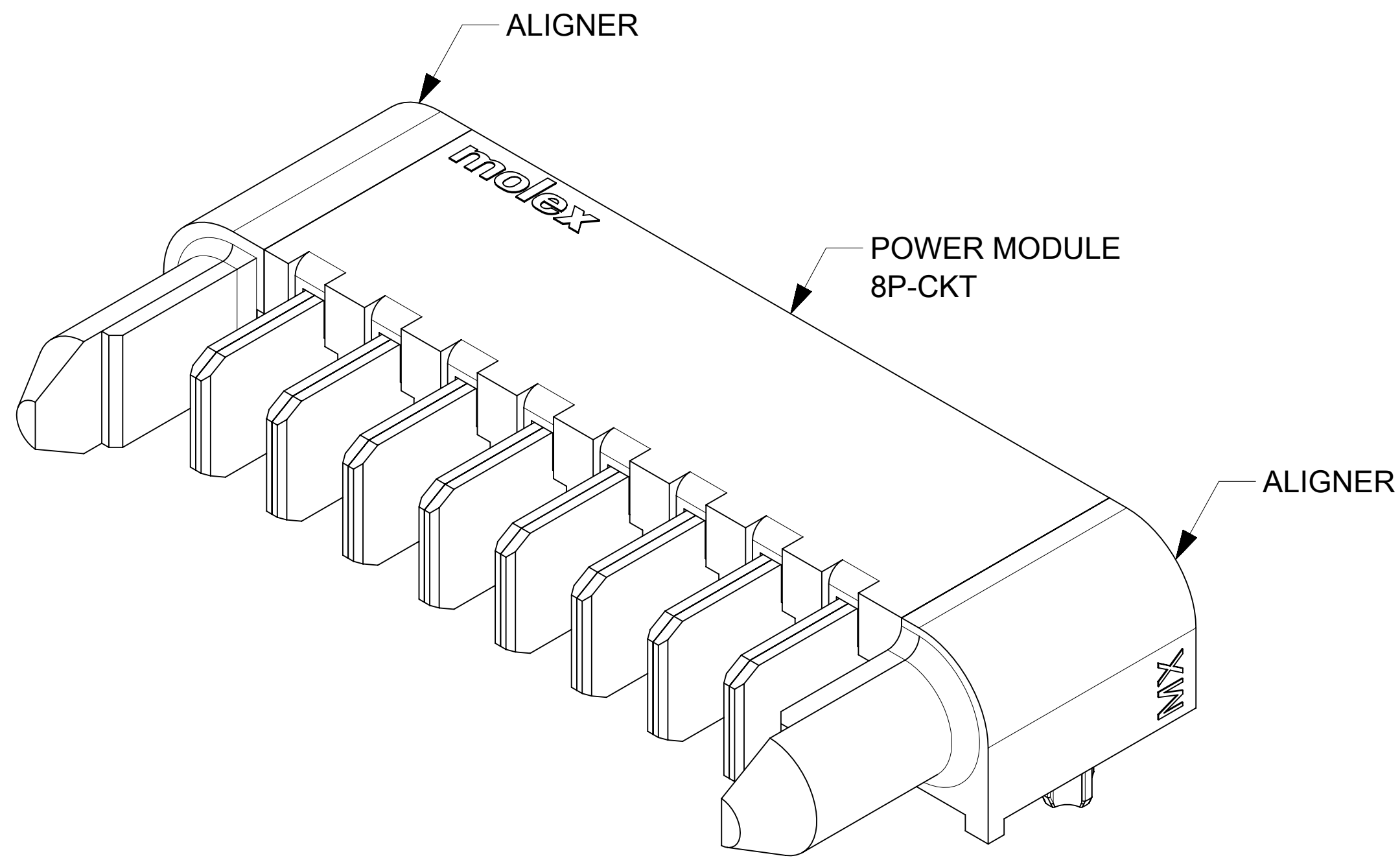
P/N : 46437-9305 (G-5P-G)



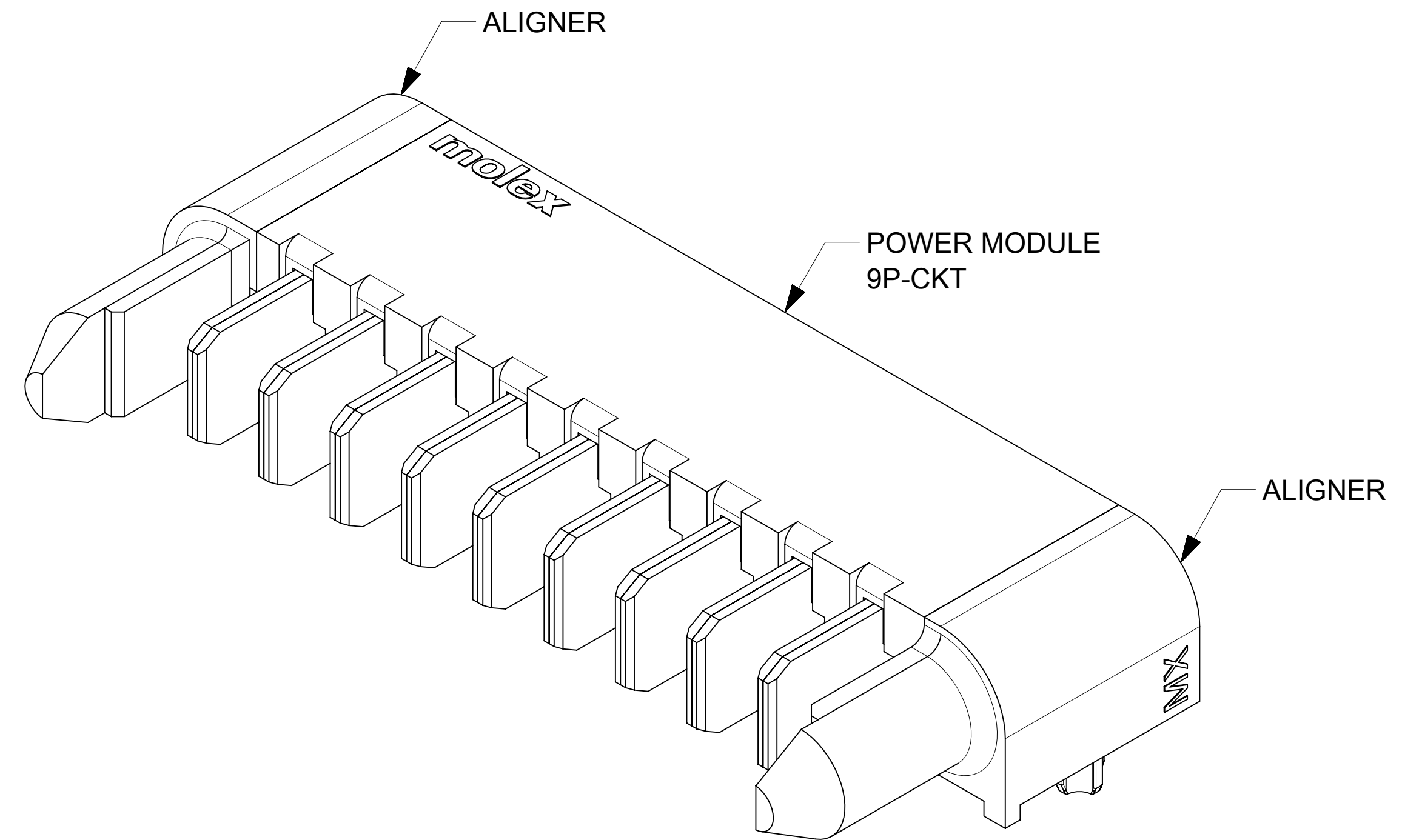
P/N : 46437-9306 (G-6P-G)



P/N : 46437-9307 (G-7P-G)



P/N : 46437-9308 (G-8P-G)



P/N : 46437-9309 (G-9P-G)

THIS DRAWING CONTAINS INFORMATION THAT IS PROPRIETARY TO MOLEX ELECTRONIC TECHNOLOGIES, LLC AND SHOULD NOT BE USED WITHOUT WRITTEN PERMISSION									
DIMENSION UNITS		SCALE		CURRENT REV DESC: ADDED ISOMETRIC VIEWS					
mm		4:1							
GENERAL TOLERANCES (UNLESS SPECIFIED)									
ANGULAR TOL ± 0.5°									
4 PLACES ±				EC NO: 689821					
3 PLACES ±				DRWN: HARSHG		2021/12/13			
2 PLACES ± 0.13				CHK'D: GJEEVANSURES		2021/12/22			
1 PLACE ± 0.25				APPR: HTHYAGARAJ		2022/02/14			
0 PLACES ±				INITIAL REVISION:					
				DRWN: KSUTAR		2021/08/11			
				APPR: HTHYAGARAJ		2021/10/21			
DRAFT WHERE APPLICABLE MUST REMAIN WITHIN DIMENSIONS				THIRD ANGLE PROJECTION		DRAWING		SERIES	
						D-SIZE		46437	
				MATERIAL NUMBER		CUSTOMER		SHEET NUMBER	
				SEE TABLE		GENERAL MARKET		3 OF 3	

molex

G-*P-G
R/A PLUG ASSY - TEN60 POWER FAMILY

PRODUCT CUSTOMER DRAWING

DOCUMENT NUMBER	DOC TYPE	DOC PART	REVISION
464379310	PSD	000	A1