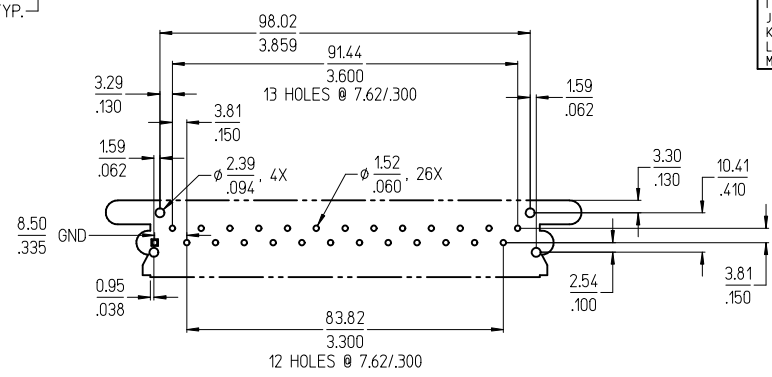


DATE CODE ALLEN-BRADLEY (C)			
EVEN	MONTH	YEARS	
A	JAN	N	A-2012-2013
B	FEB	O	B-2014-2015
C	MAR	P	C-2016-2017
D	APR	R	D-2018-2019
E	MAY	S	E-2020-2021
F	JUN	T	F-2022-2023
G	JUL	U	G-2024-2025
H	AUG	V	H-2026-2027
I	SEP	W	I-2028-2029
J	OCT	X	J-2030-2031
K	NOV	Y	K-2032-2033
L	DEC	Z	L-2034-2035
M			M-2036-2037
			N-2038-2039
			O-2040-2041
			P-2042-2043
			Q-2044-2045
			R-2046-2047
			S-2048-2049
			T-2050-2051
			U-2052-2053
			V-2054-2055
			W-2056-2057
			X-2058-2059
			Y-2060-2061
			Z-2062-2063



- NOTES:
1. MATERIAL: SEE TABLE
  2. FINISHES: SEE TABLE
  3. PIN ORGANIZERS MAY TWIST, WARP, BOW AND/OR OTHERWISE DEFLECT.
  4. TAIL LOCATIONS TOLERANCE IS  $\pm 0.51 \pm 0.20$  W/PIN ORGANIZER INSTALLED.
  5. ASSEMBLY IS ROHS COMPLIANT.

RECOMMENDED PTH PATTERN

ITEM	QTY.	DESCRIPTION	MATERIAL	FINISH
14	2	THREADED NUT INSERT	BRASS	NICKEL
13	13	REAR PIN	HPA COPPER	SELECTIVE GOLD/NICKEL
12	12	FRONT PIN	HPA COPPER	SELECTIVE GOLD/NICKEL
11	1	HEADER HOUSING	NYLON (PA) 66/6	GRAY
10	2	RETAINER CLIP	STEEL	ZN/CLEAR CHROMATE
9	2	JACKING SCREW, M2.5, PAN, PH/SL	STEEL	NICKEL/COPPER
8	1	GROUND PIN	BRASS	TIN
7	25	SCREW&WASHER, WIRING, M3, PAN, PH/SL	STEEL	NICKEL/COPPER
6	25	NUT	STEEL	ZN/YELLOW CHROMATE
5	13	LONG PLUG TERMINAL	BERYLLIUM COPPER	SELECTIVE GOLD/NICKEL
4	12	SHORT PLUG TERMINAL	BERYLLIUM COPPER	SELECTIVE GOLD/NICKEL
3	1	PIN ORGANIZER	POLYESTER	WHITE
2	1	COVER, FRONT ROW	POLYCARBONATE	CLEAR
1	1	PLUG HOUSING	NYLON (PA) 66/6	GRAY

UPDATE DATE CODE TABLE EC NO: IPG2012-0311 DRWN: ENCINAS 2012/01/30 CHKD: APPR: JMACNEIL 2012/03/20	QUALITY SYMBOLS ▽=0 ▽=0	GENERAL TOLERANCES (UNLESS SPECIFIED) <table border="1"> <tr><th colspan="2">mm</th><th colspan="2">INCH</th></tr> <tr><td>4 PLACES</td><td><math>\pm</math> ---</td><td><math>\pm</math> ---</td><td></td></tr> <tr><td>3 PLACES</td><td><math>\pm</math> ---</td><td><math>\pm</math> .005</td><td></td></tr> <tr><td>2 PLACES</td><td><math>\pm</math> 0.13</td><td><math>\pm</math> .01</td><td></td></tr> <tr><td>1 PLACE</td><td><math>\pm</math> 0.3</td><td><math>\pm</math> ---</td><td></td></tr> </table> ANGULAR $\pm 2^\circ$	mm		INCH		4 PLACES	$\pm$ ---	$\pm$ ---		3 PLACES	$\pm$ ---	$\pm$ .005		2 PLACES	$\pm$ 0.13	$\pm$ .01		1 PLACE	$\pm$ 0.3	$\pm$ ---		DIMENSION STYLE <b>MM/IN</b>	SCALE <b>1:1</b>	DESIGN UNITS <b>INCH</b>	THIRD ANGLE PROJECTION
			mm		INCH																					
4 PLACES	$\pm$ ---	$\pm$ ---																								
3 PLACES	$\pm$ ---	$\pm$ .005																								
2 PLACES	$\pm$ 0.13	$\pm$ .01																								
1 PLACE	$\pm$ 0.3	$\pm$ ---																								
DRAWN BY <b>R. KEMP</b>	DATE <b>2003/02/18</b>	CHECKED BY <b>R. STONE</b>	DATE <b>2003/02/18</b>	APPROVED BY <b>P. WALTZ</b>	DATE <b>2003/02/18</b>	TITLE <b>DR BTS PLUG &amp; HEADER W/ PIN ORGANIZER AND GND PIN, 26 ASSY.</b>																				
DRAFT WHERE APPLICABLE MUST REMAIN WITHIN DIMENSIONS		MATERIAL NO. <b>399390009</b>	DOCUMENT NO. <b>SD-39939-001</b>	SHEET NO. <b>1 OF 1</b>		MOLEX INCORPORATED																				
THIS DRAWING CONTAINS INFORMATION THAT IS PROPRIETARY TO MOLEX INCORPORATED AND SHOULD NOT BE USED WITHOUT WRITTEN PERMISSION																										