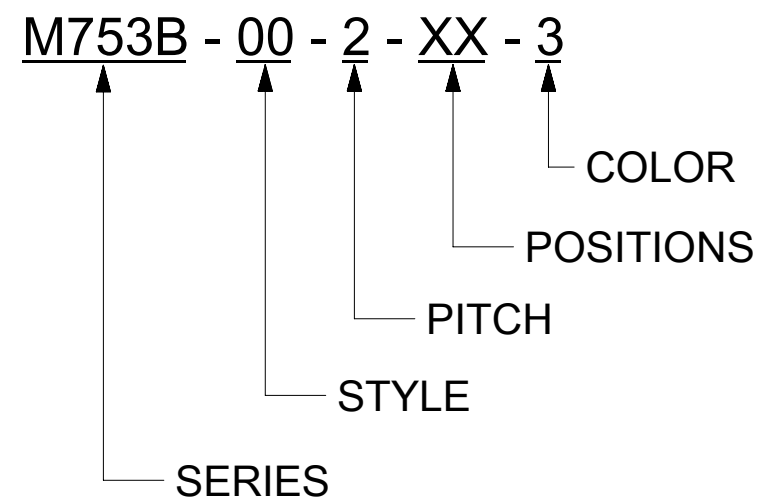


REF. LAST 2 DIGITS OF PART NUMBER EQUALS CIRCUIT COUNT

ENGINEERING NUMBER LEGEND



| TOLERANCES |       |           |       |
|------------|-------|-----------|-------|
| MM         | TOL   | INCH      | TOL   |
| 0-6        | ±0.25 | 0-.24     | ±.010 |
| >6-30      | ±0.40 | .24-1.18  | ±.016 |
| >30-120    | ±0.50 | 1.18-4.76 | ±.020 |
| >120       | ±0.80 | >4.76     | ±.031 |

SPECIFICATIONS:

- MATERIAL:
  - A. BLOCK: STEEL ZINC PLATED
  - B. SCREW: M2.5, STEEL ZINC PLATED
  - C. BODY: PA66 UL94 V-0
  - D. CAM: STAINLESS STEEL
  - E. COVER: PA66 UL94 V-0
  - F. TERMINAL: BRASS TIN PLATED
  - G. MOUNTING SCREW: M2.5, STEEL ZINC PLATED
- WIRE SIZE: 30 TO 12 AWG
- RATING: 15A AT 51-150V, 15A AT 151-300V
- MAX TORQUE: 3.5 IN. LBS. (.4 Nm)
- WIRE STRIP: .37 (9.5mm)
- DIELECTRIC VOLTAGE WITHSTAND: AC 2500V FOR 1 MINUTE
- INSULATION RESISTANCE: DC 500V, 500MΩ
- RATED IMPULSE VOLTAGE: 4000V, PLUS AND MINUS 5 TIMES EACH
- OPERATING TEMPERATURE: -40°C TO +105°C
- DIMS GREATER THAN 1.18 (30mm) HAVE A TOLERANCE OF ±.02 (0.5mm)

| PART NUMBER DATA |             |                    |       |          |       |          |        |          |        |
|------------------|-------------|--------------------|-------|----------|-------|----------|--------|----------|--------|
| CIRCUITS         | PART NUMBER | ENGINEERING NUMBER | COLOR | DIM. "A" |       | DIM. "B" |        | DIM. "C" |        |
|                  |             |                    |       | IN       | mm    | IN       | mm     | IN       | mm     |
| 2                | 397110002   | M753B-00-2-02-3    | GREEN | .79      | 20.0  | .200     | 5.08   | .600     | 15.24  |
| 3                | 397110003   | M753B-00-2-03-3    | GREEN | .99      | 25.0  | .400     | 10.15  | .800     | 20.32  |
| 4                | 397110004   | M753B-00-2-04-3    | GREEN | 1.19     | 30.1  | .600     | 15.23  | 1.000    | 25.40  |
| 5                | 397110005   | M753B-00-2-05-3    | GREEN | 1.39     | 35.2  | .800     | 20.31  | 1.200    | 30.48  |
| 6                | 397110006   | M753B-00-2-06-3    | GREEN | 1.59     | 40.3  | 1.000    | 25.39  | 1.400    | 35.56  |
| 7                | 397110007   | M753B-00-2-07-3    | GREEN | 1.79     | 45.4  | 1.199    | 30.46  | 1.600    | 40.64  |
| 8                | 397110008   | M753B-00-2-08-3    | GREEN | 1.99     | 50.4  | 1.399    | 35.54  | 1.800    | 45.72  |
| 9                | 397110009   | M753B-00-2-09-3    | GREEN | 2.19     | 55.5  | 1.599    | 40.62  | 2.000    | 50.80  |
| 10               | 397110010   | M753B-00-2-10-3    | GREEN | 2.39     | 60.6  | 1.799    | 45.70  | 2.200    | 55.88  |
| 11               | 397110011   | M753B-00-2-11-3    | GREEN | 2.59     | 65.7  | 1.999    | 50.77  | 2.400    | 60.96  |
| 12               | 397110012   | M753B-00-2-12-3    | GREEN | 2.79     | 70.8  | 2.199    | 55.85  | 2.600    | 66.04  |
| 13               |             | M753B-00-2-13-3    | GREEN | 2.99     | 75.8  | 2.399    | 60.93  | 2.800    | 71.12  |
| 14               |             | M753B-00-2-14-3    | GREEN | 3.19     | 80.9  | 2.599    | 66.01  | 3.000    | 76.20  |
| 15               |             | M753B-00-2-15-3    | GREEN | 3.39     | 86.0  | 2.799    | 71.08  | 3.200    | 81.28  |
| 16               | 397110016   | M753B-00-2-16-3    | GREEN | 3.59     | 91.1  | 2.999    | 76.16  | 3.400    | 86.36  |
| 17               |             | M753B-00-2-17-3    | GREEN | 3.79     | 96.2  | 3.198    | 81.24  | 3.600    | 91.44  |
| (B3) 18          | 397110018   | M753B-00-2-18-3    | GREEN | 3.99     | 101.2 | 3.398    | 86.32  | 3.800    | 96.52  |
| (B3) 19          |             | M753B-00-2-19-3    | GREEN | 4.19     | 106.3 | 3.598    | 91.39  | 4.000    | 101.60 |
| (B3) 20          | 397110020   | M753B-00-2-20-3    | GREEN | 4.39     | 111.4 | 3.798    | 96.47  | 4.200    | 106.68 |
| 21               |             | M753B-00-2-21-3    | GREEN | 4.59     | 116.5 | 3.998    | 101.55 | 4.400    | 111.76 |
| 22               |             | M753B-00-2-22-3    | GREEN | 4.79     | 121.6 | 4.198    | 106.63 | 4.600    | 116.84 |
| 23               |             | M753B-00-2-23-3    | GREEN | 4.99     | 126.6 | 4.398    | 111.70 | 4.800    | 121.92 |
| 24               |             | M753B-00-2-24-3    | GREEN | 5.19     | 131.7 | 4.598    | 116.78 | 5.000    | 127.00 |

SEE SHEET-2 FOR OPTIONAL (BLACK) PART NUMBERS

| FUNCTIONAL SYMBOLS                                   | THIS DRAWING CONTAINS INFORMATION THAT IS PROPRIETARY TO MOLEX ELECTRONIC TECHNOLOGIES, LLC AND SHOULD NOT BE USED WITHOUT WRITTEN PERMISSION |  |                     |   |    |            |          |                 |             |   |  |              |             |                         |          |                         |                         |         |                   |             |          |             |             |             |       |       |                         |  |            |  |            |  |   |  |  |  |          |
|--|---|--|---------------------|---|----|------------|----------|-----------------|-------------|---|--|--------------|-------------|-------------------------|----------|-------------------------|-------------------------|---------|-------------------|-------------|----------|-------------|-------------|-------------|-------|-------|-------------------------|--|------------|--|------------|--|---|--|--|--|----------|
|  | $\frac{F}{A} = 0$<br>$\frac{F}{C} = 0$<br>$\frac{F}{P} = 0$   | DIMENSION UNITS<br><b>INCH/MM</b>  | SCALE<br><b>4:1</b> | CURRENT REV DESC: MIGRATED TO ECTR/NX. ADDED NEW PART NUMBERS |    |            |          |                 |             |   |  |              |             |                         |          |                         |                         |         |                   |             |          |             |             |             |       |       |                         |  |            |  |            |  |   |  |  |  |          |
| GENERAL TOLERANCES (UNLESS SPECIFIED)                |   | EC NO: 748183  |                     | 2023/05/02  |    | 2023/05/02 |          | 2023/05/04      |             | TERMINAL PLUG, 5.08MM HORIZONTAL SCREW WITH MOUNTING ENDS<br>PRODUCT CUSTOMER DRAWING |  |              |             |                         |          |                         |                         |         |                   |             |          |             |             |             |       |       |                         |  |            |  |            |  |   |  |  |  |          |
| DIVISIONAL SYMBOLS                                   |   | <table border="1"> <tr><th></th><th>MM</th><th>INCH</th></tr> <tr><td>4 PLACES</td><td>± --- ± ---</td><td>± --- ± ---</td></tr> <tr><td>3 PLACES</td><td>± --- ± ---</td><td>± SEE CHART ± SEE CHART</td></tr> <tr><td>2 PLACES</td><td>± SEE CHART ± SEE CHART</td><td>± SEE CHART ± SEE CHART</td></tr> <tr><td>1 PLACE</td><td>± SEE CHART ± ---</td><td>± --- ± ---</td></tr> <tr><td>0 PLACES</td><td>± --- ± ---</td><td>± --- ± ---</td></tr> <tr><td>ANGULAR TOL</td><td>± ---</td><td>± ---</td></tr> </table> |                     |   | MM | INCH       | 4 PLACES | ± --- ± ---     | ± --- ± --- |   |  | 3 PLACES     | ± --- ± --- | ± SEE CHART ± SEE CHART | 2 PLACES | ± SEE CHART ± SEE CHART | ± SEE CHART ± SEE CHART | 1 PLACE | ± SEE CHART ± --- | ± --- ± --- | 0 PLACES | ± --- ± --- | ± --- ± --- | ANGULAR TOL | ± --- | ± --- | DRWN: RSTONE 2014/03/19 |  | 2014/03/19 |  | 2014/10/16 |  | INITIAL REVISION:<br>DRWN: RSTONE 2014/03/19<br>APPR: JFMURPHY 2014/10/16 |  | DOCUMENT NUMBER<br><b>SD-39711-001</b> |  | DOC TYPE |
|  | MM  | INCH   |                     |   |    |            |          |                 |             |   |  |              |             |                         |          |                         |                         |         |                   |             |          |             |             |             |       |       |                         |  |            |  |            |  |   |  |  |  |          |
| 4 PLACES   | ± --- ± ---   | ± --- ± ---  |                     |   |    |            |          |                 |             |   |  |              |             |                         |          |                         |                         |         |                   |             |          |             |             |             |       |       |                         |  |            |  |            |  |   |  |  |  |          |
| 3 PLACES   | ± --- ± ---   | ± SEE CHART ± SEE CHART  |                     |   |    |            |          |                 |             |   |  |              |             |                         |          |                         |                         |         |                   |             |          |             |             |             |       |       |                         |  |            |  |            |  |   |  |  |  |          |
| 2 PLACES   | ± SEE CHART ± SEE CHART   | ± SEE CHART ± SEE CHART  |                     |   |    |            |          |                 |             |   |  |              |             |                         |          |                         |                         |         |                   |             |          |             |             |             |       |       |                         |  |            |  |            |  |   |  |  |  |          |
| 1 PLACE  | ± SEE CHART ± ---   | ± --- ± ---  |                     |   |    |            |          |                 |             |   |  |              |             |                         |          |                         |                         |         |                   |             |          |             |             |             |       |       |                         |  |            |  |            |  |   |  |  |  |          |
| 0 PLACES   | ± --- ± ---   | ± --- ± ---  |                     |   |    |            |          |                 |             |   |  |              |             |                         |          |                         |                         |         |                   |             |          |             |             |             |       |       |                         |  |            |  |            |  |   |  |  |  |          |
| ANGULAR TOL  | ± ---   | ± ---  |                     |   |    |            |          |                 |             |   |  |              |             |                         |          |                         |                         |         |                   |             |          |             |             |             |       |       |                         |  |            |  |            |  |   |  |  |  |          |
| DRAFT WHERE APPLICABLE MUST REMAIN WITHIN DIMENSIONS |   | THIRD ANGLE PROJECTION   |                     | DRAWING   |    | SERIES     |          | MATERIAL NUMBER |             | CUSTOMER  |  | SHEET NUMBER |             |                         |          |                         |                         |         |                   |             |          |             |             |             |       |       |                         |  |            |  |            |  |   |  |  |  |          |
|  |   |  |                     | C-SIZE  |    | 39711      |          | SEE CHART       |             | GENERAL MARKET  |  | 1 OF 2       |             |                         |          |                         |                         |         |                   |             |          |             |             |             |       |       |                         |  |            |  |            |  |   |  |  |  |          |

REF. LAST 2 DIGITS OF PART NUMBER EQUALS CIRCUIT COUNT

| PART NUMBER DATA |             |                    |       |          |       |          |        |          |        |
|------------------|-------------|--------------------|-------|----------|-------|----------|--------|----------|--------|
| CIRCUITS         | PART NUMBER | ENGINEERING NUMBER | COLOR | DIM. "A" |       | DIM. "B" |        | DIM. "C" |        |
|                  |             |                    |       | IN       | mm    | IN       | mm     | IN       | mm     |
| 2                | 395341002   | M753B-00-2-02-1    | BLACK | .79      | 20.0  | .200     | 5.08   | .600     | 15.24  |
| 3                | 395341003   | M753B-00-2-03-1    | BLACK | .99      | 25.0  | .400     | 10.15  | .800     | 20.32  |
| 4                | 395341004   | M753B-00-2-04-1    | BLACK | 1.19     | 30.1  | .600     | 15.23  | 1.000    | 25.40  |
| 5                | 395341005   | M753B-00-2-05-1    | BLACK | 1.39     | 35.2  | .800     | 20.31  | 1.200    | 30.48  |
| 6                | 395341006   | M753B-00-2-06-1    | BLACK | 1.59     | 40.3  | 1.000    | 25.39  | 1.400    | 35.56  |
| 7                | 395341007   | M753B-00-2-07-1    | BLACK | 1.79     | 45.4  | 1.199    | 30.46  | 1.600    | 40.64  |
| 8                | 395341008   | M753B-00-2-08-1    | BLACK | 1.99     | 50.4  | 1.399    | 35.54  | 1.800    | 45.72  |
| 9                | 395341009   | M753B-00-2-09-1    | BLACK | 2.19     | 55.5  | 1.599    | 40.62  | 2.000    | 50.80  |
| 10               | 395341010   | M753B-00-2-10-1    | BLACK | 2.39     | 60.6  | 1.799    | 45.70  | 2.200    | 55.88  |
| 11               | 395341011   | M753B-00-2-11-1    | BLACK | 2.59     | 65.7  | 1.999    | 50.77  | 2.400    | 60.96  |
| 12               | 395341012   | M753B-00-2-12-1    | BLACK | 2.79     | 70.8  | 2.199    | 55.85  | 2.600    | 66.04  |
| 13               |             | M753B-00-2-13-1    | BLACK | 2.99     | 75.8  | 2.399    | 60.93  | 2.800    | 71.12  |
| 14               |             | M753B-00-2-14-1    | BLACK | 3.19     | 80.9  | 2.599    | 66.01  | 3.000    | 76.20  |
| 15               |             | M753B-00-2-15-1    | BLACK | 3.39     | 86.0  | 2.799    | 71.08  | 3.200    | 81.28  |
| 16               | 395341016   | M753B-00-2-16-1    | BLACK | 3.59     | 91.1  | 2.999    | 76.16  | 3.400    | 86.36  |
| 17               |             | M753B-00-2-17-1    | BLACK | 3.79     | 96.2  | 3.198    | 81.24  | 3.600    | 91.44  |
| 18               |             | M753B-00-2-18-1    | BLACK | 3.99     | 101.2 | 3.398    | 86.32  | 3.800    | 96.52  |
| 19               |             | M753B-00-2-19-1    | BLACK | 4.19     | 106.3 | 3.598    | 91.39  | 4.000    | 101.60 |
| 20               |             | M753B-00-2-20-1    | BLACK | 4.39     | 111.4 | 3.798    | 96.47  | 4.200    | 106.68 |
| 21               | 395341021   | M753B-00-2-21-1    | BLACK | 4.59     | 116.5 | 3.998    | 101.55 | 4.400    | 111.76 |
| 22               |             | M753B-00-2-22-1    | BLACK | 4.79     | 121.6 | 4.198    | 106.63 | 4.600    | 116.84 |
| 23               |             | M753B-00-2-23-1    | BLACK | 4.99     | 126.6 | 4.398    | 111.70 | 4.800    | 121.92 |
| 24               | 395341024   | M753B-00-2-24-1    | BLACK | 5.19     | 131.7 | 4.598    | 116.78 | 5.000    | 127.00 |

CONTACT FACTORY FOR OPTIONAL COLOR

| TOLERANCES |       |           |       |
|------------|-------|-----------|-------|
| MM         | TOL   | INCH      | TOL   |
| 0-6        | ±0.25 | 0-.24     | ±.010 |
| >6-30      | ±0.40 | .24-1.18  | ±.016 |
| >30-120    | ±0.50 | 1.18-4.76 | ±.020 |
| >120       | ±0.80 | >4.76     | ±.031 |

|  |   |                        |   |               |
|--|---|------------------------|---|---------------|
| FUNCTIONAL SYMBOLS<br>FA = 0<br>FC = 0<br>FP = 0 | THIS DRAWING CONTAINS INFORMATION THAT IS PROPRIETARY TO MOLEX ELECTRONIC TECHNOLOGIES, LLC AND SHOULD NOT BE USED WITHOUT WRITTEN PERMISSION |                        | CURRENT REV DESC: MIGRATED TO ECTR/NX. ADDED NEW PART NUMBERS |               |
|  | DIMENSION UNITS<br><b>INCH/MM</b>   | SCALE<br><b>1:1</b>    | EC NO: 748183   |               |
| DIVISIONAL SYMBOLS                               | GENERAL TOLERANCES (UNLESS SPECIFIED)   |                        | DRWN: ABENJAMINLW 2023/05/02                                  |               |
|  | 4 PLACES ± --- ± ---  | MM INCH                | CHK'D: DACHAMMER 2023/05/02                                   |               |
|  | 3 PLACES ± --- ± SEE CHART  |                        | APPR: JFMURPHY 2023/05/04                                     |               |
|  | 2 PLACES ± SEE CHART ± SEE CHART  |                        | INITIAL REVISION:   |               |
|  | 1 PLACE ± SEE CHART ± ---   |                        | DRWN: RSTONE 2014/03/19                                       |               |
|  | 0 PLACES ± --- ± ---  |                        | APPR: JFMURPHY 2014/10/16                                     |               |
|  | ANGULAR TOL ± ---   | THIRD ANGLE PROJECTION | DRAWING   | SERIES        |
|  | DRAFT WHERE APPLICABLE MUST REMAIN WITHIN DIMENSIONS  |                        | <b>C-SIZE</b>   | <b>39711</b>  |
| DOCUMENT STATUS                                  |   | DOCUMENT NUMBER        |   | DOC TYPE      |
| P1   | RELEASE DATE  | <b>SD-39711-001</b>    |   | DOC PART      |
| 2023/05/04                                       | 19:52:41  | PSD                    |   | 001           |
|  |   | GENERAL MARKET         |   | REVISION      |
|  |   | SEE CHART              |   | <b>B3</b>     |
|  |   | CUSTOMER               |   | SHEET NUMBER  |
|  |   | GENERAL MARKET         |   | <b>2 OF 2</b> |

**molex**

TERMINAL PLUG, 5.08MM HORIZONTAL SCREW WITH MOUNTING ENDS

PRODUCT CUSTOMER DRAWING