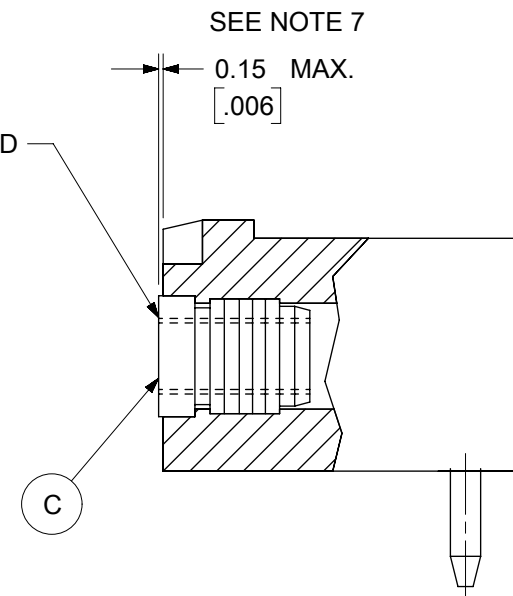
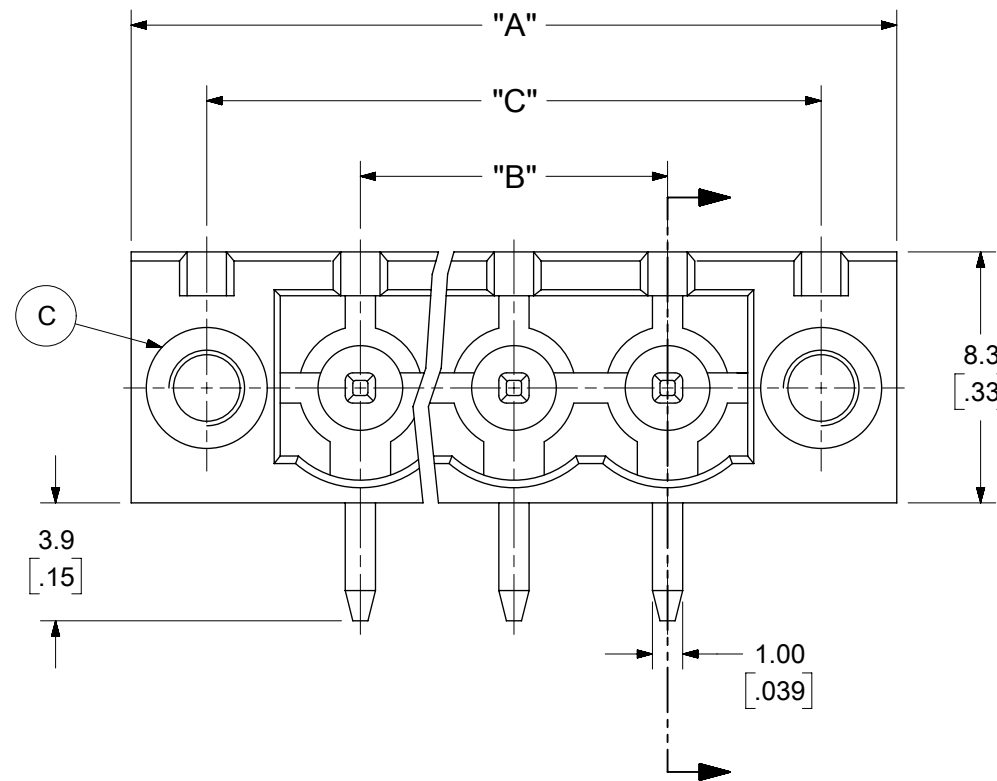
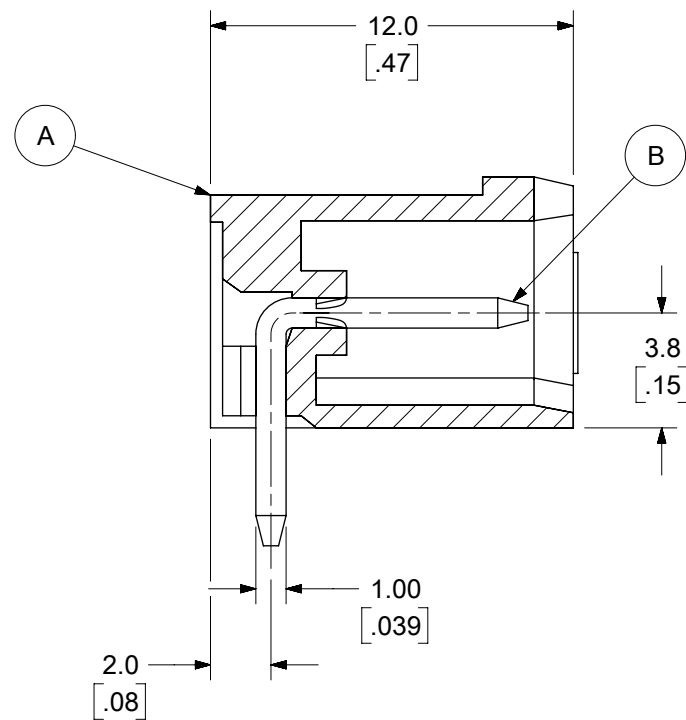


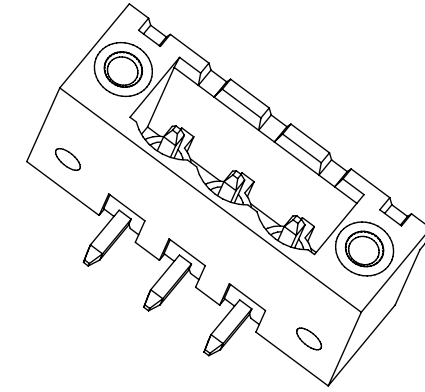
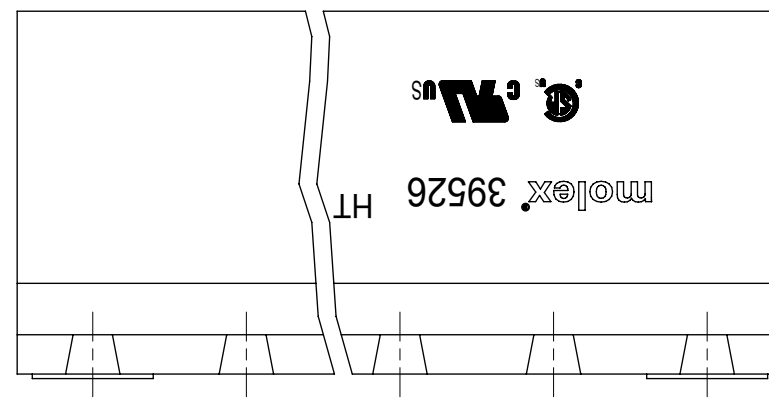
PTH LAYOUT



SEE NOTE 7

SPECIFICATIONS:

1. MATERIAL:
 - (A). BODY: PA46, UL 94V-0
 - (B). PIN: BRASS
 - (C). THREADED INSERT: BRASS
2. ELECTRICAL RATING: 300V, 15A
3. WIRE STRIP LENGTH: N/A
4. OPERATING TEMPERATURE: -40°C to +120°C
5. MAX. INSERT RETENTION FORCE: 11.02 LBF (49.03N)
6. INSULATION RESISTANCE: DC 500V, 500M
7. DIELECTRIC WITHSTAND: AC 2500V FOR 1 MINUTE
8. BREAKDOWN VOLTAGE : 4000V.
9. MAX. SOLDERING TEMP: 260°C (500°F) FOR 5 SECONDS
10. A = (B + 15.0mm)
11. B = (N - 1) x P
12. C = (B + 10mm)
13. P (PITCH) = 5.0MM (.197")
14. N = NUMBER OF POSITIONS AVAILABLE 2 THROUGH 24
15. DIMS SHOWN ARE FOR REFERENCE ONLY


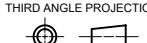


TOLERANCES			
MM	TOL	INCH	TOL
0-6	±0.25	0-.24	±.010
>6-30	±0.40	.24-1.18	±.016
>30-120	±0.50	1.18-4.76	±.020
>120	±0.80	>4.76	±.031

THIS DRAWING CONTAINS INFORMATION THAT IS PROPRIETARY TO MOLEX ELECTRONIC TECHNOLOGIES, LLC AND SHOULD NOT BE USED WITHOUT WRITTEN PERMISSION											
SYMBOLS		DIMENSION UNITS		SCALE		CURRENT REV DESC: DIMS REDRAWN BY NX					
= 0		MM/INCH		4:1							
= 0		GENERAL TOLERANCES (UNLESS SPECIFIED)									
= 0											
= 0		4 PLACES ± --- ± ---				EC NO: 620717					
= 0		3 PLACES ± --- ± SEE CHART				DRWN: ABENJAMINLW 2019/07/11					
= 0		2 PLACES ± SEE CHART ± SEE CHART				CHK'D: DACHAMMER 2019/07/16					
= 0		1 PLACE ± SEE CHART ± ---				APPR: JFMURPHY 2019/08/02					
= 0		0 PLACES ± --- ± ---				INITIAL REVISION:					
= 0		ANGULAR TOL ± ---				DRWN: LROTHAUS 2006/01/09					
= 0		DRAFT WHERE APPLICABLE MUST REMAIN WITHIN DIMENSIONS		THIRD ANGLE PROJECTION		DRAWING		SERIES		DOCUMENT NUMBER	
				B-SIZE		39526		SD-39526-001		PSD 001 D3	
								MATERIAL NUMBER		CUSTOMER	
								SEE SHEET-2		GENERAL MARKET	
										SHEET NUMBER	
										1 OF 2	

DESCRIPTION	CIRCUIT SIZE	MATERIAL NUMBERS						DIMENSIONAL INFORMATION					
		BLACK											
		100% TIN			30 u" GOLD			DIM. "A"		DIM. "B"		DIM. "C"	
		PRINTING OPTIONS			PRINTING OPTIONS			mm	inch	mm	inch	mm	inch
		None	10A	11A	None	10A	11A						
5.0MM, EURO HEADER, RIGHT ANGLE, MOUNTING ENDS, HIGH TEMP	2	395264002	395264102	395264202	395264502	395264602	395264702	20.00	.787	5.00	.197	15.00	.591
5.0MM, EURO HEADER, RIGHT ANGLE, MOUNTING ENDS, HIGH TEMP	3	395264003	395264103	395264203	395264503	395264603	395264703	25.00	.984	10.00	.394	20.00	.787
5.0MM, EURO HEADER, RIGHT ANGLE, MOUNTING ENDS, HIGH TEMP	4	395264004	395264104	395264204	395264504	395264604	395264704	30.00	1.181	15.00	.591	25.00	.984

TOLERANCES			
MM	TOL	INCH	TOL
0-6	±0.25	0-.24	±.010
>6-30	±0.40	.24-1.18	±.016
>30-120	±0.50	1.18-4.76	±.020
>120	±0.80	>4.76	±.031

SYMBOLS	THIS DRAWING CONTAINS INFORMATION THAT IS PROPRIETARY TO MOLEX ELECTRONIC TECHNOLOGIES, LLC AND SHOULD NOT BE USED WITHOUT WRITTEN PERMISSION										
	DIMENSION UNITS	SCALE	CURRENT REV DESC: DIMS REDRAWN BY NX								
▽ = 0	MM/INCH	4:1	EC NO: 620717								
▽ = 0	GENERAL TOLERANCES (UNLESS SPECIFIED)		DRWN: ABENJAMINLW 2019/07/11								
▽ = 0			CHK'D: DACHAMMER 2019/07/16								
▽ = 0			APPR: JFMURPHY 2019/08/02								
▽ = 0			INITIAL REVISION:								
▽ = 0			DRWN: LROTHAUS 2006/01/09								
▽ = 0			APPR: JPAWLICK 2006/01/10								
▽ = 0			DOCUMENT NUMBER		DOC TYPE	DOC PART	REVISION				
▽ = 0			SD-39526-001		PSD	001	D3				
▽ = 0			MATERIAL NUMBER		CUSTOMER		SHEET NUMBER				
▽ = 0			SEE TABLE		GENERAL MARKET		2 OF 2				
▽ = 0			DRAFT WHERE APPLICABLE MUST REMAIN WITHIN DIMENSIONS		THIRD ANGLE PROJECTION	DRAWING	SERIES				
▽ = 0						B-SIZE	39526				