



12.4 GHz N LATCHING TRANSFER SWITCH

OPTIONS: /SELF CUT-OFF / TTL DRIVE

R F CHARACTERISTICS

FREQUENCY RANGE : 0 - 12.4 GHz
 IMPEDANCE : 50 Ohms

| FREQUENCY (GHz) | 0 - 1 | 1 - 2 | 2 - 3 | 3 - 8 | 8 - 12.4 |
|-----------------|---------|---------|---------|---------|----------|
| V.S.W.R <= | 1.15 | 1.20 | 1.25 | 1.35 | 1.50 |
| INSERT. LOSS <= | 0.15 dB | 0.20 dB | 0.25 dB | 0.35 dB | 0.50 dB |
| ISOLATION >= | 85 dB | 80 dB | 75 dB | 70 dB | 60 dB |
| AVER. POWER (*) | 700 W | 500 W | 400 W | 250 W | 200 W |

ELECTRICAL CHARACTERISTICS

ACTUATOR : LATCHING
 NOMINAL CURRENT AT 25° C (±10%) : 320 mA
 ACTUATOR VOLTAGE (Vcc) : 12V (10.2 to 13V)/NEGATIVE COMMON
 TERMINALS : solder pins (250 Deg.C max./30 sec)
 SELF CUT-OFF TIME : 40 ms < CT < 120 ms
 TTL INPUTS (E) - High level : 2.2 to 5.5V / 800µA at 5V
 - Low level : 0 to 0.8V / 20µA at 0.8V

MECHANICAL CHARACTERISTICS

CONNECTORS : N female per MIL C 39012
 LIFE : 2.500.000 cycles
 SWITCHING TIME (nominal voltage;25° C) : < 15 ms
 CONSTRUCTION : splashproof
 WEIGHT : < 215 g

ENVIRONMENTAL CHARACTERISTICS

OPERATING TEMPERATURE RANGE (°C) : -40 , +85
 STORAGE TEMPERATURE RANGE (°C) : -55 , +85

(* : average power at 25° C)

This information is given as an indication. In the continual goal to improve our products, we reserve the right to make any modifications judged necessary

4112-9212

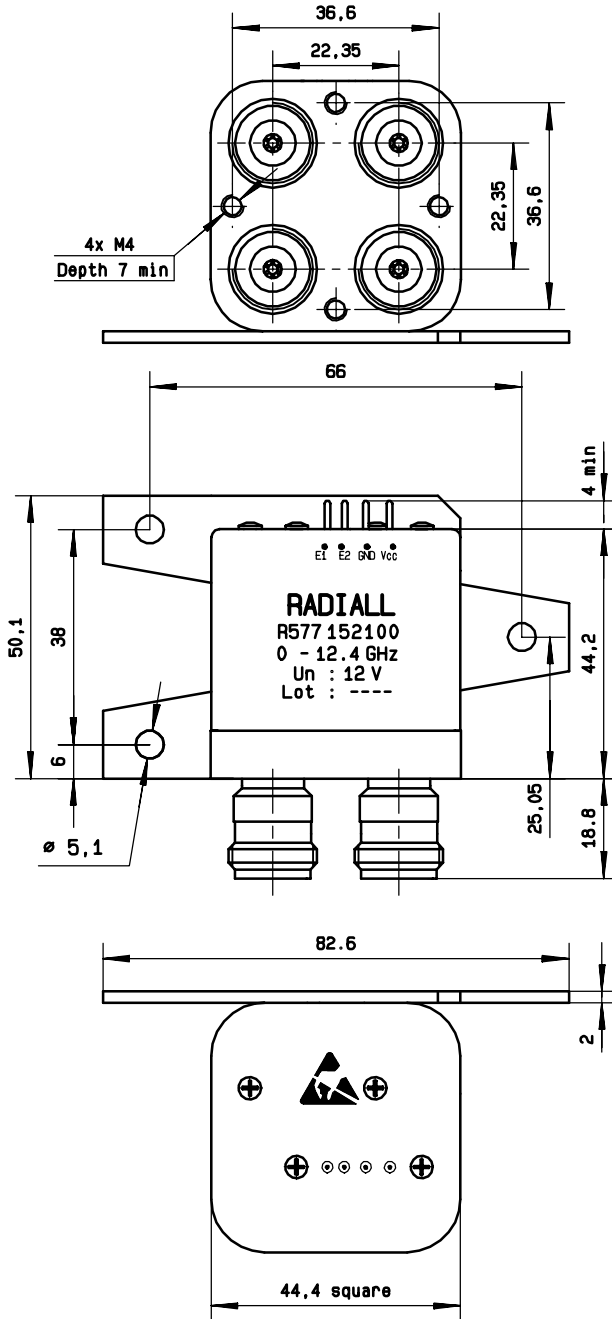
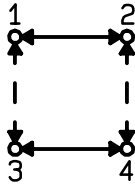
4113-9212 This information is given as an indication. In the continual goal to improve our products, we reserve the right to make any modifications judged necessary

General tolerance: ± 0,5 mm

R577_152.100

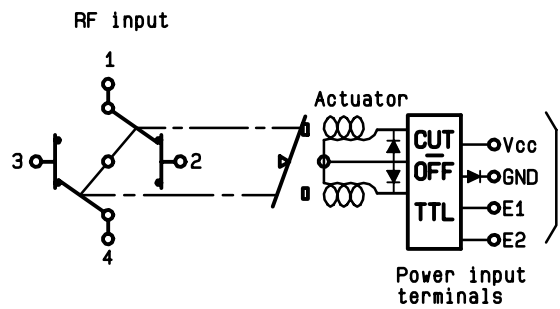
Page
2/2

DRAWING



SCHEMATIC DIAGRAM

| TTL input | RF continuity |
|-------------|----------------|
| E1=1 E2=0 | 1 ↔ 3 2 ↔ 4 |
| E1=0 E2=1 | 1 ↔ 2 3 ↔ 4 |
| E1=0 E2=0 | Memory |
| E1=1 E2=1 | Forbidden |



ISSUE 22. jan.08