

# MT2

## 2 WATT DC/DC CONVERTER, SINGLE & MULTIPLE OUTPUTS



### ELECTRICAL SPECIFICATIONS

All specifications are typical at nominal input, full load

### INPUT SPECIFICATIONS

Input Voltage.....  $\pm 5\%$   
Input Filter..... PI-Network

### OUTPUT SPECIFICATIONS

Output Voltage Accuracy.....  $\pm 5\%$   
Efficiency..... 60% typ.  
Over-Current Protection..... Built-in (Automatic Recovery)  
Ripple ..... 120 mVp-p (DC to 100MHZ)  
Line Regulation.....  $\pm 0.5\%$   
Line Filter..... Built-in  
Load Regulation.....  $\pm 1.0\%$  max. (Load Rate 0% ~ 100%)  
Spike Noise (DC to 100 MHZ)..... Input 150 mVp-p max.  
Output 70 mVp-p max.

## FEATURES

- ▶ FULL SMD DESIGN WITH CERAMIC CAPACITORS
- ▶ 5 SIDED METAL CASE
- ▶ EXTREMELY RELIABLE
- ▶ INTERNAL EMI FILTER
- ▶ LOW OUTPUT RIPPLE AND NOISE
- ▶ SHORT CIRCUIT PROTECTION
- ▶ DIRECT PCB-SOLDERING
- ▶ INDUSTRY STANDARD PINOUT (IC-24P)
- ▶ LOW PROFILE, 10mm (0.39") HEIGHT
- ▶ FIVE YEAR WARRANTY

### GENERAL SPECIFICATIONS

Isolation Voltage  
Primary to Secondary..... DC 500V/ 1min. 5mA  
Primary to Case..... DC 500V/ 1min. 5mA  
Secondary to Case..... DC 500V/ 1min. 5mA  
MTBF..... >1,000,000 hours  
Isolation Resistance..... INPUT-OUTPUT-CASE 50M-ohms min.  
(Measured at 500 VDC)

### ENVIRONMENTAL SPECIFICATIONS

Operating Temperature ..... -25 ~ +75°C  
Temperature Coefficient.....  $\pm 0.05\%/^{\circ}\text{C}$   
Humidity..... 30%~95% RH  
Storage Temperature..... -25°C ~ +85°C

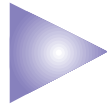
### EMI

Complies with: CISPR CLASS A

### PHYSICAL SPECIFICATIONS

Case Material..... Nickel-Plated Steel  
Dual In-Line Pin Configuration

# Series



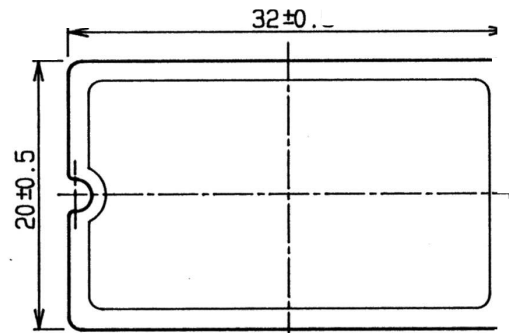
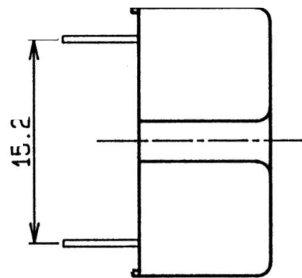
MODEL	INPUT VOLTAGE	OUTPUT VOLTAGE	OUTPUT CURRENT
MT2-0505SI	5 VDC (4.5 ~ 5.5V)	5 VDC	400mA
MT2-0512SI		12 VDC	160mA
MT2-0515SI		15 VDC	130mA
MT2-0512WI		-12 VDC	-80mA
MT2-0515WI		-15 VDC	-65mA
MT2-1205SI	12 VDC (9 ~ 18V)	5 VDC	400mA
MT2-1212SI		12 VDC	160mA
MT2-1212WI		-12 VDC	-80mA
MT2-1215WI		-15 VDC	-65mA
MT2-2405SI	24 VDC (18 ~ 36V)	5 VDC	400mA
MT2-2412SI		12 VDC	160mA
MT2-2412WI		-12 VDC	-80mA
MT2-2415WI		-15 VDC	-65mA

## TYPE A: SINGLE OUTPUT

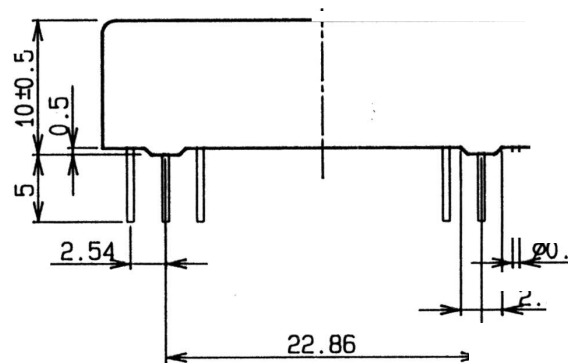
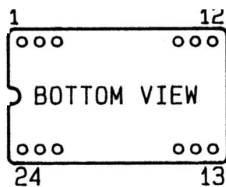
1, 24	INPUT + V
12, 13	INPUT - V
11, 14	OUTPUT + V
10, 15	OUTPUT - V
2, 23	NC
3, 22	NC

## TYPE A: DUAL OUTPUT

1, 24	INPUT + V
12, 13	INPUT - V
11, 14	OUTPUT1 + V
10, 15	OUTPUT1 - V
2, 23	OUTPUT2 + V
3, 22	OUTPUT2 - V



## PIN LOCATION



## NOTE:

All specifications typical and nominal / full load and 25°C unless otherwise noted.  
 Avoid sustained operation in overload or dead short conditions.  
 Specifications subject to changes without notice.

• Dimensions in mm

