

# CGA8R2NP01H224J320KA

TDK Item Description : CGA8R2NP01H224JT\*\*\*



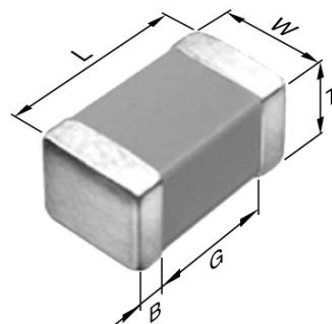
Equivalent C4532NP01H224J for Automotive

## Application & Main Feature

Automotive Grade ( High Temperature Application )

## Series

CGA8(4532) [EIA CC1812]



## Dimensions

L 4.50mm +/-0.4mm  
 W 3.20mm +/-0.4mm  
 T 3.20mm +/-0.3mm  
 B 0.20mm Min.  
 G

## Temperature Characteristic

NP0 (-55 to 150 degC 0+/-30ppm/degC)

## Rated Voltage

1H (50Vdc)

## Capacitance

220nF

## Capacitance Tolerance

J (+/-5%)

## Q Factor

1000 Min.

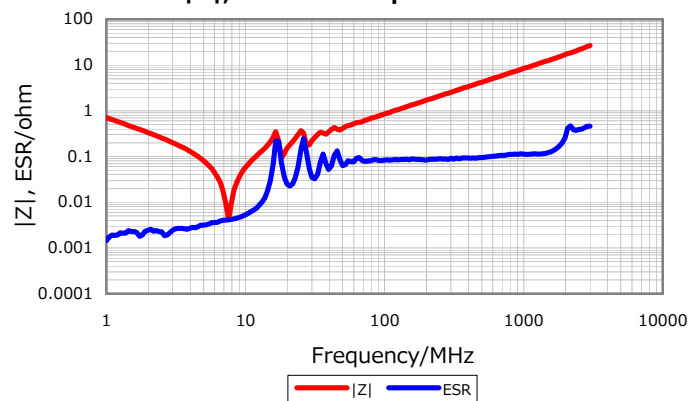
## Insulation Resistance

2.27Gohm Min.

## AEC-Q200

Yes

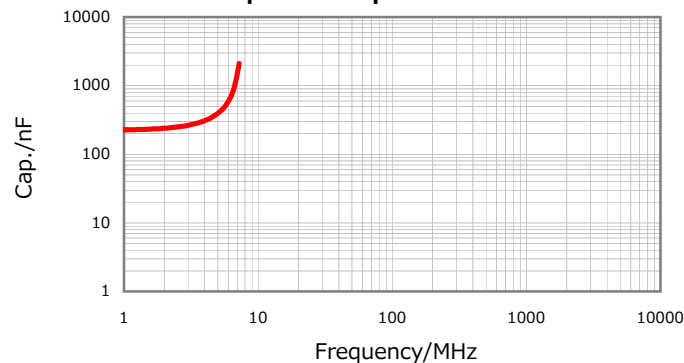
**|Z|, ESR vs. Freq. Characteristics**



**DC Bias Characteristic**



**Cap. vs. Freq. Characteristic**



**Temperature Characteristics**



Characterization Sheet ( Multilayer Ceramic Chip Capacitors )



All specifications are subject to change without notice.

January 4, 2016