



# FocusLCDs.com

LCDs MADE SIMPLE®

Ph. 480-503-4295 | [NOPP@FocusLCD.com](mailto:NOPP@FocusLCD.com)

TFT | CHARACTER | UWVD | FSC | SEGMENT | CUSTOM | REPLACEMENT

## Character Display Module

### Part Number

C162EXBSYSY6WT

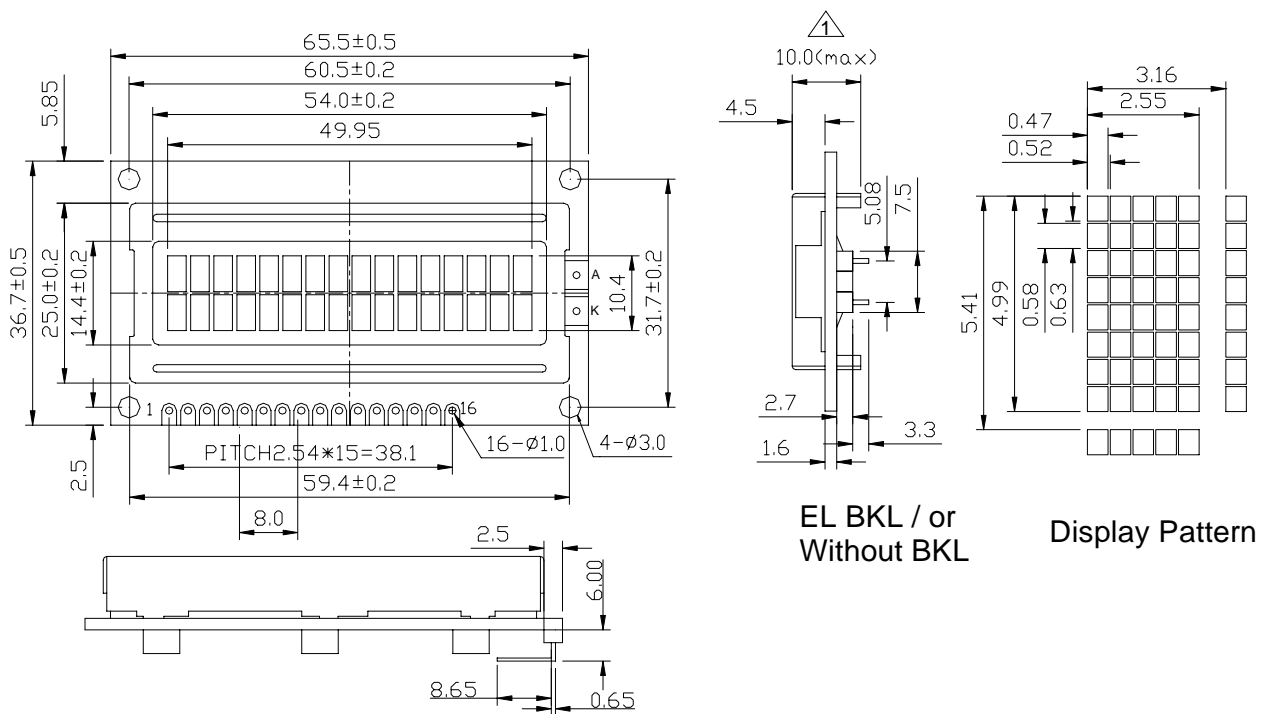
### Overview

Character: 16x2, STN, Yellow background color, Edge LED, Yellow/Green backlight, Bottom view angle, Wide temp, Transflective (positive), VLed=3V, Vdd=3V, IC=Sitronix

## 1.Features

1. 5x8 dots
2. Built-in controller (ST7066U or Equivalent)
3. +3V power supply
4. 1/16 duty cycle
5. STN, Gray, Transflective, positive
6. EL(Blue-Green color) BKL to be driven by pin15, pin16

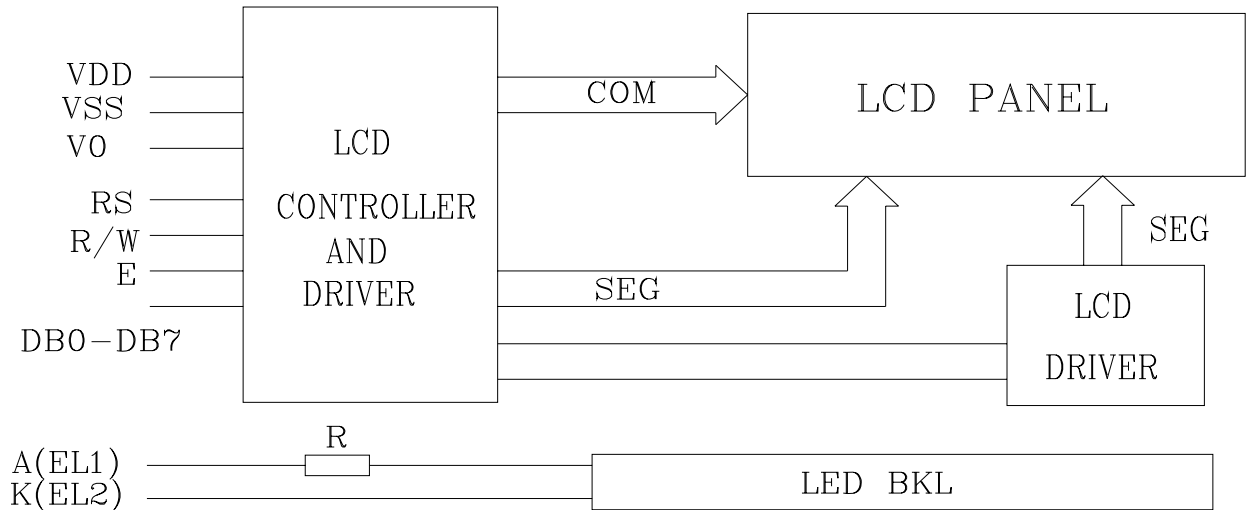
## 2.Outline dimension



## 3.Absolute maximum ratings

| Item                        | Symbol            | Standard |   |          | Unit |
|-----------------------------|-------------------|----------|---|----------|------|
| Power voltage               | $V_{DD} - V_{SS}$ | 0        | - | 7.0      | V    |
| Input voltage               | $V_{IN}$          | $V_{SS}$ | - | $V_{DD}$ |      |
| Operating temperature range | Top               | 0        | - | +50      | °C   |
| Storage temperature range   | Tst               | -20      | - | +60      |      |

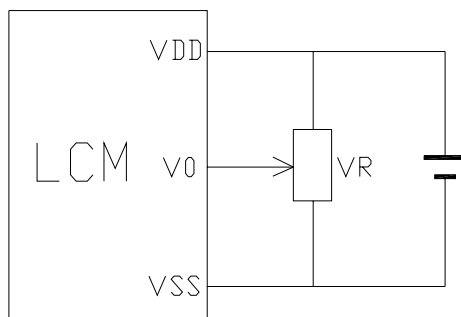
## 4. Block diagram



## 5. Interface pin description

| Pin no. | Symbol          | External connection | Function  |
|---------|-----------------|---------------------|---|
| 1       | V <sub>SS</sub> | Power supply        | Signal ground for LCM (GND)   |
| 2       | V <sub>DD</sub> |                     | Power supply for logic (+3V) for LCM  |
| 3       | V <sub>0</sub>  |                     | Contrast adjust   |
| 4       | RS              | MPU                 | Register select signal  |
| 5       | R/W             | MPU                 | Read/write select signal  |
| 6       | E               | MPU                 | Operation (data read/write) enable signal   |
| 7~10    | DB0~DB3         | MPU                 | Four low order bi-directional three-state data bus lines. Used for data transfer between the MPU and the LCM. These four are not used during 4-bit operation. |
| 11~14   | DB4~DB7         | MPU                 | Four high order bi-directional three-state data bus lines. Used for data transfer between the MPU   |
| 15      | A (EL1)         | EL BKL power supply | AC Power supply for EL  |
| 16      | K (EL2)         |                     | AC Power supply for EL  |

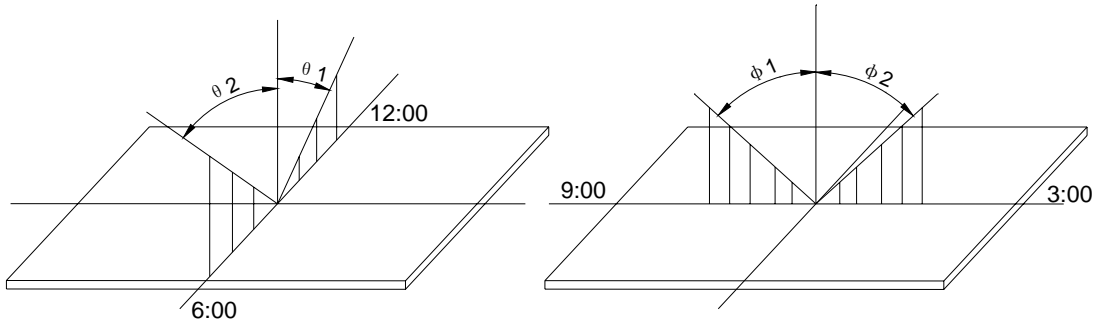
## 6. Contrast adjust



V<sub>DD</sub>-V<sub>0</sub>: LCD Driving voltage

VR: 10k~20k

## 7. Optical characteristics



STN type display module ( $T_a=25^\circ\text{C}$ ,  $V_{DD}=3.0\text{V}$ )

| Item                 | Symbol     | Condition    | Min. | Typ. | Max. | Unit |
|----------------------|------------|--------------|------|------|------|------|
| Viewing angle        | $\theta 1$ | $C_r \geq 3$ |      | 20   |      | deg  |
|                      | $\theta 2$ |              |      | 40   |      |      |
|                      | $\Phi 1$   |              |      | 35   |      |      |
|                      | $\Phi 2$   |              |      | 35   |      |      |
| Contrast ratio       | $C_r$      |              | -    | 6    | -    | -    |
| Response time (rise) | $T_r$      | -            | -    | 200  | 250  | ms   |
| Response time (fall) | $T_r$      | -            | -    | 300  | 350  |      |

## 8. Electrical characteristics

EL Driving

| Item            | Symbol | Min | Typ. | Max | Unit     |
|-----------------|--------|-----|------|-----|----------|
| Driving Voltage | V      | -   | 110  | -   | $\nabla$ |
| Drive Frequency | F      | -   | 400  | -   | Hz       |

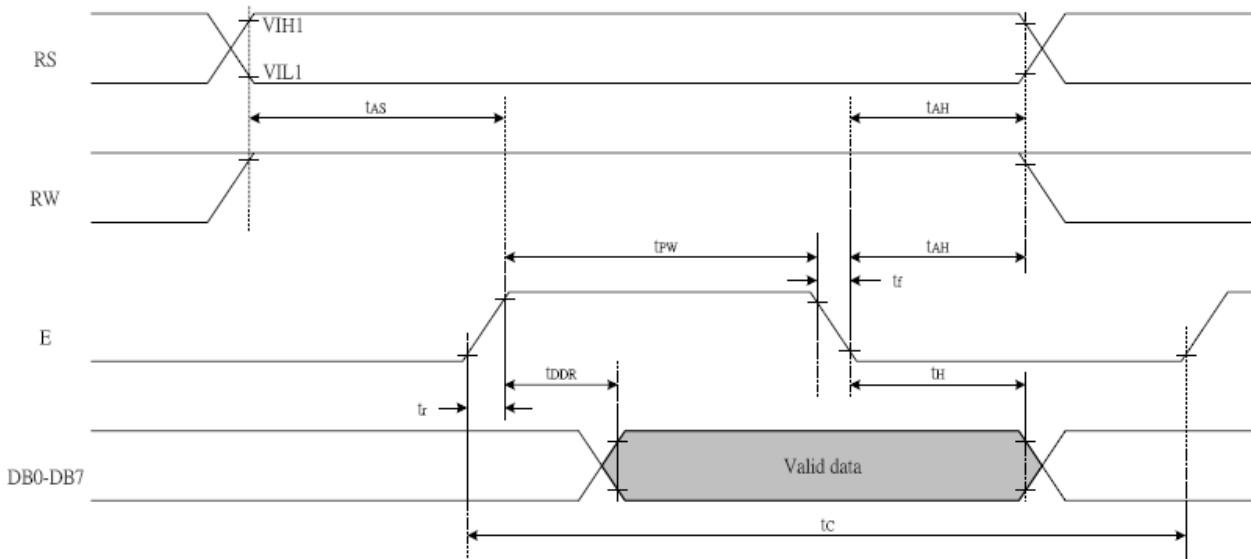
DC characteristics

| Parameter                | Symbol       | Conditions                                    | Min. | Typ. | Max.     | Unit          |
|--------------------------|--------------|---|------|------|----------|---------------|
| Supply voltage for LCD   | $V_{DD}-V_0$ | $T_a=25^\circ\text{C}$                        | -    | 3.0  | -        | V             |
| Input voltage            | $V_{DD}$     |   | 2.7  | 3.0  | 3.5      |               |
| Supply current           | $I_{DD}$     | $T_a=25^\circ\text{C}$ , $V_{DD}=3.0\text{V}$ | -    | 1.5  | 2.5      | mA            |
| Input leakage current    | $I_{LKG}$    |   | -    | -    | 1.0      | $\mu\text{A}$ |
| “H” level input voltage  | $V_{IH}$     |   | 2.2  | -    | $V_{DD}$ | V             |
| “L” level input voltage  | $V_{IL}$     | Twice initial value or less                   | 0    | -    | 0.6      |               |
| “H” level output voltage | $V_{OH}$     | LOH=-0.25mA                                   | 2.4  | -    | -        |               |
| “L” level output voltage | $V_{OL}$     | LOH=1.6mA                                     | -    | -    | 0.4      |               |

Read cycle ( $T_a=25^\circ\text{C}$ ,  $V_{DD}=3.0\text{V}$ )

| Parameter             | Symbol     | Test pin  | Min. | Typ. | Max. | Unit |
|-----------------------|------------|-----------|------|------|------|------|
| Enable cycle time     | $t_c$      | E         | 1200 | -    | -    | ns   |
| Enable pulse width    | $t_{pw}$   |           | 480  | -    | -    |      |
| Enable rise/fall time | $t_r, t_f$ |           | -    | -    | 25   |      |
| Address setup time    | $t_{as}$   | RS; R/W,E | 0    | -    | -    |      |
| Address hold time     | $t_{ah}$   |           | 10   | -    | -    |      |
| Data setup delay      | $t_{ddr}$  | DB0~DB7   | -    | -    | 320  |      |
| Data hold time        | $t_h$      |           | 10   | -    | -    |      |

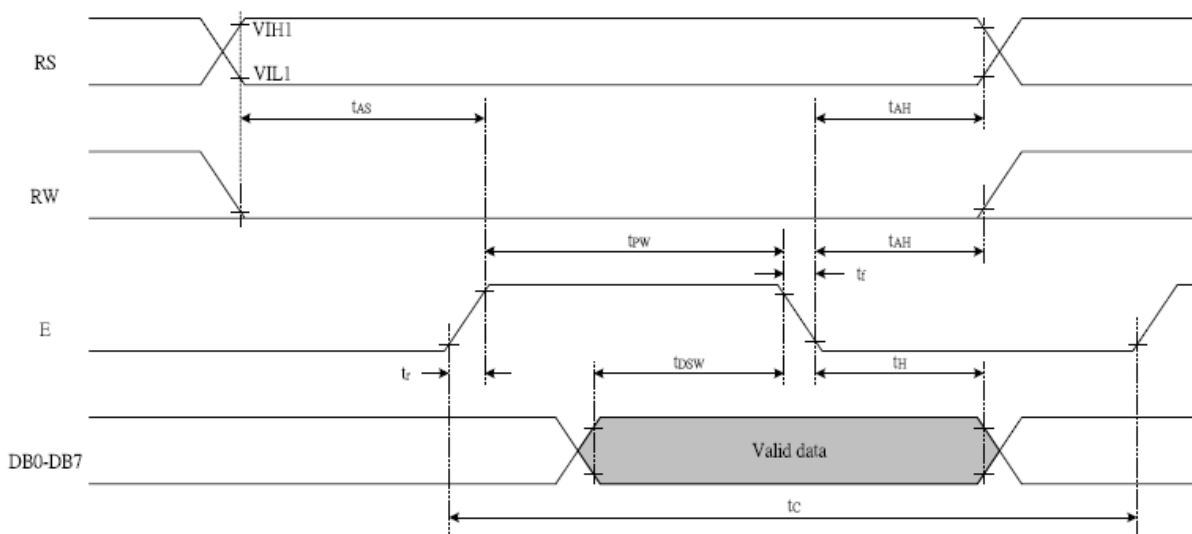
## Read mode timing diagram



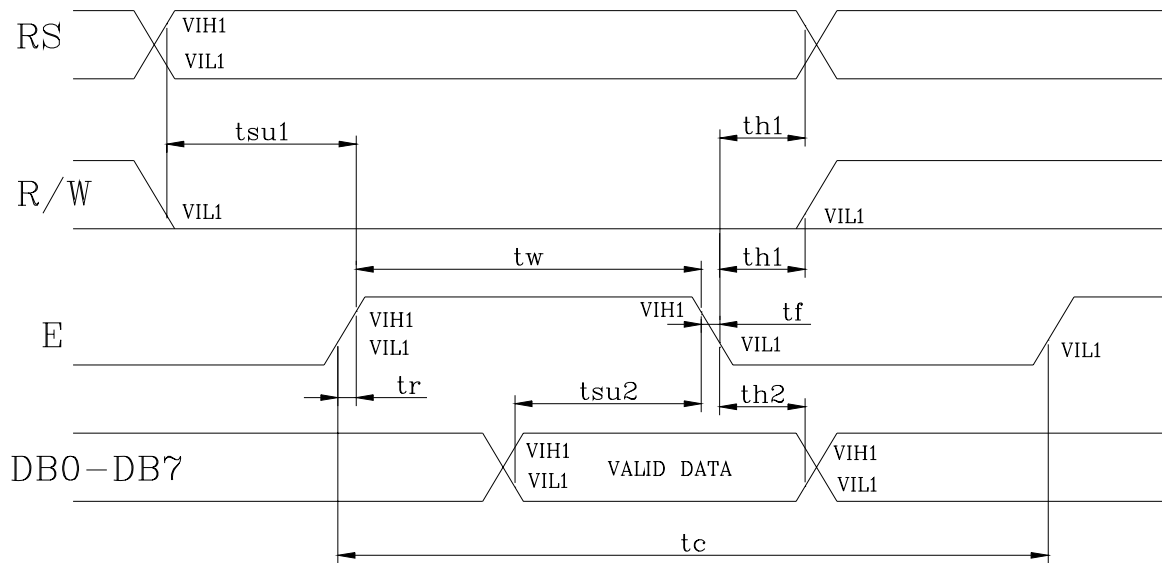
## Write cycle (Ta=25°C, VDD=3.0V)

| Parameter             | Symbol     | Test pin  | Min. | Typ. | Max. | Unit |
|-----------------------|------------|-----------|------|------|------|------|
| Enable cycle time     | $t_c$      | E         | 1200 | -    | -    | ns   |
| Enable pulse width    | $t_{pw}$   |           | 460  | -    | -    |      |
| Enable rise/fall time | $t_r, t_f$ |           | -    | -    | 25   |      |
| Address setup time    | $t_{as}$   | RS; R/W,E | 0    | -    | -    |      |
| Address hold time     | $t_{ah}$   | RS; R/W,E | 10   | -    | -    |      |
| Data setup delay      | $t_{dsw}$  | DB0~DB7   | 80   | -    | -    |      |
| Data hold time        | $t_h$      |           | 10   | -    | -    |      |

## Write mode timing diagram



## Write mode timing diagram



## 9. Instruction description

### Outline

To overcome the speed difference between the internal clock of ST7066U and the MPU clock, ST7066U performs internal operations by storing control information to IR or DR. The internal operation is determined according to the signal from MPU, composed of read/write and data bus (Refer to Table7).

Instructions can be divided largely into four groups:

- 1) ST7066U function set instructions (set display methods, set data length, etc.)
- 2) Address set instructions to internal RAM
- 3) Data transfer instructions with internal RAM
- 4) Others

The address of the internal RAM is automatically increased or decreased by 1.

Note: during internal operation, busy flag (DB7) is read "High".

Busy flag check must be preceded by the next instruction.

## 10. Instruction Table

| Instruction                | Instruction code |     |     |     |     |     |     |     |     |     | Description | Execution time (fosc= 270 KHZ)   |        |
|----------------------------|------------------|-----|-----|-----|-----|-----|-----|-----|-----|-----|-------------|--|--------|
|                            | RS               | R/W | DB7 | DB6 | DB5 | DB4 | DB3 | DB2 | DB1 | DB0 |             |  |        |
| Clear Display              | 0                | 0   | 0   | 0   | 0   | 0   | 0   | 0   | 0   | 0   | 1           | Write "20H" to DDRA and set DDRAM address to "00H" from AC   | 1.53ms |
| Return Home                | 0                | 0   | 0   | 0   | 0   | 0   | 0   | 0   | 0   | 1   | -           | Set DDRAM address to "00H" From AC and return cursor to Its original position if shifted. The contents of DDRAM are not changed. | 1.53ms |
| Entry mode Set             | 0                | 0   | 0   | 0   | 0   | 0   | 0   | 0   | 1   | I/D | SH          | Assign cursor moving direction And blinking of entire display  | 39us   |
| Display ON/OFF control     | 0                | 0   | 0   | 0   | 0   | 0   | 0   | 1   | D   | C   | B           | Set display (D), cursor (C), and Blinking of cursor (B) on/off Control bit.  |        |
| Cursor or Display shift    | 0                | 0   | 0   | 0   | 0   | 0   | 1   | S/C | R/L | -   | -           | Set cursor moving and display Shift control bit, and the Direction, without changing of DDRAM data.                              | 39us   |
| Function set               | 0                | 0   | 0   | 0   | 0   | 1   | DL  | N   | F   | -   | -           | Set interface data length (DL: 8-Bit/4-bit), numbers of display Line (N: =2-line/1-line) and, Display font type (F: 5x11/5x8)    | 39us   |
| Set CGRAM Address          | 0                | 0   | 0   | 1   | AC5 | AC4 | AC3 | AC2 | AC1 | AC0 |             | Set CGRAM address in address Counter.  | 39us   |
| Set DDRAM Address          | 0                | 0   | 1   | AC6 | AC5 | AC4 | AC3 | AC2 | AC1 | AC0 |             | Set DDRAM address in address Counter.  | 39us   |
| Read busy Flag and Address | 0                | 1   | BF  | AC6 | AC5 | AC4 | AC3 | AC2 | AC1 | AC0 |             | Whether during internal Operation or not can be known By reading BF. The contents of Address counter can also be read.           | 0us    |
| Write data to Address      | 1                | 0   | D7  | D6  | D5  | D4  | D3  | D2  | D1  | D0  |             | Write data into internal RAM (DDRAM/CGRAM).  | 43us   |
| Read data From RAM         | 1                | 1   | D7  | D6  | D5  | D4  | D3  | D2  | D1  | D0  |             | Read data from internal RAM (DDRAM/CGRAM).   | 43us   |

### NOTE:

When an MPU program with checking the busy flag (DB7) is made, it must be necessary  $1/2f_{osc}$  is necessary for executing the next instruction by the falling edge of the "E" signal after the busy flag (DB7) goes to "Low".

### Contents

#### 1) Clear display

| RS | R/W | DB7 | DB6 | DB5 | DB4 | DB3 | DB2 | DB1 | DB0 |
|----|-----|-----|-----|-----|-----|-----|-----|-----|-----|
| 0  | 0   | 0   | 0   | 0   | 0   | 0   | 0   | 0   | 1   |

Clear all the display data by writing "20H" (space code) to all DDRAM address, and set DDRAM address to "00H" into AC (address counter).

Return cursor to the original status, namely, bring the cursor to the left edge on the first line of the display.

Make the entry mode increment (I/D=“High”).

## 2) Return home

| RS | R/W | DB7 | DB6 | DB5 | DB4 | DB3 | DB2 | DB1 | DB0 |
|----|-----|-----|-----|-----|-----|-----|-----|-----|-----|
| 0  | 0   | 0   | 0   | 0   | 0   | 0   | 0   | 1   | -   |

Return home is cursor return home instruction.

Set DDRAM address to “00H” into the address counter.

Return cursor to its original site and return display to its original status, if shifted.

Contents of DDRAM does not change.

## 3) Entry mode set

| RS | R/W | DB7 | DB6 | DB5 | DB4 | DB3 | DB2 | DB1 | DB0 |
|----|-----|-----|-----|-----|-----|-----|-----|-----|-----|
| 0  | 0   | 0   | 0   | 0   | 0   | 0   | 1   | I/D | SH  |

Set the moving direction of cursor and display.

### I/D: increment / decrement of DDRAM address (cursor or blink)

When I/D=“high”, cursor/blink moves to right and DDRAM address is increased by 1.

When I/D=“Low”, cursor/blink moves to left and DDRAM address is increased by 1.

\*CGRAM operates the same way as DDRAM, when reading from or writing to CGRAM.

### SH: shift of entire display

When DDRAM read (CGRAM read/write) operation or SH=“Low”, shifting of entire display is not performed. If SH =“High” and DDRAM write operation, shift of entire display is performed according to I/D value. (I/D=“high”. shift left, I/D=“Low”. Shift right).

## 4) Display ON/OFF control

| RS | R/W | DB7 | DB6 | DB5 | DB4 | DB3 | DB2 | DB1 | DB0 |
|----|-----|-----|-----|-----|-----|-----|-----|-----|-----|
| 0  | 0   | 0   | 0   | 0   | 0   | 1   | D   | C   | B   |

Control display/cursor/blink ON/OFF 1 bit register.

### D: Display ON/OFF control bit

When D=“High”, entire display is turned on.

When D=“Low”, display is turned off, but display data remains in DDRAM.

### C: cursor ON/OFF control bit

When D=“High”, cursor is turned on.

When D=“Low”, cursor is disappeared in current display, but I/D register preserves its data.

### B: Cursor blink ON/OFF control bit

When B=“High”, cursor blink is on, which performs alternately between all the “High” data and display characters at the cursor position.

When B=“Low”, blink is off.



### 5) Cursor or display shift

|    |     |     |     |     |     |     |     |     |     |
|----|-----|-----|-----|-----|-----|-----|-----|-----|-----|
| RS | R/W | DB7 | DB6 | DB5 | DB4 | DB3 | DB2 | DB1 | DB0 |
| 0  | 0   | 0   | 0   | 0   | 1   | S/C | R/L | -   | -   |

Shifting of right/left cursor position or display without writing or reading of display data.

This instruction is used to correct or search display data.

During 2-line mode display, cursor moves to the 2nd line after the 40th digit of the 1st line.

Note that display shift is performed simultaneously in all the lines.

When display data is shifted repeatedly, each line is shifted individually.

When display shift is performed, the contents of the address counter are not changed.

#### Shift patterns according to S/C and R/L bits

| S/C | R/L | Operation   |
|-----|-----|---|
| 0   | 0   | Shift cursor to the left, AC is decreased by 1                            |
| 0   | 1   | Shift cursor to the right, AC is increased by 1                           |
| 1   | 0   | Shift all the display to the left, cursor moves according to the display  |
| 1   | 1   | Shift all the display to the right, cursor moves according to the display |

### 6) Function set

|    |     |     |     |     |     |     |     |     |     |
|----|-----|-----|-----|-----|-----|-----|-----|-----|-----|
| RS | R/W | DB7 | DB6 | DB5 | DB4 | DB3 | DB2 | DB1 | DB0 |
| 0  | 0   | 0   | 0   | 1   | DL  | N   | F   | -   | -   |

#### DL: Interface data length control bit

When DL="High", it means 8-bit bus mode with MPU.

When DL="Low", it means 4-bit bus mode with MPU. Hence, DL is a signal to select 8-bit or 4-bit bus mode.

When 4-bit bus mode, it needs to transfer 4-bit data twice.

#### N: Display line number control bit

When N="Low", 1-line display mode is set.

When N="High", 2-line display mode is set.

#### F: Display line number control bit

When F="Low", 5x8 dots format display mode is set.

When F="High", 5x11 dots format display mode.

### 7) Set CGRAM address

|    |     |     |     |     |     |     |     |     |     |
|----|-----|-----|-----|-----|-----|-----|-----|-----|-----|
| RS | R/W | DB7 | DB6 | DB5 | DB4 | DB3 | DB2 | DB1 | DB0 |
| 0  | 0   | 0   | 1   | AC5 | AC4 | AC3 | AC2 | AC1 | AC0 |

Set CGRAM address to AC.

The instruction makes CGRAM data available from MPU.

### 8) Set DDRAM address

|    |     |     |     |     |     |     |     |     |     |
|----|-----|-----|-----|-----|-----|-----|-----|-----|-----|
| RS | R/W | DB7 | DB6 | DB5 | DB4 | DB3 | DB2 | DB1 | DB0 |
| 0  | 0   | 1   | AC6 | AC5 | AC4 | AC3 | AC2 | AC1 | AC0 |

Set DDRAM address to AC.

This instruction makes DDRAM data available form MPU.

When 1-line display mode (N=LOW), DDRAM address is form “00H” to “4FH”.In 2-line display mode (N=High), DDRAM address in the 1st line form “00H” to “27H”, and DDRAM address in the 2nd line is from “40H” to “67H”.

### 9) Read busy flag & address

| RS | R/W | DB7 | DB6 | DB5 | DB4 | DB3 | DB2 | DB1 | DB0 |
|----|-----|-----|-----|-----|-----|-----|-----|-----|-----|
| 0  | 1   | BF  | AC6 | AC5 | AC4 | AC3 | AC2 | AC1 | AC0 |

This instruction shows whether ST7066U is in internal operation or not.

If the resultant BF is “High”, internal operation is in progress and should wait BF is to be LOW, which by then the nest instruction can be performed. In this instruction you can also read the value of the address counter.

### 10) Write data to RAM

| RS | R/W | DB7 | DB6 | DB5 | DB4 | DB3 | DB2 | DB1 | DB0 |
|----|-----|-----|-----|-----|-----|-----|-----|-----|-----|
| 1  | 0   | D7  | D6  | D5  | D4  | D3  | D2  | D1  | D0  |

Write binary 8-bit data to DDRAM/CGRAM.

The selection of RAM from DDRAM, and CGRAM, is set by the previous address set instruction (DDRAM address set, CGRAM address set).

RAM set instruction can also determine the AC direction to RAM.

After write operation. The address is automatically increased/decreased by 1, according to the entry mode.

### 11) Read data from RAM

| RS | R/W | DB7 | DB6 | DB5 | DB4 | DB3 | DB2 | DB1 | DB0 |
|----|-----|-----|-----|-----|-----|-----|-----|-----|-----|
| 1  | 1   | D7  | D6  | D5  | D4  | D3  | D2  | D1  | D0  |

Read binary 8-bit data from DDRAM/CGRAM.

The selection of RAM is set by the previous address set instruction. If the address set instruction of RAM is not performed before this instruction, the data that has been read first is invalid, as the direction of AC is not yet determined. If RAM data is read several times without RAM address instructions set before, read operation, the correct RAM data can be obtained from the second. But the first data would be incorrect, as there is no time margin to transfer RAM data.

In case of DDRAM read operation, cursor shift instruction plays the same role as DDRAM address set instruction, it also transfers RAM data to output data register.

After read operation, address counter is automatically increased/decreased by 1 according to the entry mode.

After CGRAM read operation, display shift may not be executed correctly.

NOTE: In case of RAM write operation, AC is increased/decreased by 1 as in read operation.

At this time, AC indicates next address position, but only the previous data can be read by the read instruction.

### Display character address code:

| Display position | 1  | 2  | 3  | 4  | 5  | 6  | 7  | 8  | 9  | 10 | 11 | 12 | 13 | 14 | 15 | 16 |
|------------------|----|----|----|----|----|----|----|----|----|----|----|----|----|----|----|----|
| DDRAM address    | 00 | 01 | 02 | 03 | 04 | 05 | 06 | 07 | 08 | 09 | 0A | 0B | 0C | 0D | 0E | 0F |
| DDRAM address    | 40 | 41 | 42 | 43 | 44 | 45 | 46 | 47 | 48 | 49 | 4A | 4B | 4C | 4D | 4E | 4F |

## Standard character pattern

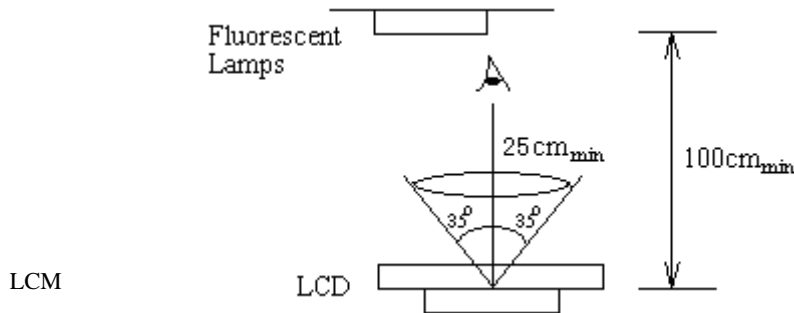
| Upper<br>4bit<br>Lower<br>4bit | LLLL             | LL LH | LL HL | LL HH | LH LL | LH LH | LH HL | LH HH | HLLL | HLLH | HLHL | HLHH | HHLL | HHLH | HHHL | HHHH |
|--------------------------------|------------------|-------|-------|-------|-------|-------|-------|-------|------|------|------|------|------|------|------|------|
| LLLL                           | CG<br>RAM<br>(1) |       |       |       |       |       |       |       |      |      |      |      |      |      |      |      |
| LL LH                          | (2)              |       |       |       |       |       |       |       |      |      |      |      |      |      |      |      |
| LL HL                          | (3)              |       |       |       |       |       |       |       |      |      |      |      |      |      |      |      |
| LL HH                          | (4)              |       |       |       |       |       |       |       |      |      |      |      |      |      |      |      |
| LH LL                          | (5)              |       |       |       |       |       |       |       |      |      |      |      |      |      |      |      |
| LH LH                          | (6)              |       |       |       |       |       |       |       |      |      |      |      |      |      |      |      |
| LH HL                          | (7)              |       |       |       |       |       |       |       |      |      |      |      |      |      |      |      |
| LH HH                          | (8)              |       |       |       |       |       |       |       |      |      |      |      |      |      |      |      |
| HLLL                           | (1)              |       |       |       |       |       |       |       |      |      |      |      |      |      |      |      |
| HLLH                           | (2)              |       |       |       |       |       |       |       |      |      |      |      |      |      |      |      |
| HLHL                           | (3)              |       |       |       |       |       |       |       |      |      |      |      |      |      |      |      |
| HLHH                           | (4)              |       |       |       |       |       |       |       |      |      |      |      |      |      |      |      |
| HHLL                           | (5)              |       |       |       |       |       |       |       |      |      |      |      |      |      |      |      |
| HHLH                           | (6)              |       |       |       |       |       |       |       |      |      |      |      |      |      |      |      |
| HHHL                           | (7)              |       |       |       |       |       |       |       |      |      |      |      |      |      |      |      |
| HHHH                           | (8)              |       |       |       |       |       |       |       |      |      |      |      |      |      |      |      |

## 11. Quality Specifications

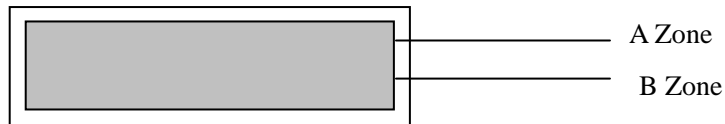
### 11.1 STANDARD OF THE PRODUCT APPEARANCE TEST

Manner of appearance test: The inspection should be performed in using 20W x 2 fluorescent lamps. Distance between LCM and fluorescent lamps should be 100 cm or more. Distance between LCM and inspector eyes should be 25 cm or more.

Viewing direction for inspection is 35° from vertical against LCM.



Definition of zone:



A Zone: Active display area (minimum viewing area).

B Zone: Non-active display area (outside viewing area).

### 11.2 SPECIFICATION OF QUALITY ASSURANCE

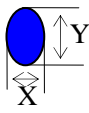
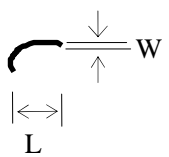
AQL inspection standard

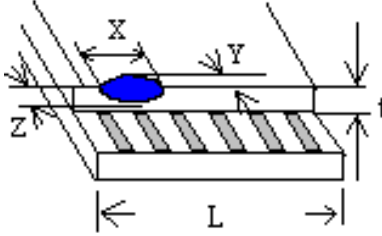
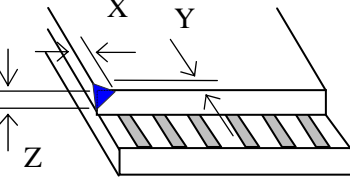
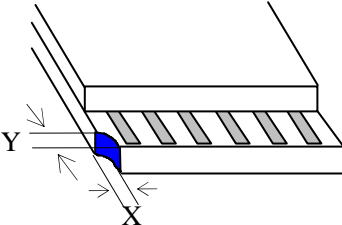
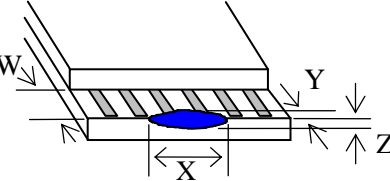
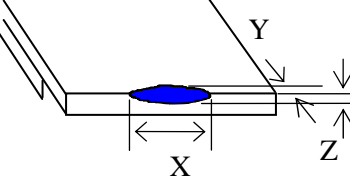
Sampling method: GB2828-87, Level II, single sampling

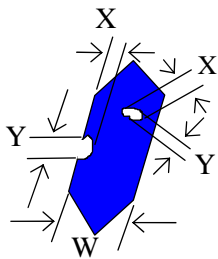
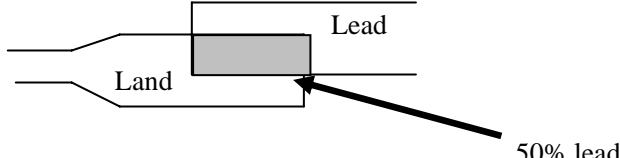
Defect classification (**Note: \* is not including**)

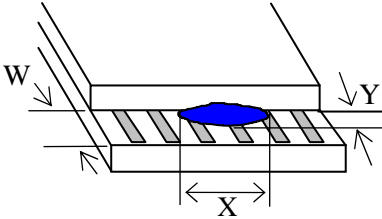
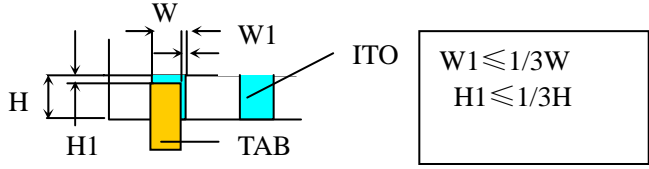
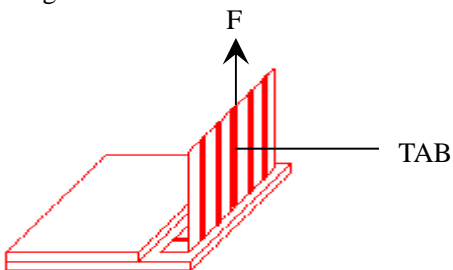
| Classify    |                            | Item                         | Note | AQL  |
|-------------|----------------------------|------------------------------|------|------|
| Major       | Display state              | Short or open circuit        | 1    | 0.65 |
|             |                            | LC leakage                   |      |      |
|             |                            | Flickering                   |      |      |
|             |                            | No display                   |      |      |
|             |                            | Wrong viewing direction      | 2    |      |
|             |                            | Contrast defect (dim, ghost) |      |      |
|             |                            | Backlight                    | 1,8  |      |
| Non-display | Flat cable or pin reverse  | 10                           |      |      |
|             | Wrong or missing component | 11                           |      |      |
| Minor       | Display state              | Background color deviation   | 2    | 1.0  |
|             |                            | Black spot and dust          | 3    |      |
|             |                            | Line defect, Scratch         | 4    |      |
|             |                            | Rainbow                      | 5    |      |
|             |                            | Chip                         | 6    |      |
|             |                            | Pin hole                     | 7    |      |
|             |                            | Protruded                    | 12   |      |
|             | Polarizer                  | Bubble and foreign material  | 3    |      |
|             | Soldering                  | Poor connection              | 9    |      |
|             | Wire                       | Poor connection              | 10   |      |
|             | TAB                        | Position, Bonding strength   | 13   |      |

**Note on defect classification**

| No.                     | Item   | Criterion  |            |                 |                  |           |                         |     |                         |           |               |                  |           |                     |
|-------------------------|--|--|------------|-----------------|------------------|-----------|-------------------------|-----|-------------------------|-----------|---------------|------------------|-----------|---------------------|
| 1                       | Short or open circuit  | Not allow  |            |                 |                  |           |                         |     |                         |           |               |                  |           |                     |
|                         | LC leakage   |  |            |                 |                  |           |                         |     |                         |           |               |                  |           |                     |
|                         | Flickering   |  |            |                 |                  |           |                         |     |                         |           |               |                  |           |                     |
|                         | No display   |  |            |                 |                  |           |                         |     |                         |           |               |                  |           |                     |
|                         | Wrong viewing direction  |  |            |                 |                  |           |                         |     |                         |           |               |                  |           |                     |
|                         | Wrong Back-light   |  |            |                 |                  |           |                         |     |                         |           |               |                  |           |                     |
| 2                       | Contrast defect  | Refer to approval sample   |            |                 |                  |           |                         |     |                         |           |               |                  |           |                     |
|                         | Background color deviation   |  |            |                 |                  |           |                         |     |                         |           |               |                  |           |                     |
| 3                       | Point defect,<br>Black spot, dust<br>(including Polarizer)<br><br>$\phi = (X+Y)/2$ |  <table border="1" data-bbox="861 963 1300 1220"> <thead> <tr> <th>Point Size</th> <th>Acceptable Qty.</th> </tr> </thead> <tbody> <tr> <td><math>\phi \leq 0.10</math></td> <td>Disregard</td> </tr> <tr> <td><math>0.10 &lt; \phi \leq 0.15</math></td> <td>2</td> </tr> <tr> <td><math>0.15 &lt; \phi \leq 0.25</math></td> <td>1</td> </tr> <tr> <td><math>\phi &gt; 0.25</math></td> <td>0</td> </tr> </tbody> </table> <p style="text-align: center;">Unit: Inch<sup>2</sup></p>                                       | Point Size | Acceptable Qty. | $\phi \leq 0.10$ | Disregard | $0.10 < \phi \leq 0.15$ | 2   | $0.15 < \phi \leq 0.25$ | 1         | $\phi > 0.25$ | 0                |           |                     |
| Point Size              | Acceptable Qty.  |  |            |                 |                  |           |                         |     |                         |           |               |                  |           |                     |
| $\phi \leq 0.10$        | Disregard  |  |            |                 |                  |           |                         |     |                         |           |               |                  |           |                     |
| $0.10 < \phi \leq 0.15$ | 2  |  |            |                 |                  |           |                         |     |                         |           |               |                  |           |                     |
| $0.15 < \phi \leq 0.25$ | 1  |  |            |                 |                  |           |                         |     |                         |           |               |                  |           |                     |
| $\phi > 0.25$           | 0  |  |            |                 |                  |           |                         |     |                         |           |               |                  |           |                     |
| 4                       | Line defect,<br>Scratch  |  <table border="1" data-bbox="790 1444 1340 1624"> <thead> <tr> <th colspan="2">Line</th> <th rowspan="2">Acceptable Qty.</th> </tr> <tr> <th>L</th> <th>W</th> </tr> </thead> <tbody> <tr> <td>---</td> <td><math>0.05 &gt; W</math></td> <td rowspan="3">Disregard</td> </tr> <tr> <td><math>3.0 &gt; L</math></td> <td><math>0.1 &gt; W &gt; 0.05</math></td> </tr> <tr> <td><math>2.0 &gt; L</math></td> <td><math>0.15 \geq W &gt; 0.1</math></td> </tr> </tbody> </table> <p style="text-align: center;">Unit: mm</p> | Line       |                 | Acceptable Qty.  | L         | W                       | --- | $0.05 > W$              | Disregard | $3.0 > L$     | $0.1 > W > 0.05$ | $2.0 > L$ | $0.15 \geq W > 0.1$ |
| Line                    |  | Acceptable Qty.  |            |                 |                  |           |                         |     |                         |           |               |                  |           |                     |
| L                       | W  |  |            |                 |                  |           |                         |     |                         |           |               |                  |           |                     |
| ---                     | $0.05 > W$   | Disregard  |            |                 |                  |           |                         |     |                         |           |               |                  |           |                     |
| $3.0 > L$               | $0.1 > W > 0.05$   |  |            |                 |                  |           |                         |     |                         |           |               |                  |           |                     |
| $2.0 > L$               | $0.15 \geq W > 0.1$  |  |            |                 |                  |           |                         |     |                         |           |               |                  |           |                     |
| 5                       | Rainbow  | Not more than two color changes across the viewing area.   |            |                 |                  |           |                         |     |                         |           |               |                  |           |                     |

| No                     | Item   | Criterion   |   |   |   |         |       |            |   |   |   |          |       |          |   |   |   |          |          |          |                        |  |  |   |   |   |           |            |          |   |   |   |          |          |            |
|------------------------|--|---|---|---|---|---------|-------|------------|---|---|---|----------|-------|----------|---|---|---|----------|----------|----------|------------------------|--|--|---|---|---|-----------|------------|----------|---|---|---|----------|----------|------------|
| 6                      | Chip<br><br>Remark:<br>X: Length direction<br>Y: Short direction<br>Z: Thickness direction<br>t: Glass thickness<br>W: Terminal width<br>L: Glass length |  <p>Acceptable criterion</p> <table border="1" data-bbox="933 470 1324 548"> <thead> <tr> <th>X</th> <th>Y</th> <th>Z</th> </tr> </thead> <tbody> <tr> <td><math>&lt; L/8</math></td> <td>0.5mm</td> <td><math>\leq t/2</math></td> </tr> </tbody> </table><br> <p>Acceptable criterion</p> <table border="1" data-bbox="917 784 1324 862"> <thead> <tr> <th>X</th> <th>Y</th> <th>Z</th> </tr> </thead> <tbody> <tr> <td><math>\leq 2</math></td> <td>0.5mm</td> <td><math>\leq t</math></td> </tr> </tbody> </table><br> <p>Acceptable criterion</p> <table border="1" data-bbox="933 1075 1324 1187"> <thead> <tr> <th>X</th> <th>Y</th> <th>Z</th> </tr> </thead> <tbody> <tr> <td><math>\leq 3</math></td> <td><math>\leq 2</math></td> <td><math>\leq t</math></td> </tr> <tr> <td colspan="2">shall not reach to ITO</td> <td></td> </tr> </tbody> </table><br> <p>Acceptable criterion</p> <table border="1" data-bbox="917 1456 1324 1534"> <thead> <tr> <th>X</th> <th>Y</th> <th>Z</th> </tr> </thead> <tbody> <tr> <td>Disregard</td> <td><math>\leq 0.2</math></td> <td><math>\leq t</math></td> </tr> </tbody> </table><br> <p>Acceptable criterion</p> <table border="1" data-bbox="917 1736 1292 1814"> <thead> <tr> <th>X</th> <th>Y</th> <th>Z</th> </tr> </thead> <tbody> <tr> <td><math>\leq 5</math></td> <td><math>\leq 2</math></td> <td><math>\leq t/3</math></td> </tr> </tbody> </table> | X | Y | Z | $< L/8$ | 0.5mm | $\leq t/2$ | X | Y | Z | $\leq 2$ | 0.5mm | $\leq t$ | X | Y | Z | $\leq 3$ | $\leq 2$ | $\leq t$ | shall not reach to ITO |  |  | X | Y | Z | Disregard | $\leq 0.2$ | $\leq t$ | X | Y | Z | $\leq 5$ | $\leq 2$ | $\leq t/3$ |
| X                      | Y  | Z   |   |   |   |         |       |            |   |   |   |          |       |          |   |   |   |          |          |          |                        |  |  |   |   |   |           |            |          |   |   |   |          |          |            |
| $< L/8$                | 0.5mm  | $\leq t/2$  |   |   |   |         |       |            |   |   |   |          |       |          |   |   |   |          |          |          |                        |  |  |   |   |   |           |            |          |   |   |   |          |          |            |
| X                      | Y  | Z   |   |   |   |         |       |            |   |   |   |          |       |          |   |   |   |          |          |          |                        |  |  |   |   |   |           |            |          |   |   |   |          |          |            |
| $\leq 2$               | 0.5mm  | $\leq t$  |   |   |   |         |       |            |   |   |   |          |       |          |   |   |   |          |          |          |                        |  |  |   |   |   |           |            |          |   |   |   |          |          |            |
| X                      | Y  | Z   |   |   |   |         |       |            |   |   |   |          |       |          |   |   |   |          |          |          |                        |  |  |   |   |   |           |            |          |   |   |   |          |          |            |
| $\leq 3$               | $\leq 2$   | $\leq t$  |   |   |   |         |       |            |   |   |   |          |       |          |   |   |   |          |          |          |                        |  |  |   |   |   |           |            |          |   |   |   |          |          |            |
| shall not reach to ITO |  |   |   |   |   |         |       |            |   |   |   |          |       |          |   |   |   |          |          |          |                        |  |  |   |   |   |           |            |          |   |   |   |          |          |            |
| X                      | Y  | Z   |   |   |   |         |       |            |   |   |   |          |       |          |   |   |   |          |          |          |                        |  |  |   |   |   |           |            |          |   |   |   |          |          |            |
| Disregard              | $\leq 0.2$   | $\leq t$  |   |   |   |         |       |            |   |   |   |          |       |          |   |   |   |          |          |          |                        |  |  |   |   |   |           |            |          |   |   |   |          |          |            |
| X                      | Y  | Z   |   |   |   |         |       |            |   |   |   |          |       |          |   |   |   |          |          |          |                        |  |  |   |   |   |           |            |          |   |   |   |          |          |            |
| $\leq 5$               | $\leq 2$   | $\leq t/3$  |   |   |   |         |       |            |   |   |   |          |       |          |   |   |   |          |          |          |                        |  |  |   |   |   |           |            |          |   |   |   |          |          |            |

| No.                     | Item   | Criterion  |            |                |                  |           |                         |   |               |   |
|-------------------------|--|--|------------|----------------|------------------|-----------|-------------------------|---|---------------|---|
| 7                       | Segment pattern<br>W = Segment width<br>$\phi = (X+Y)/2$ | (1) Pin hole<br>$\phi < 0.10\text{mm}$ is acceptable.<br> <table border="1" data-bbox="853 622 1316 795"> <thead> <tr> <th>Point Size</th> <th>Acceptable Qty</th> </tr> </thead> <tbody> <tr> <td><math>\phi \leq 1/4W</math></td> <td>Disregard</td> </tr> <tr> <td><math>1/4W &lt; \phi \leq 1/2W</math></td> <td>1</td> </tr> <tr> <td><math>\phi &gt; 1/2W</math></td> <td>0</td> </tr> </tbody> </table> <p style="text-align: right;">Unit: mm</p> | Point Size | Acceptable Qty | $\phi \leq 1/4W$ | Disregard | $1/4W < \phi \leq 1/2W$ | 1 | $\phi > 1/2W$ | 0 |
| Point Size              | Acceptable Qty   |  |            |                |                  |           |                         |   |               |   |
| $\phi \leq 1/4W$        | Disregard  |  |            |                |                  |           |                         |   |               |   |
| $1/4W < \phi \leq 1/2W$ | 1  |  |            |                |                  |           |                         |   |               |   |
| $\phi > 1/2W$           | 0  |  |            |                |                  |           |                         |   |               |   |
| 8                       | Back-light   | (1) The color of backlight should be in match with the specification.<br>(2) Not allow flickering  |            |                |                  |           |                         |   |               |   |
| 9                       | Soldering  | (1) Not allow heavy dirty and solder ball on PCB.<br>(The size of dirty refer to point and dust defect)<br>(2) Over 50% of lead should be soldered on Land.    |            |                |                  |           |                         |   |               |   |
| 10                      | Wire   | (1) Copper wire should not be rusted<br>(2) Not allow crack on copper wire connection.<br>(3) Not allow reversing the position of the flat cable.<br>(4) Not allow exposed copper wire inside the flat cable.  |            |                |                  |           |                         |   |               |   |
| 11*                     | PCB  | (1) Not allow screw rust or damage.<br>(2) Not allow missing or wrong putting of component.  |            |                |                  |           |                         |   |               |   |

| No | Item                               | Criterion   |
|----|------------------------------------|---|
| 12 | Protruded<br><br>W: Terminal Width |  <p>Acceptable criteria:<br/><math>Y \leq 0.4</math></p>   |
| 13 | TAB                                | <p>1. Position</p>  <p>2. TAB bonding strength test</p>  <p><math>P (=F/TAB \text{ bonding width}) \geq 650\text{gf/cm}</math> ,(speed rate: 1mm/min)<br/>5pcs per SOA (shipment)</p> |
| 14 | Total no. of acceptable Defect     | <p>A. Zone</p> <p>Maximum 2 minor non-conformities per one unit.<br/>Defect distance: each point to be separated over 10mm</p> <p>B. Zone</p> <p>It is acceptable when it is no trouble for quality and assembly in customer's end product.</p>   |



### 11.3 RELIABILITY OF LCM

Reliability test condition:

| Item                 | Condition                                     | Time (hrs) | Assessment   |
|----------------------|---|------------|--|
| High temp. Storage   | 80°C  | 48         | No abnormalities<br>in functions<br>and appearance |
| High temp. Operating | 70°C  | 48         |  |
| Low temp. Storage    | -30°C   | 48         |  |
| Low temp. Operating  | -20°C   | 48         |  |
| Humidity             | 40°C/ 90%RH                                   | 48         |  |
| Temp. Cycle          | 0°C ← 25°C → 50°C<br>(30 min ← 5 min → 30min) | 10cycles   |  |

Recovery time should be 24 hours minimum. Moreover, functions, performance and appearance shall be free from remarkable deterioration within 50,000 hours under ordinary operating and storage conditions room temperature (20±8°C), normal humidity (below 65% RH), and in the area not exposed to direct sun light.

### 11.4 PRECAUTION FOR USING LCD/LCM

LCD/LCM is assembled and adjusted with a high degree of precision. Do not attempt to make any alteration or modification. The followings should be noted.

#### GENERAL PRECAUTIONS:

1. LCD panel is made of glass. Avoid excessive mechanical shock or applying strong pressure onto the surface of display area.
2. The polarizer used on the display surface is easily scratched and damaged. Extreme care should be taken when handling. To clean dust or dirt off the display surface, wipe gently with cotton, or other soft material soaked with isopropyl alcohol, ethyl alcohol or trichlorotrifluoroethane, do not use water, ketone or aromatics and never scrub hard.
3. Do not tamper in any way with the tabs on the metal frame.
4. Do not make any modification on the PCB without consulting Focus Display Solutions, Inc.
5. When mounting a LCM, make sure that the PCB is not under any stress such as bending or twisting. Elastomer contacts are very delicate and missing pixels could result from slight dislocation of any of the elements.
6. Avoid pressing on the metal bezel, otherwise the elastomer connector could be deformed and lose contact, resulting in missing pixels and also cause rainbow on the display.
7. Be careful not to touch or swallow liquid crystal that might leak from a damaged cell. Any liquid crystal spreads to skin or clothes, wash it off immediately with soap and water.

#### STATIC ELECTRICITY PRECAUTIONS:

1. CMOS-LSI is used for the module circuit; therefore operators should be grounded whenever he/she comes into

contact with the module.

2. Do not touch any of the conductive parts such as the LSI pads; the copper leads on the PCB and the interface terminals with any parts of the human body.
3. Do not touch the connection terminals of the display with bare hand; it will cause disconnection or defective insulation of terminals.
4. The modules should be kept in anti-static bags or other containers resistant to static for storage.
5. Only properly grounded soldering irons should be used.
6. If an electric screwdriver is used, it should be grounded and shielded to prevent sparks.
7. The normal static prevention measures should be observed for work clothes and working benches.
8. Since dry air is inductive to static, a relative humidity of 50-60% is recommended.

### **SOLDERING PRECAUTIONS:**

1. Soldering should be performed only on the I/O terminals.
2. Use soldering irons with proper grounding and no leakage.
3. Soldering temperature:  $280^{\circ}\text{C}\pm 10^{\circ}\text{C}$
4. Soldering time: 3 to 4 second.
5. Use eutectic solder with resin flux filling.
6. If flux is used, the LCD surface should be protected to avoid spattering flux.
7. Flux residue should be removed.

### **OPERATION PRECAUTIONS:**

1. The viewing angle can be adjusted by varying the LCD driving voltage  $V_o$ .
2. Since applied DC voltage causes electro-chemical reactions, which deteriorate the display, the applied pulse waveform should be a symmetric waveform such that no DC component remains. Be sure to use the specified operating voltage.
3. Driving voltage should be kept within specified range; excess voltage will shorten display life.
4. Response time increases with decrease in temperature.
5. Display color may be affected at temperatures above its operational range.
6. Keep the temperature within the specified range usage and storage. Excessive temperature and humidity could cause polarization degradation, polarizer peel-off or generate bubbles.
7. For long-term storage over  $40^{\circ}\text{C}$  is required, the relative humidity should be kept below 60%, and avoid direct sunlight.