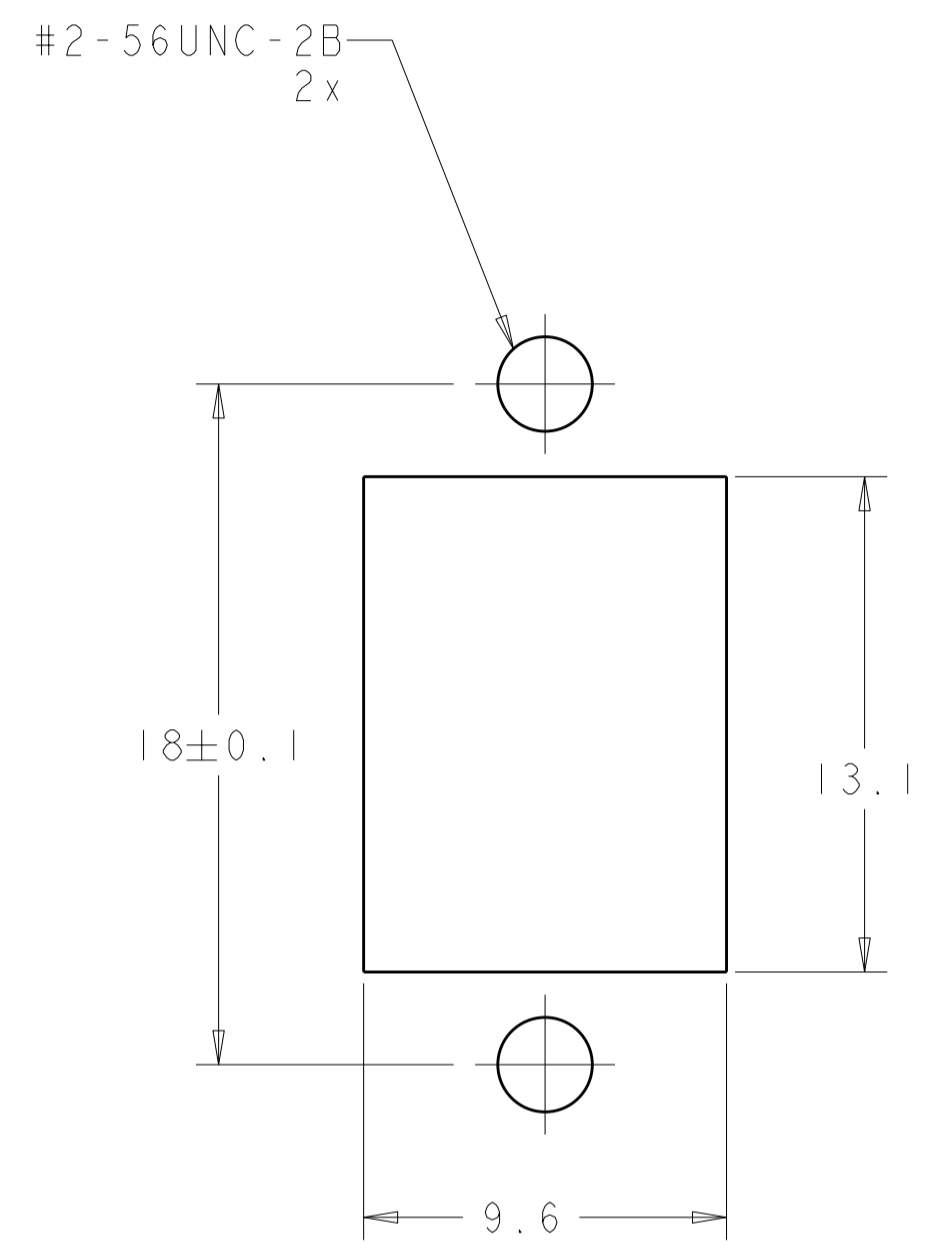
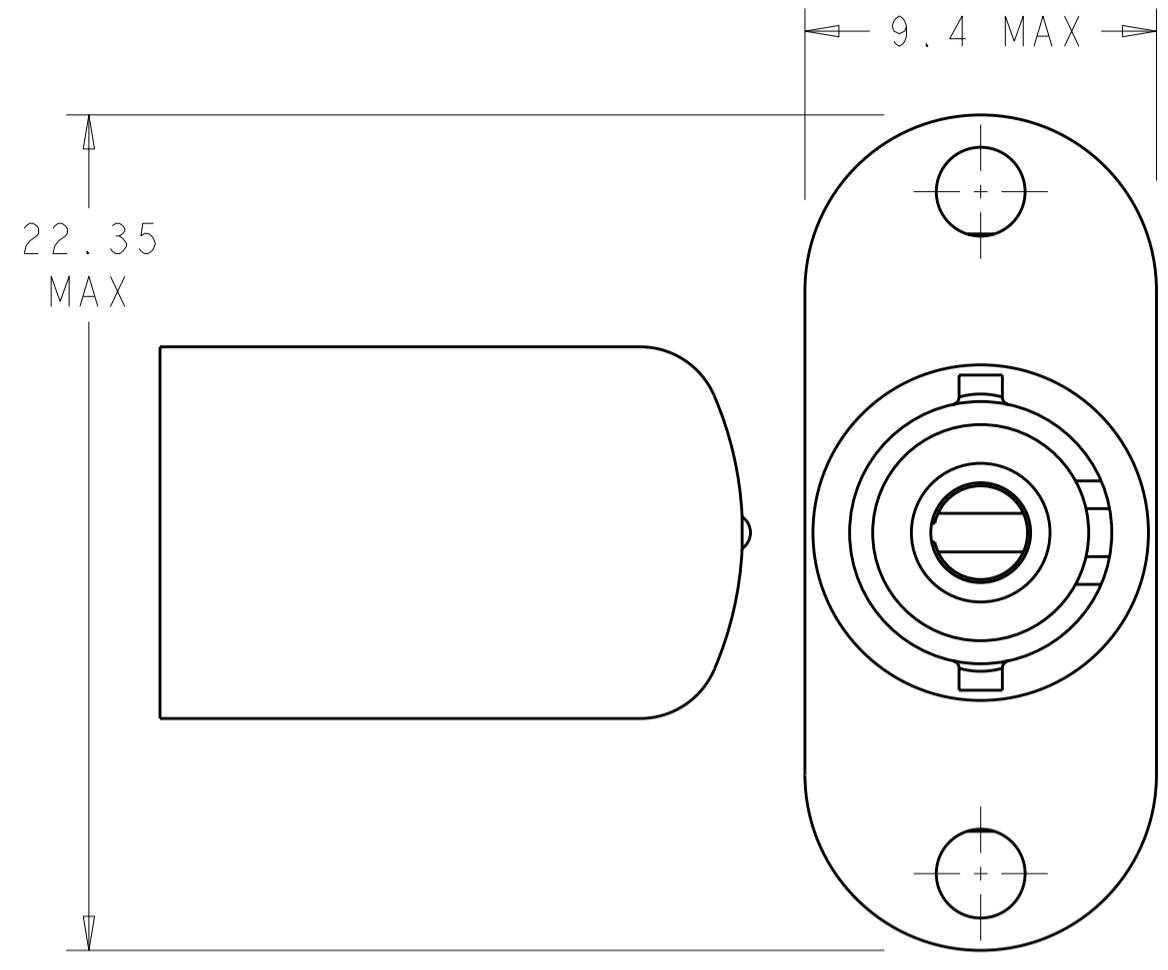
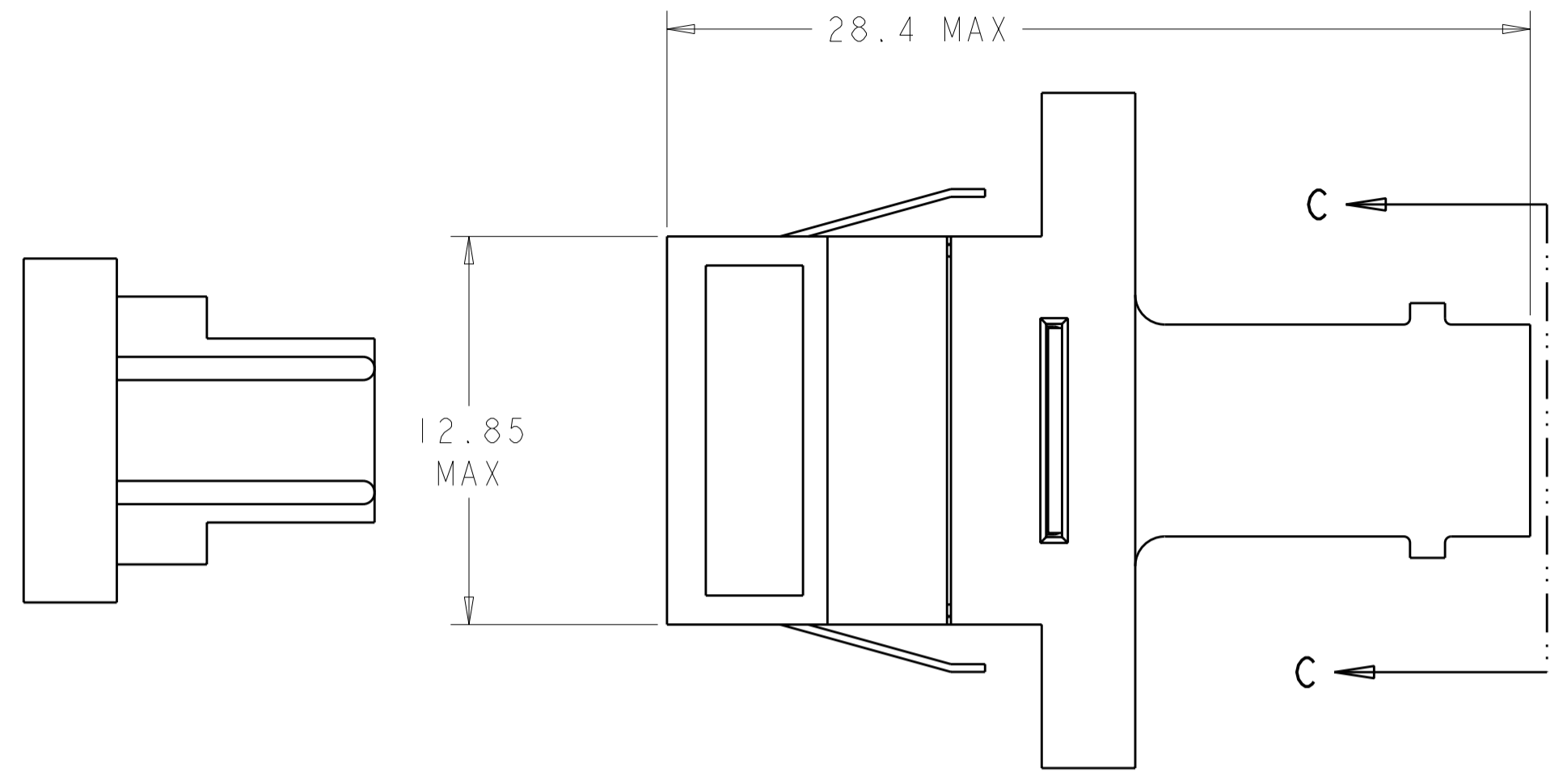


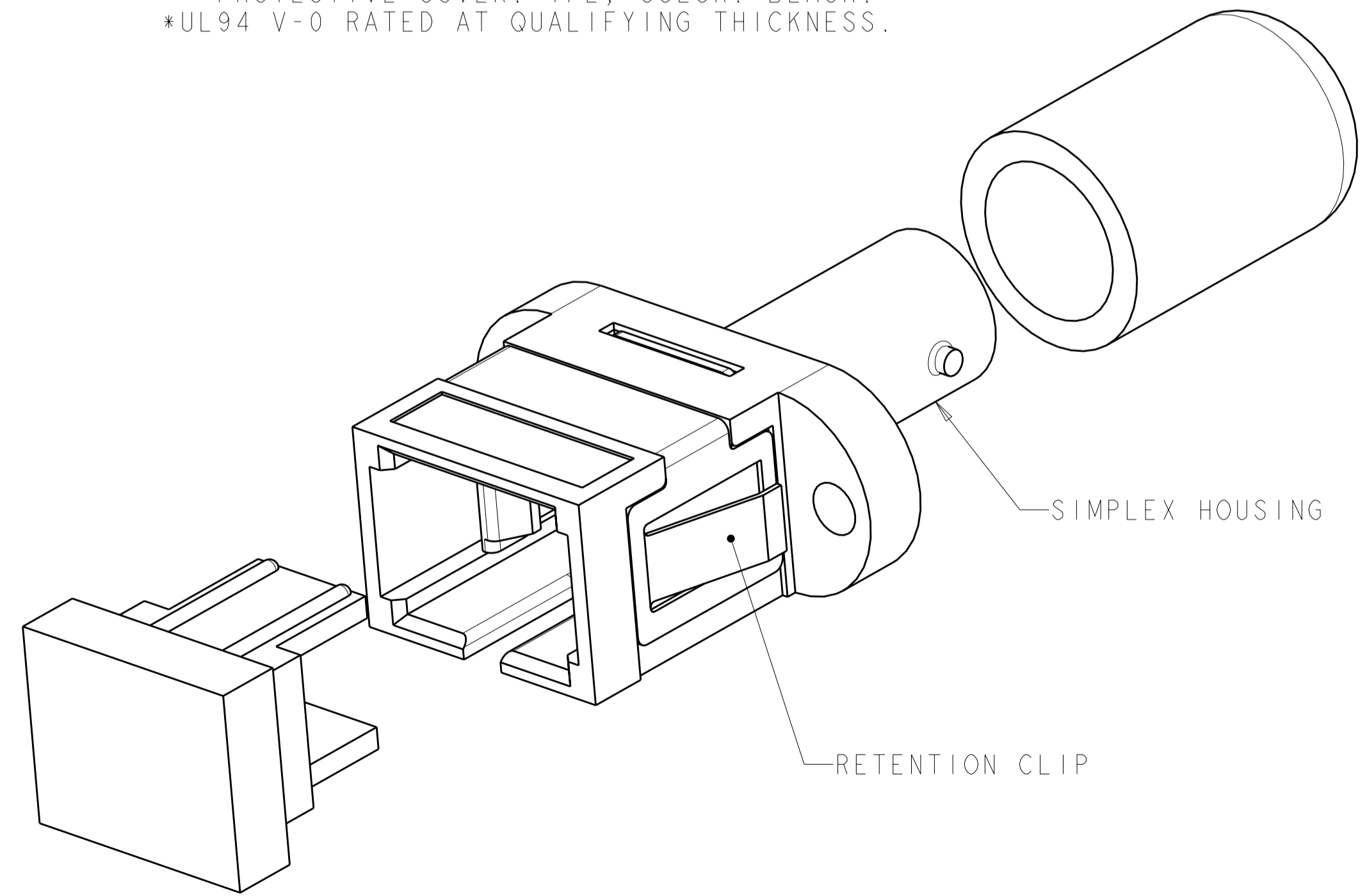
THIS DRAWING IS UNPUBLISHED. RELEASED FOR PUBLICATION 20  
 © COPYRIGHT 20 BY TYCO ELECTRONICS CORPORATION. ALL RIGHTS RESERVED.

LOC CE DIST 00

REVISIONS					
P	LTR	DESCRIPTION	DATE	DWN	APVD
L		REVISE PER 0A00-0549-04	01NOV2004	BB	SM
M		REVISE PER ECR-05-008692	16AUG2005	BB	SM
N		REVISE PER ECR-08-000844	23JAN2008	BB	SM



**MATERIAL:**  
 HOUSING: PBT-GF30, SEE DASH NUMBERS FOR COLOR.\*  
 RETAINER: PEI-GF30, COLOR: BLACK.\*  
 RETENTION CLIP: STAINLESS STEEL.  
 ALIGNMENT SLEEVE: SEE DASH NUMBERS.  
 PROTECTIVE CAP: VINYL.  
 PROTECTIVE COVER: TPE, COLOR: BLACK.\*  
 \*UL94 V-0 RATED AT QUALIFYING THICKNESS.



CERAMIC	BEIGE	502780-6
CERAMIC	BLUE	502780-5
CERAMIC	BLACK	502780-4
METAL	BEIGE	502780-3
METAL	BLUE	502780-2
METAL	BLACK	502780-1
ALIGNMENT SLEEVE	COLOR	PART NUMBER

THIS DRAWING IS A CONTROLLED DOCUMENT FOR TYCO ELECTRONICS CORPORATION. IT IS SUBJECT TO CHANGE AND THE CONTROLLING ENGINEERING ORGANIZATION SHOULD BE CONTACTED FOR THE LATEST REVISION.

DIMENSIONS:	TOLERANCES UNLESS OTHERWISE SPECIFIED:	DWN B. BRIGGS 01NOV2004	Tyco Electronics Harrisburg, PA 17105-3608
mm	0 PLC ± 1 PLC ±0.1 2 PLC ±0.05 3 PLC ± 4 PLC ±	CHK S. MILLER 01NOV2004	
	ANGLES ±	APVD S. BUCHTER 01NOV2004	
MATERIAL	FINISH	PRODUCT SPEC	
		APPLICATION SPEC	NAME RECEPACLE ASSEMBLY, AMP SC TO BAYONET
		WEIGHT	SIZE CAGE CODE DRAWING NO RESTRICTED TO
		CUSTOMER DRAWING	A200779 C-502780
			SCALE 5:1 SHEET OF REV N