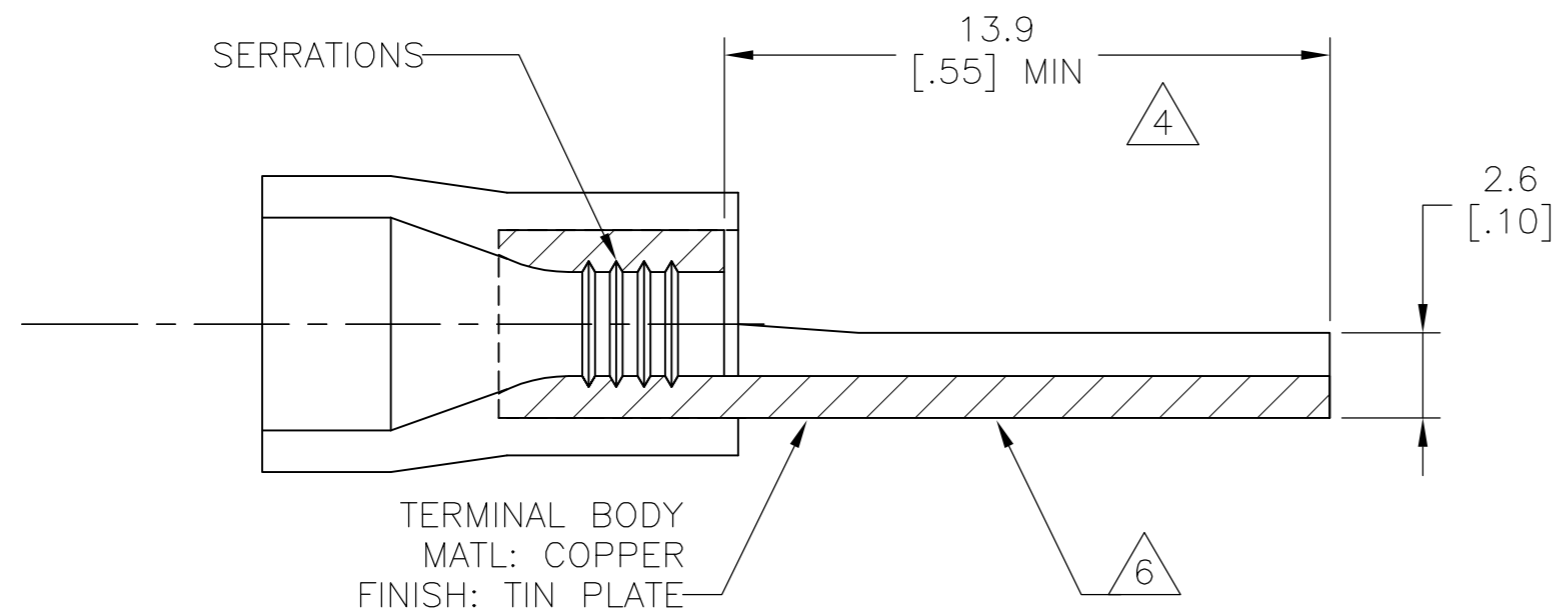
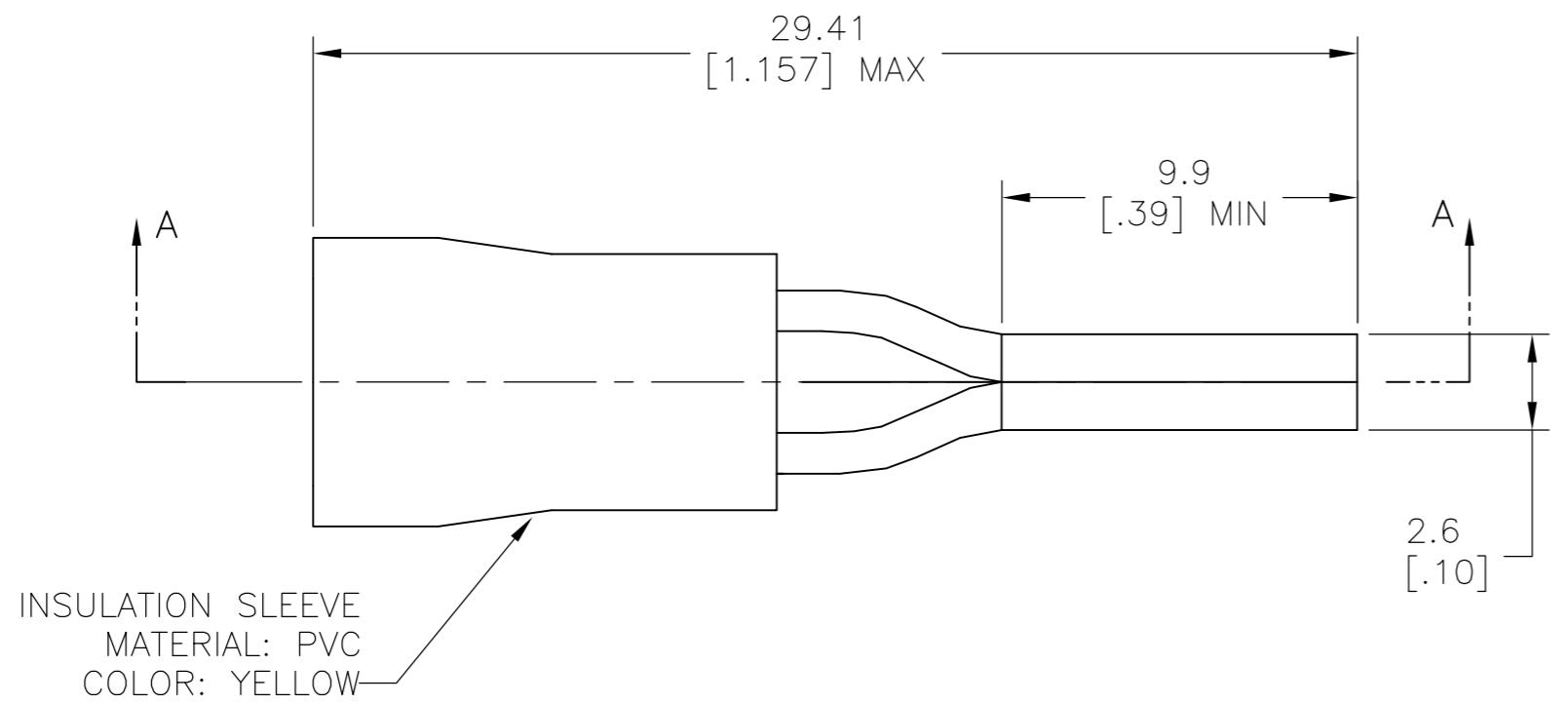


THIS DRAWING IS UNPUBLISHED. RELEASED FOR PUBLICATION
 © COPYRIGHT - By - ALL RIGHTS RESERVED.

LOC	DIST	REVISIONS			
P	LTR	DESCRIPTION	DATE	DWN	APVD
G	02	G2 REVISED PER ECO-14-003208	15MAR2014	NK	DR



SECTION A-A

- 1 WIRE SIZE IS #12-#10 AWG
- 2 INSULATION DIA: 3.8 - 6.4 [.15-.25]
- 3 MATERIAL THICKNESS IS 1.0 [.04]
- 4 DIMENSION APPLIES FROM EDGE OF METAL WIRE BARREL TO END OF PIN
- 5 SUPERSEDED BY 342196-1
- 6 STAMP AMP 12-10* APPROX AS SHOWN
- 7 MAX RECOMMENDED OPERATING TEMPERATURE 105°C[221°F]

	POLY BAG WITH HEADER	STANDARD	50	5	7-342196-1
	PLASTIC BOX	STANDARD	50	5	6-342196-1
OBSOLETE	TAPED MOUNTED	STANDARD	2000		2-342196-1
	LOOSE PIECE	STANDARD	500		342196-1
	PACKAGING	LABELLING	QTY		PART NO

THIS DRAWING IS A CONTROLLED DOCUMENT.		DWN jr ruth 07AUG03			
DIMENSIONS: mm [INCHES]		CHK T MICHELUTTI 07AUG03			
TOLERANCES UNLESS OTHERWISE SPECIFIED:		APVD T MICHELUTTI 07AUG03	NAME		
0 PLC ± -		PRODUCT SPEC	TERMINAL, WIRE PIN, PLASTI-GRIP,		
1 PLC ± 0.5[.02]		APPLICATION SPEC	SIZE	CAGE CODE	DRAWING NO
2 PLC ± -			A2	00779	C=342196
3 PLC ± -		WEIGHT	RESTRICTED TO		
4 PLC ± -			-		
ANGLES ± 1°		CUSTOMER DRAWING	SCALE	SHEET	REV
MATERIAL			5:1	1 of 1	G2
FINISH					