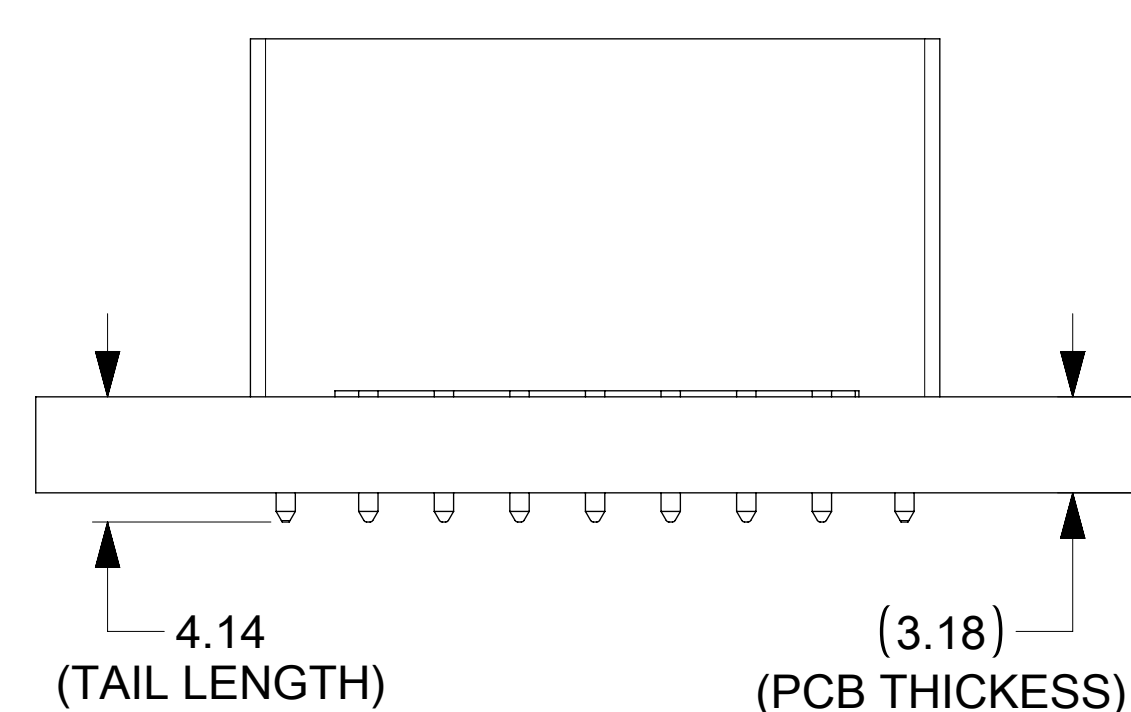
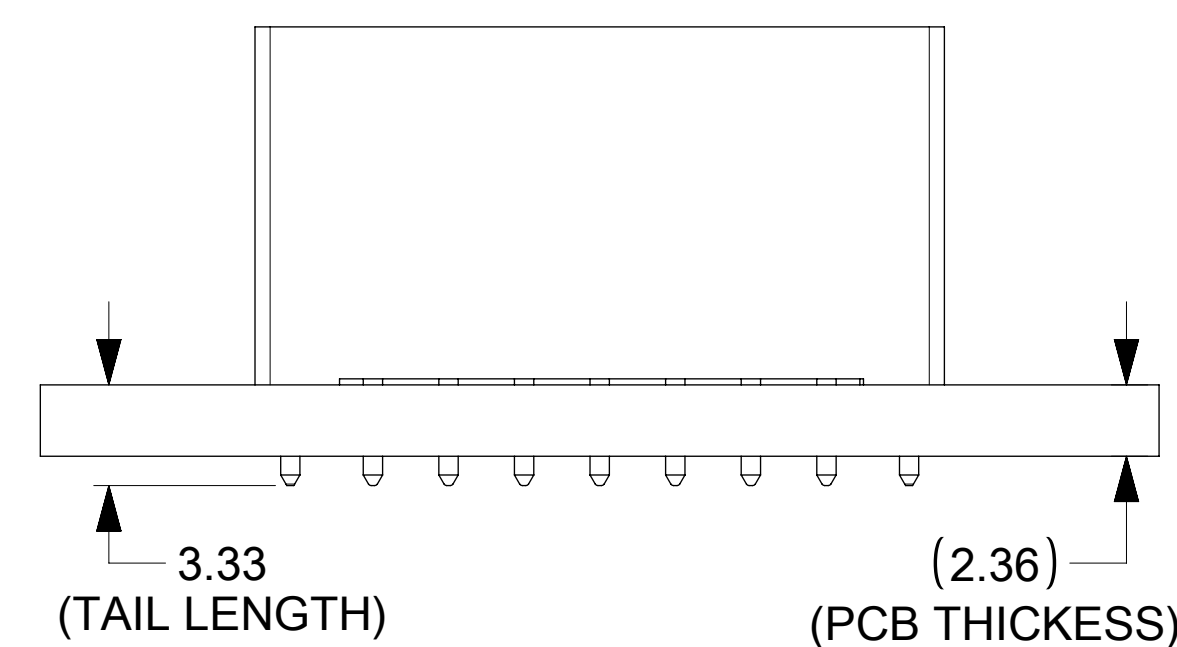
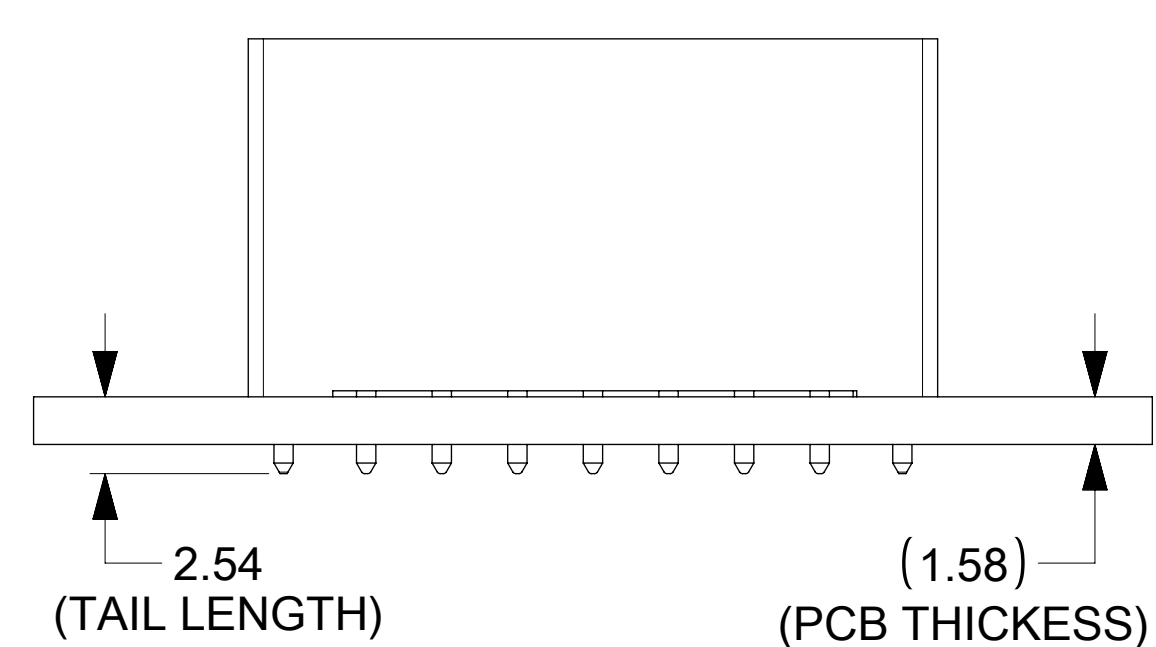


MATED WITH MALE-PIN ASSEMBLY

- NOTES:**
- MATERIALS:**
    - TERMINALS & COMPLIANT PINS: COPPER ALLOY
    - POLYMER WITH GLASS FILLED; COLOR:BLACK
    - OTHER COMPONENT: STAINLESS STEEL
  - PLATING:**
    - CONTACT AREA: GOLD.
    - REST AREA: SILVER WITH TARNISH INHIBITOR
  - MATES WITH THE STANDARD PIN DRAWINGS:**
    - 6.0MM SMT DRAWING 2032630136-SD, MIN MATING DISTANCE 3.25MM
    - 6.0MM PRESS FIT DRAWING 2032630006-SD, MIN MATING DISTANCE 2.00MM
    - 6.0MM SCREW MOUNT DRAWING 2032636185-SD, MIN MATING DISTANCE 5.05MM
  - PRODUCT SPECIFICATION:** 2151130000-PS (REFER THIS FOR PLATED THRU HOLE SIZE).
  - APPLICATION SPECIFICATION:** 2151130000-AS
  - PACKAGING SPECIFICATION:** 2151130000-PK
  - SILVER COMPONENTS WILL BE SUPPLIED TARNISH FREE BUT MAY TARNISH OVER TIME.**
  - MAX. OFFSET MATING IS 1.00MM IN ALL DIRECTION WITHIN X-Y PLAN.**
  - RECOMMENDED PCB THICKNESS: REFER TO RESPECTIVE TAIL VIEW / TABLE IN SHEET 2.**
  - MODULE ASSEMBLY IS RoHS COMPLIANT.**
  - MEET COSMETIC SPEC PS-45499-002; CLASS B.**
  - FOR USE WITH '2-32' TYPE AB SELF THREADING SCREWS. MOLEX SCREW P/N 73726-XXXX OF LENGTH X.XXMM. MAX TORQUE IS 4IN-LBS.**
  - ONLY COMPLIANT PIN WITH PLANE HOUSING (PN: 2141320001) IS TOOLED AND ONLY DESIGN EXIST FOR REST ALL PART NUMBERS. REFER TABLE IN SHEET 2 FOR TOOLING STATUS. CONTACT MOLEX FOR MORE INFORMATION.**

**SOLDER-TAIL VERSION (NOT TOOLED) (SEE NOTE 13)**



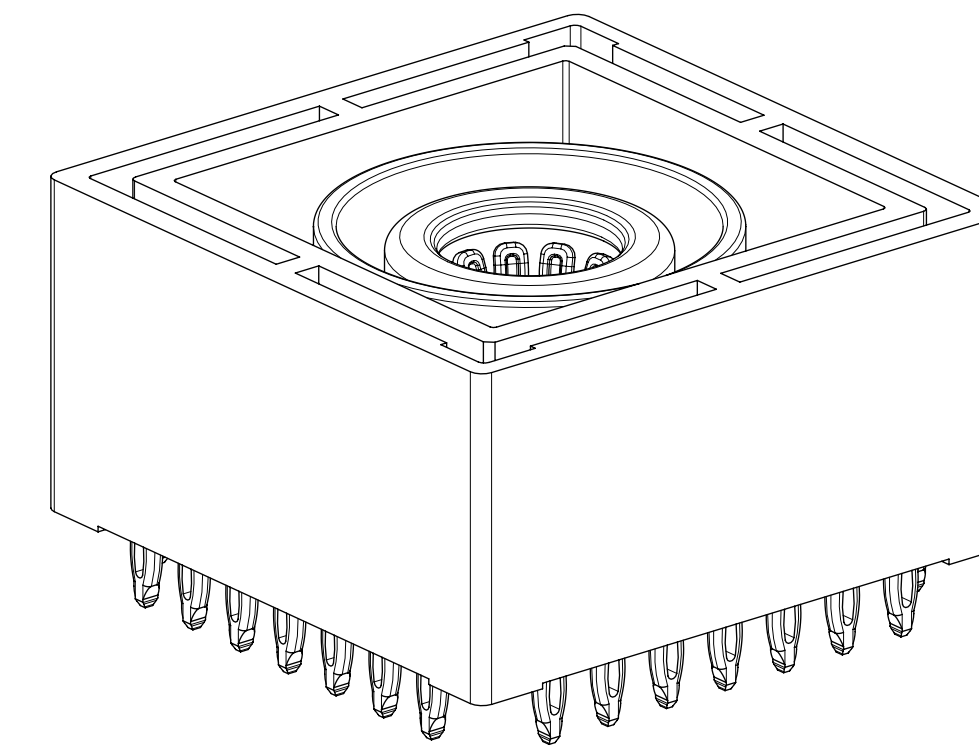
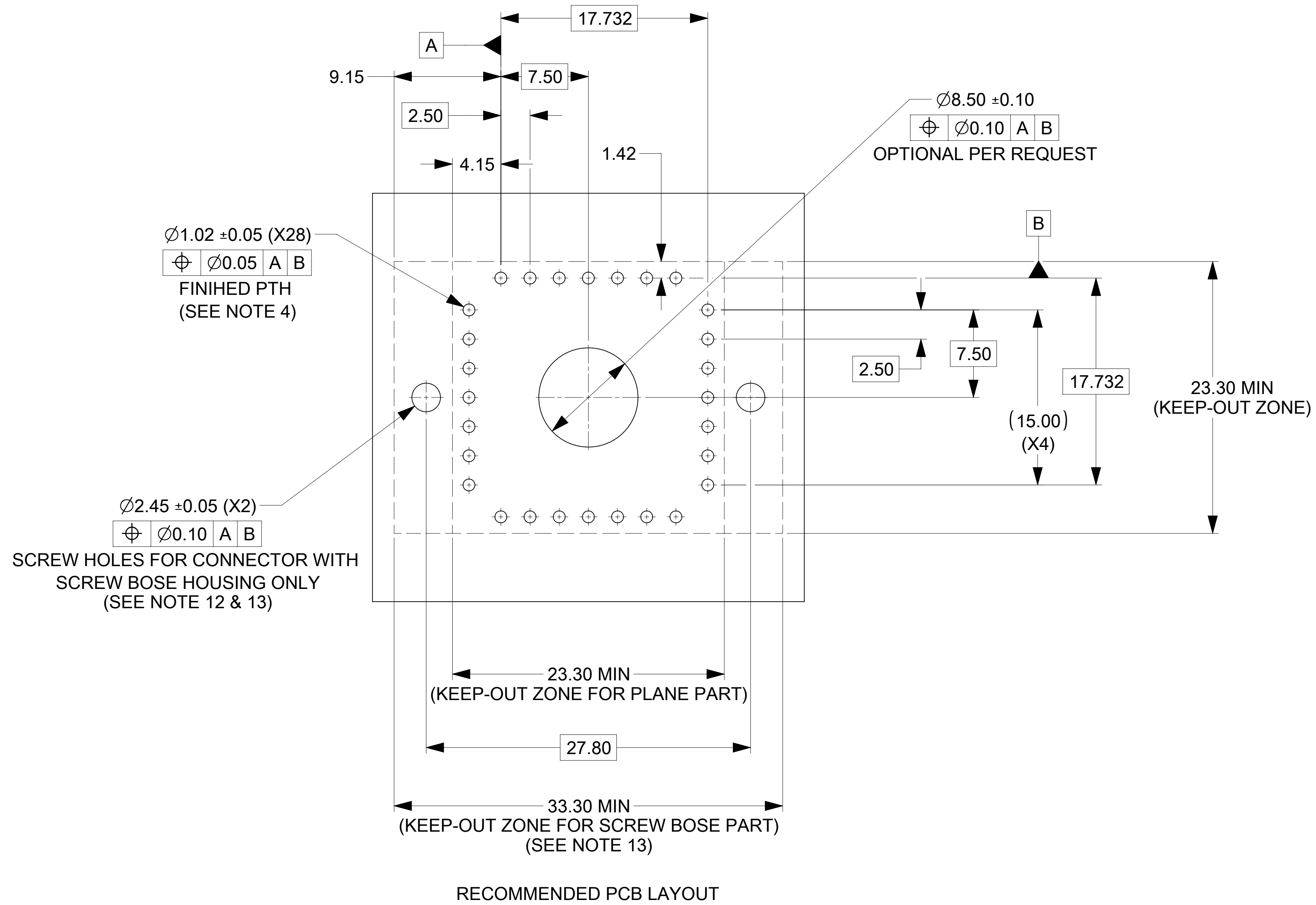
FOR .062" PCB

FOR .093" PCB

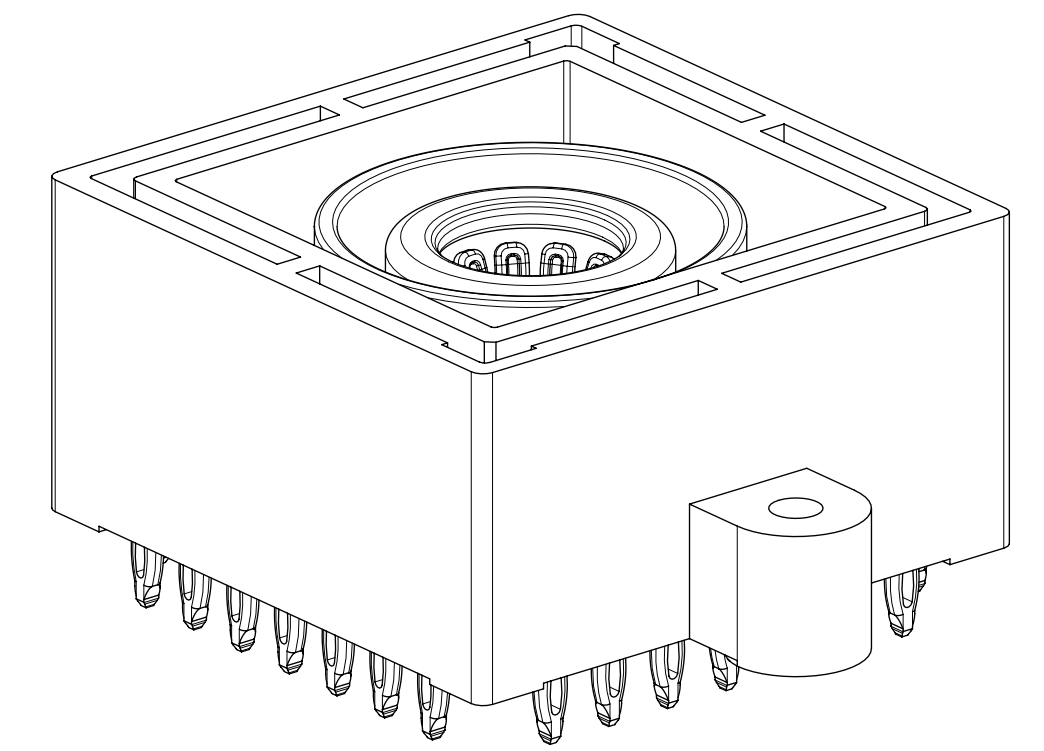
FOR .125" PCB

THIS DRAWING CONTAINS INFORMATION THAT IS PROPRIETARY TO MOLEX ELECTRONIC TECHNOLOGIES, LLC AND SHOULD NOT BE USED WITHOUT WRITTEN PERMISSION

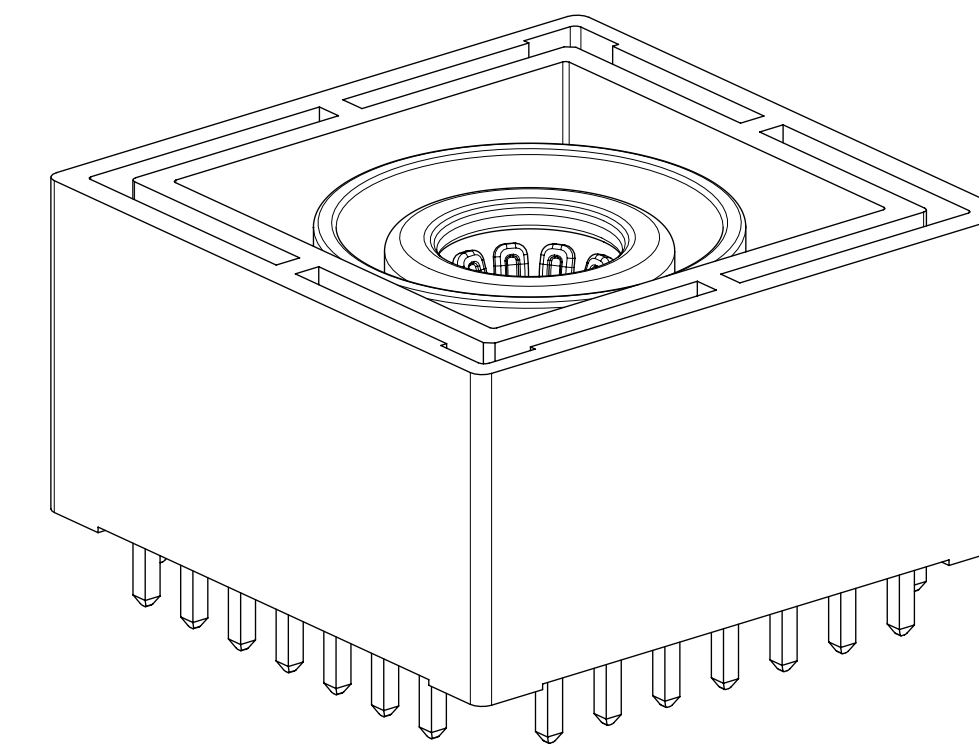
DIMENSION UNITS	SCALE	CURRENT REV DESC: UPDATED GENERIC TOLERANCE.		<b>molex</b>		
mm	4:1					
GENERAL TOLERANCES (UNLESS SPECIFIED)		EC NO: 692327		ASSEMBLY, COMPLIANT PIN & SOLDER LEG 6.00MM COEUR CENTRALITY EON, WITH FLOAT		
ANGULAR TOL	± °	DRWN: SCS02	2021/12/16	PRODUCT CUSTOMER DRAWING		
4 PLACES	±	CHK'D: JJONIAK	2022/01/20	DOCUMENT NUMBER		
3 PLACES	±	APPR: JJONIAK	2022/01/20	DOC TYPE DOC PART REVISION		
2 PLACES	± 0.38	INITIAL REVISION:		2151130000-SD		
1 PLACE	± 0.25	DRWN: MZHANG162		PSD 000 A3		
0 PLACES	±	APPR: BPISZCZOR		2021/05/12		
DRAFT WHERE APPLICABLE MUST REMAIN WITHIN DIMENSIONS		THIRD ANGLE PROJECTION	DRAWING	SERIES	MATERIAL NUMBER	CUSTOMER
			D-SIZE	215113	SEE TABLE	GENERAL MARKET
						SHEET NUMBER
						1 OF 2



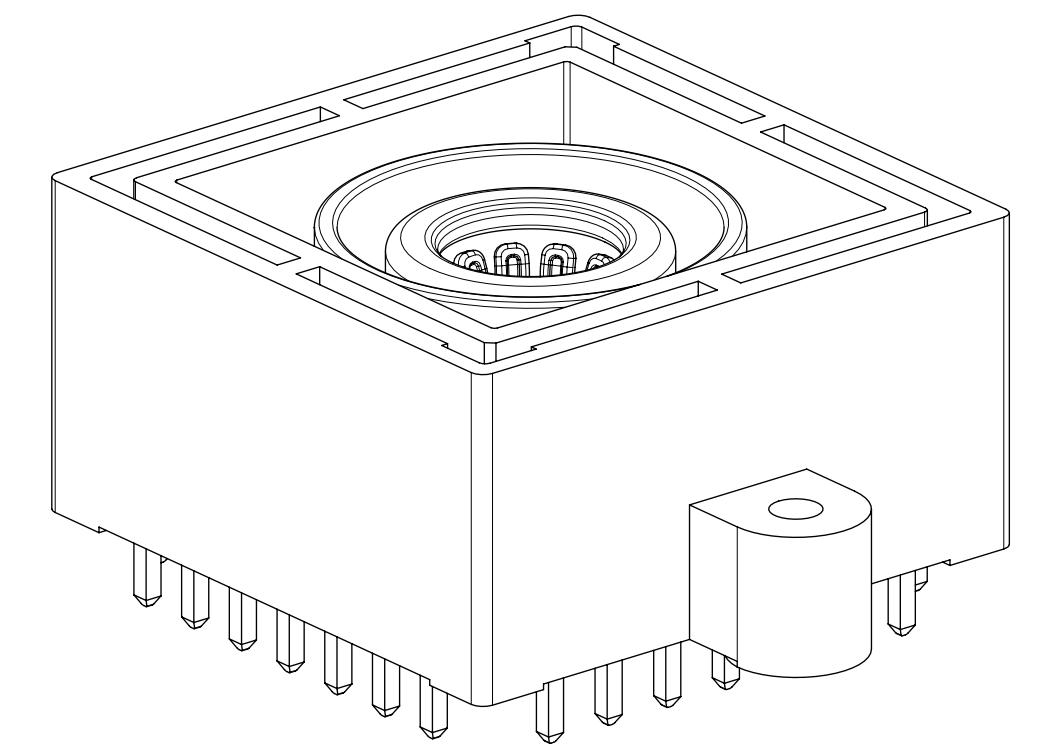
COMPLIANT-PIN ASSEMBLY  
WITH PLANE HOUSING  
(PN: 215113-0001)



COMPLIANT-PIN ASSEMBLY  
WITH SCREW BOSS HOUSING  
(PN: 215113-0005)  
(SEE NOTE 13)



SOLDER-TAIL ASSEMBLY  
WITH PLANE HOUSING  
(PN: 215113-0002)  
(SEE NOTE 13)



SOLDER-TAIL ASSEMBLY  
WITH SCREW BOSS HOUSING  
(PN: 215113-0006)  
(SEE NOTE 13)

PART NUMBER	TERMINATION STYLE	SCREW BOSS	PCB THICKNESS	TOOLING STATUS
215113-0001	COMPLIANT PIN (FOR .062" MIN PCB)	NO	1.58 MM MIN.	TOOLED
215113-0002	SOLDER TAIL (FOR .062" PCB)		1.58 MM	NOT TOOLED
215113-0003	SOLDER TAIL (FOR .093" PCB)		2.36 MM	
215113-0004	SOLDER TAIL (FOR .125" PCB)		3.18 MM	
215113-0005	COMPLIANT PIN (FOR .062" MIN PCB)	YES	1.58 MM MIN.	
215113-0006	SOLDER TAIL (FOR .062" PCB)		1.58 MM	
215113-0007	SOLDER TAIL (FOR .093" PCB)		2.36 MM	
215113-0008	SOLDER TAIL (FOR .125" PCB)		3.18 MM	

THIS DRAWING CONTAINS INFORMATION THAT IS PROPRIETARY TO MOLEX ELECTRONIC TECHNOLOGIES, LLC AND SHOULD NOT BE USED WITHOUT WRITTEN PERMISSION

DIMENSION UNITS <b>mm</b>	SCALE <b>4:1</b>	CURRENT REV DESC: UPDATED GENERIC TOLERANCE.					
GENERAL TOLERANCES (UNLESS SPECIFIED)							
ANGULAR TOL	± °		ASSEMBLY, COMPLIANT PIN & SOLDER LEG 6.00MM COEUR CENTRALITY EON, WITH FLOAT				
4 PLACES	±	EC NO: 692327	PRODUCT CUSTOMER DRAWING				
3 PLACES	±	DRWN: SCS02 2021/12/16	DOCUMENT NUMBER				
2 PLACES	± 0.38	CHK'D: JJONIAK 2022/01/20	DOC TYPE DOC PART REVISION				
1 PLACE	± 0.25	APPR: JJONIAK 2022/01/20	2151130000-SD PSD 000 A3				
0 PLACES	±	INITIAL REVISION: DRWN: MZHANG162 2020/02/04 APPR: BPISZCZOR 2021/05/12	MATERIAL NUMBER CUSTOMER SHEET NUMBER				
DRAFT WHERE APPLICABLE MUST REMAIN WITHIN DIMENSIONS		THIRD ANGLE PROJECTION	DRAWING <b>D-SIZE</b>	SERIES <b>215113</b>	SEE TABLE	GENERAL MARKET	2 OF 2