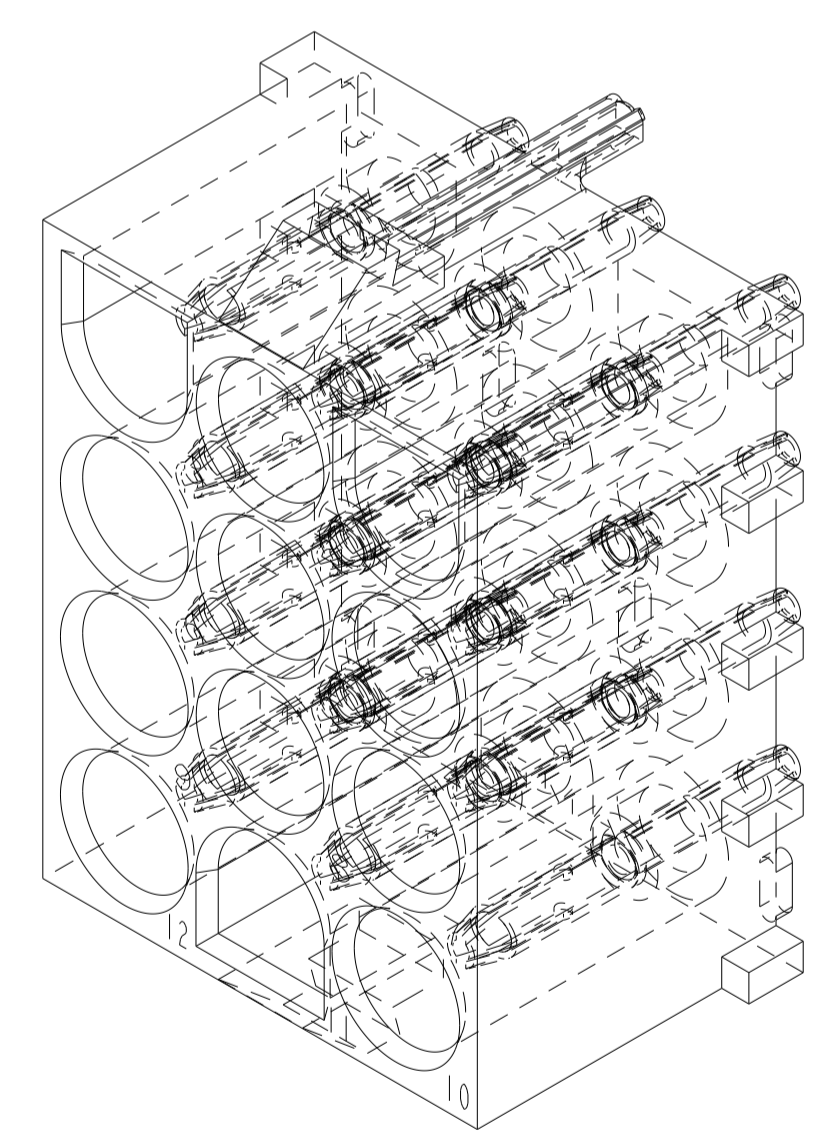
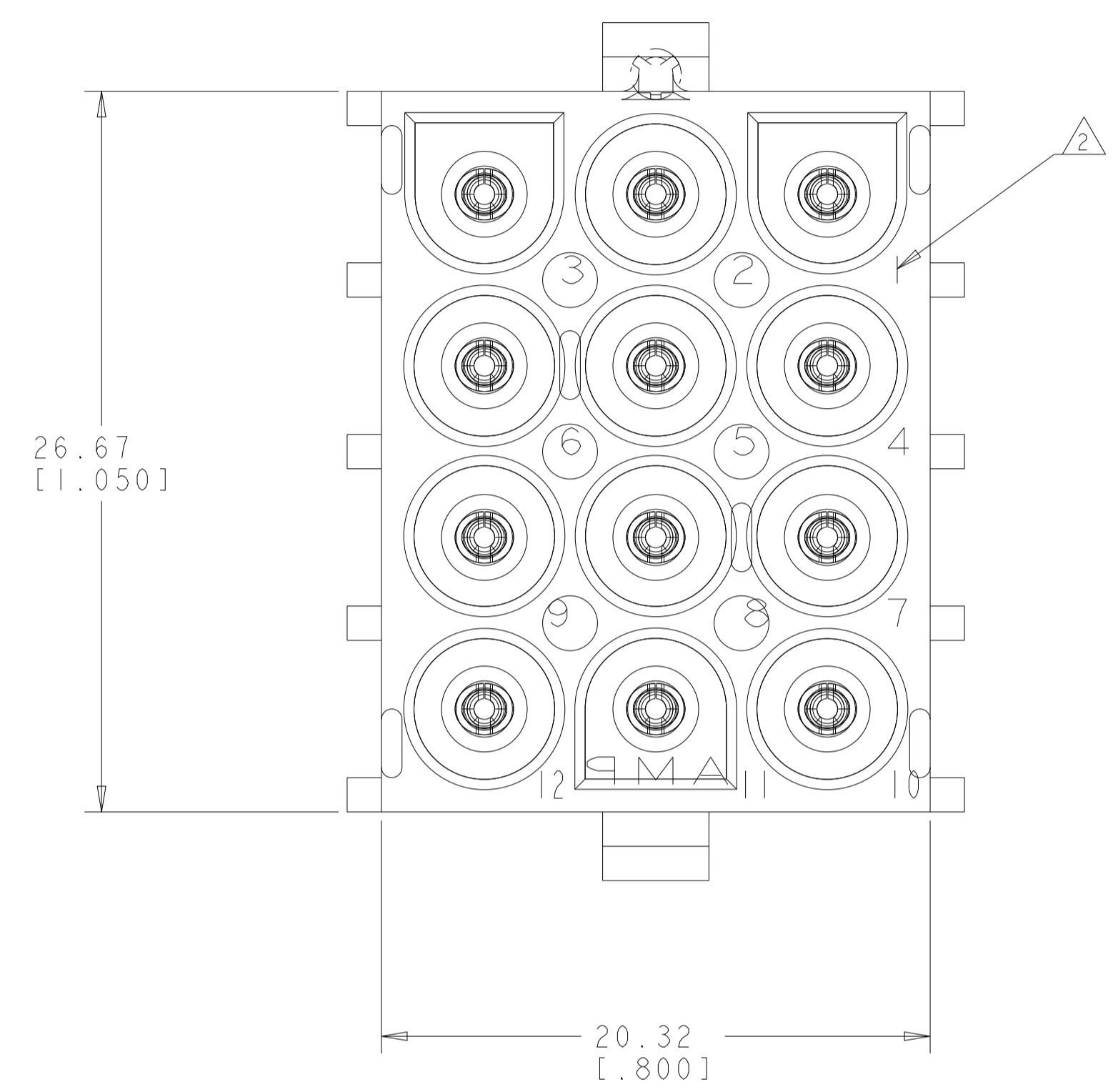
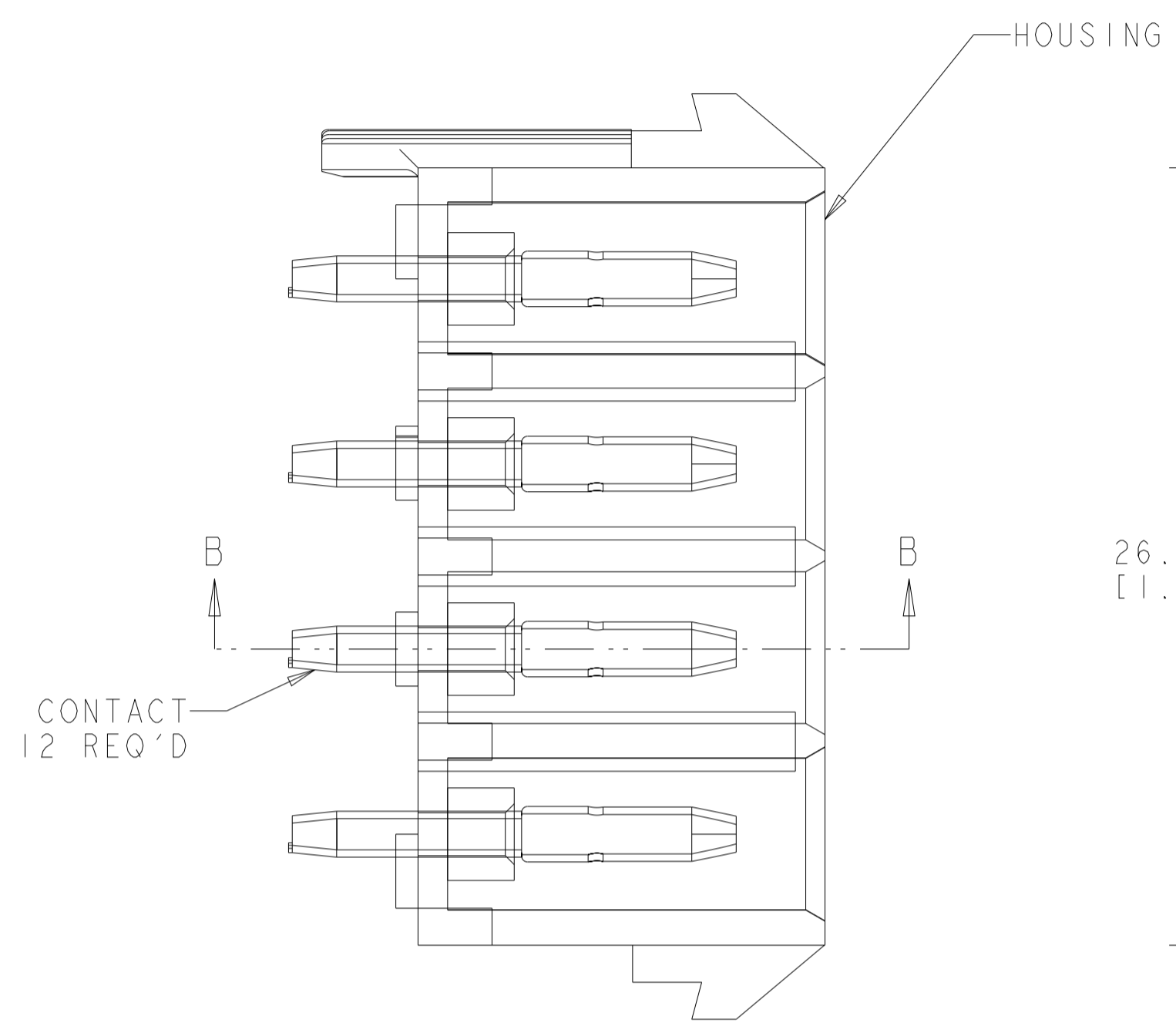
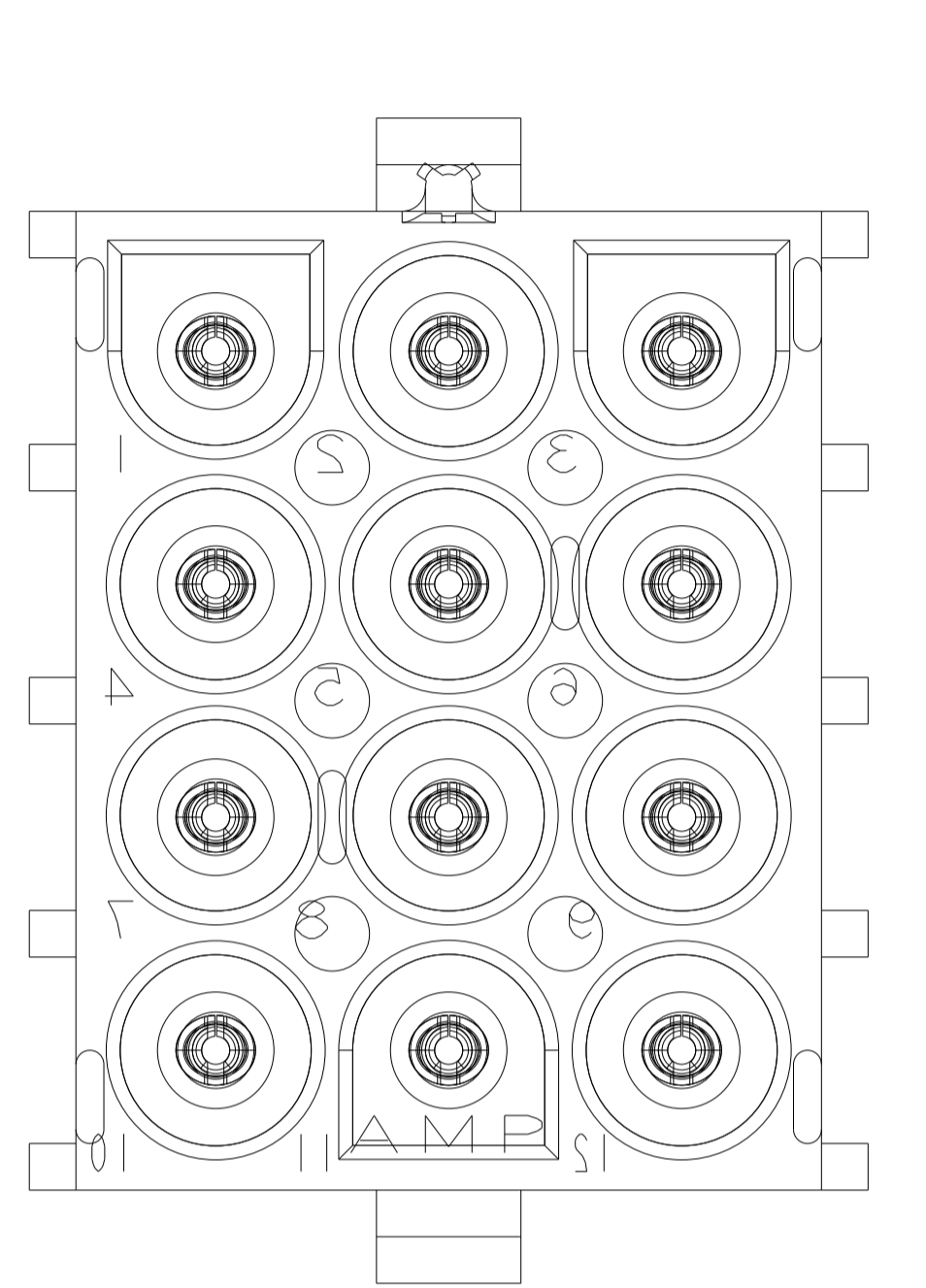
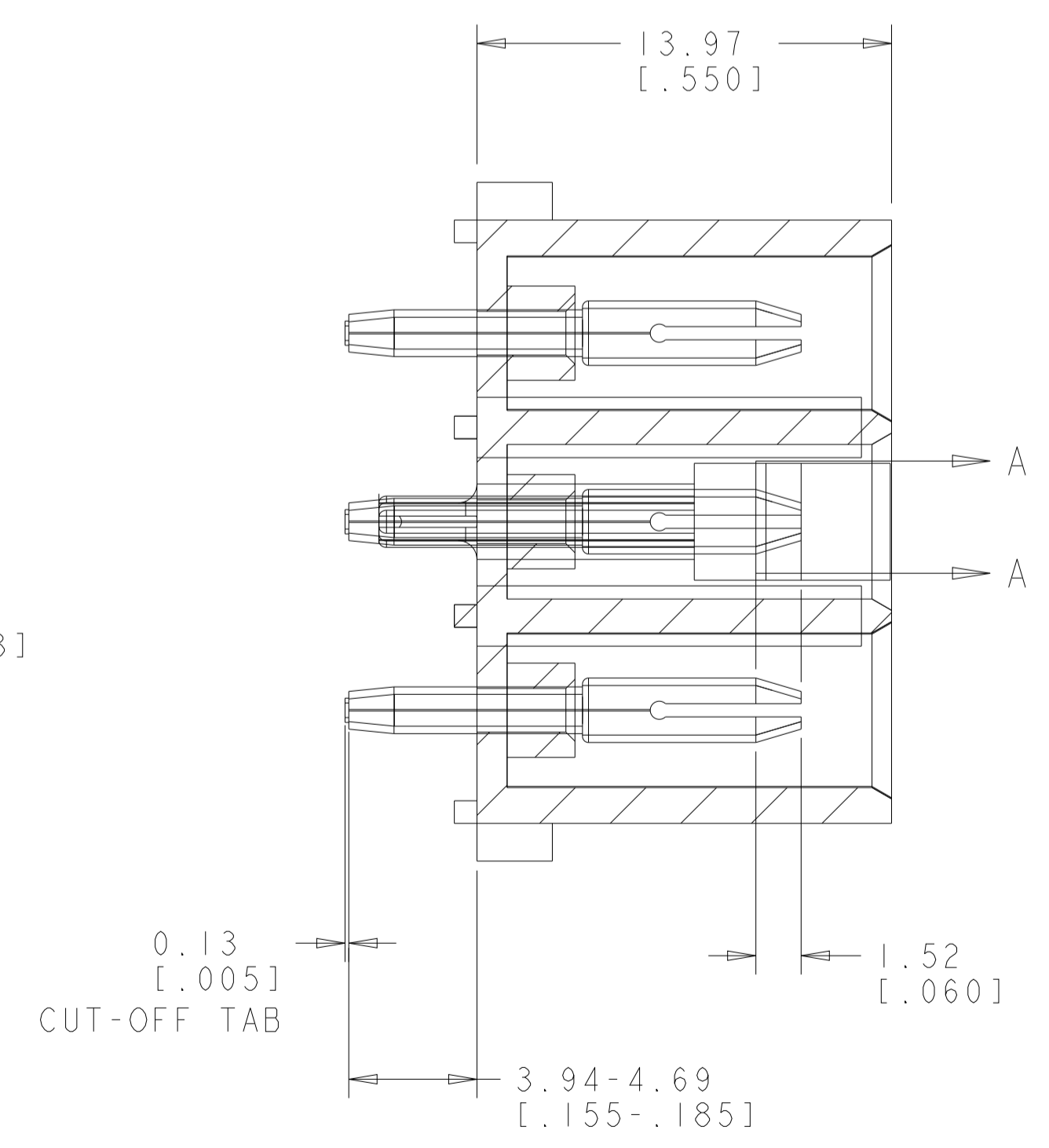
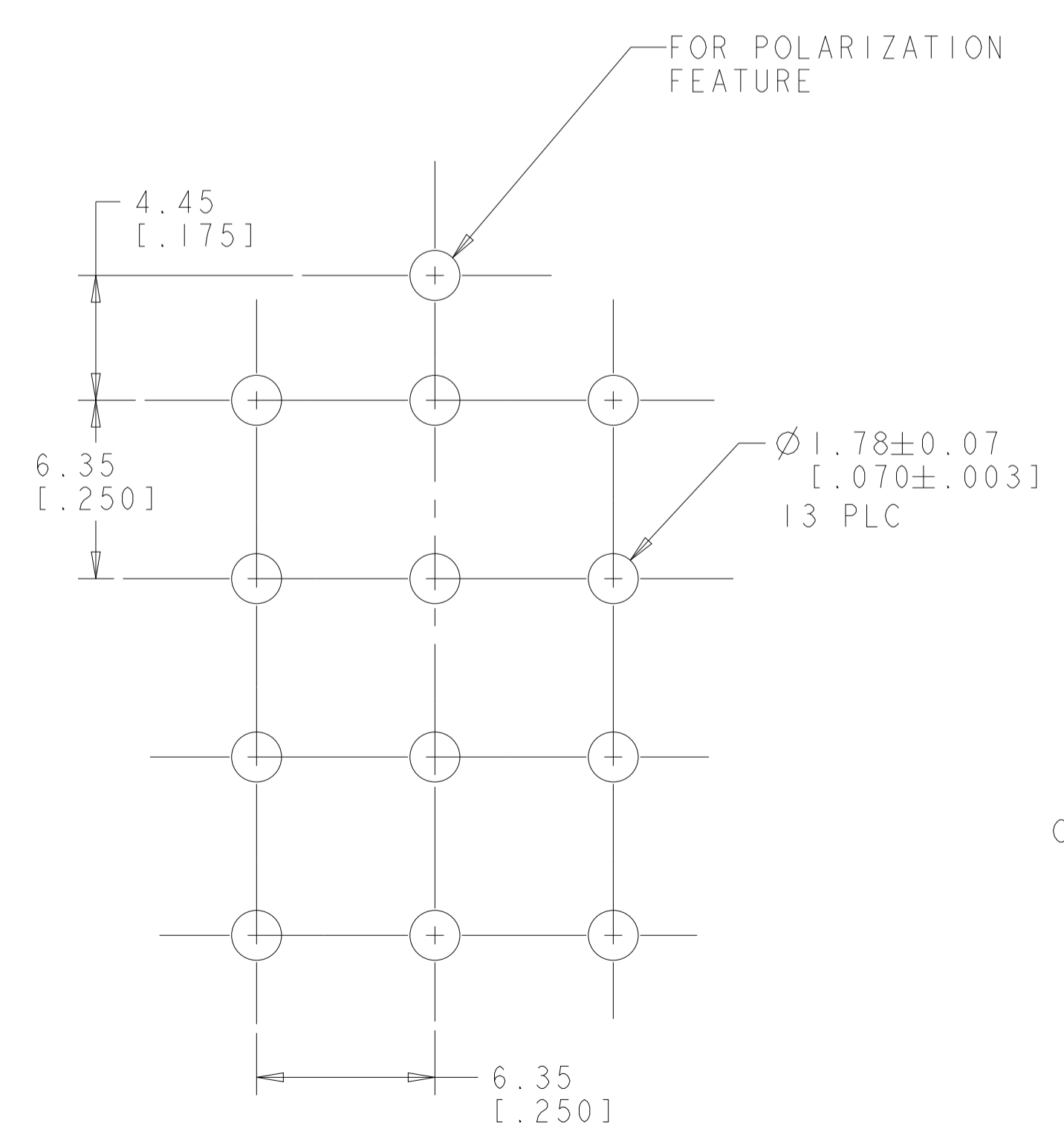


LOC	DIST	REVISIONS					
CM	00	P	LTN	DESCRIPTION	DATE	DWN	APVD
		0		REVISED PER OG38-0439-03	08-SEP-03	KW	SR
		A		REVISED PER ECR-14-013786	26-SEP-2014	AV	KD
		A1		REVISED PER ECR-14-019076	20-JAN-2015	AV	DZ
		A2		REVISED PER ECR-118133	22OCT2021	SS	VS

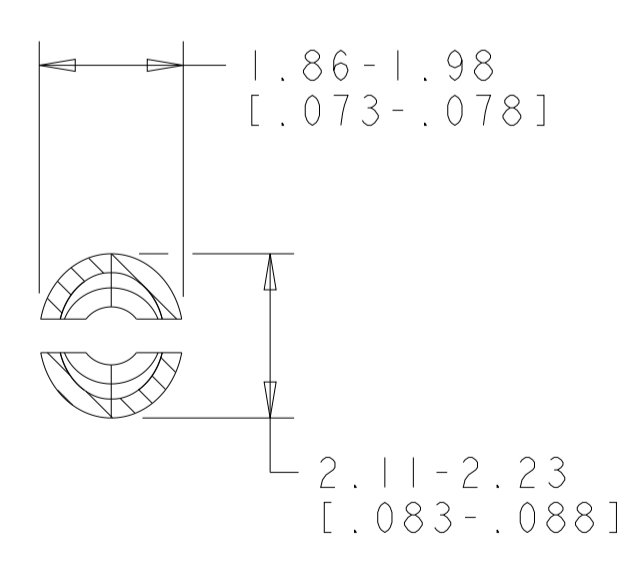
- PARTS COMPLY TO TE SOLDERABILITY SPECIFICATION 109-11-3.
- CIRCUIT IDENTIFICATION CHARACTERS ARE ADJACENT TO THE INDICATED CAVITIES, BUT LOCATION AND ORIENTATION MAY DIFFER FROM PRINT.
- DIMENSIONS IN BRACKETS ARE IN INCHES.
- DIMENSIONS SHOWN REPRESENT PRODUCT IN DRY CONDITION. ADDITIONAL 2% GROWTH DUE TO END USE LOCATION MOISTURE ABSORPTION MAY OCCUR AND SHOULD BE ACCOUNTED FOR.



3 DIMENSIONAL MODEL
SCALE 4:1



SECTION B-B



SECTION A-A
SCALE 10:1

PHOSPOR BRONZE, PRE-TIN	NYLON, UL94V-2, NATURAL	1586176-2
PHOSPOR BRONZE, PRE-TIN	NYLON, UL94V-0, WHITE	1586176-1
PIN CONTACT MATERIAL AND FINISH	HOUSING MATERIAL AND COLOR	PART NUMBER

RECOMMENDED MOUNTING HOLE PATTERN FOR 1.57 [0.062] THICK P.C. BOARD

THIS DRAWING IS A CONTROLLED DOCUMENT.		DWN K. WHITAKER 08-SEP-2003	TE Connectivity
DIMENSIONS: mm [INCHES]		CHK S. RIDGILL 08-SEP-2003	
TOLERANCES UNLESS OTHERWISE SPECIFIED:		APVD S. RIDGILL 08-SEP-2003	NAME PIN HEADER ASSEMBLY, POLARIZED, 12 CIRCUIT, W/O DRAIN HOLES, UNIVERSAL MATE-N-LOK™
MATERIAL SEE TABLE		FINISH SEE TABLE	APPLICATION SPEC
ANGLES 40°/30°		WEIGHT	SIZE CAGE CODE DRAWING NO. RESTRICTED TO
CUSTOMER DRAWING		SCALE 5:1	SHEET 1 OF 1 REV A2