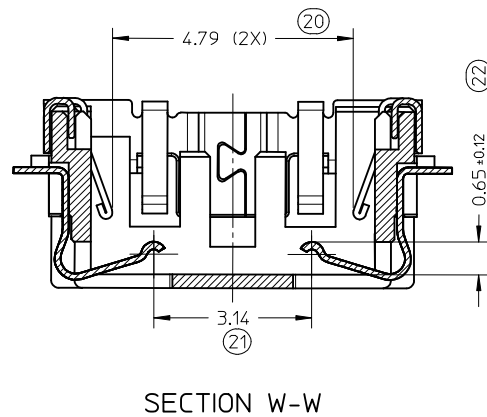
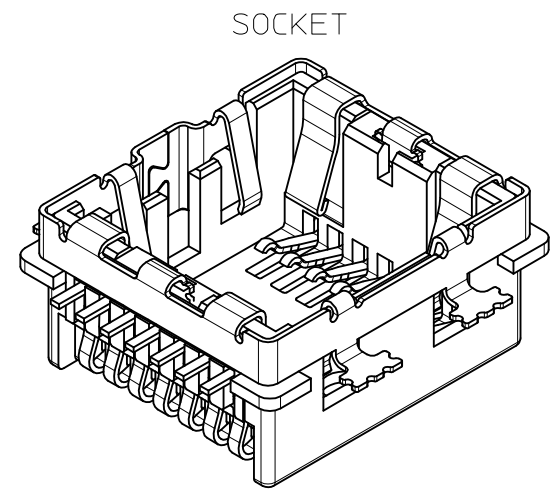
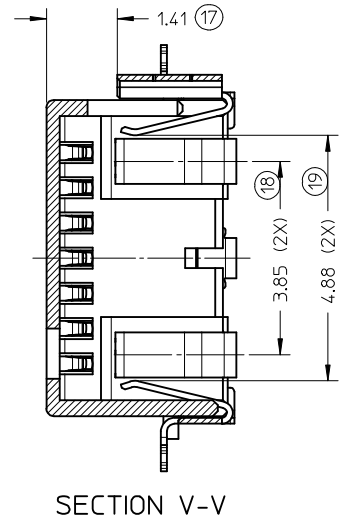
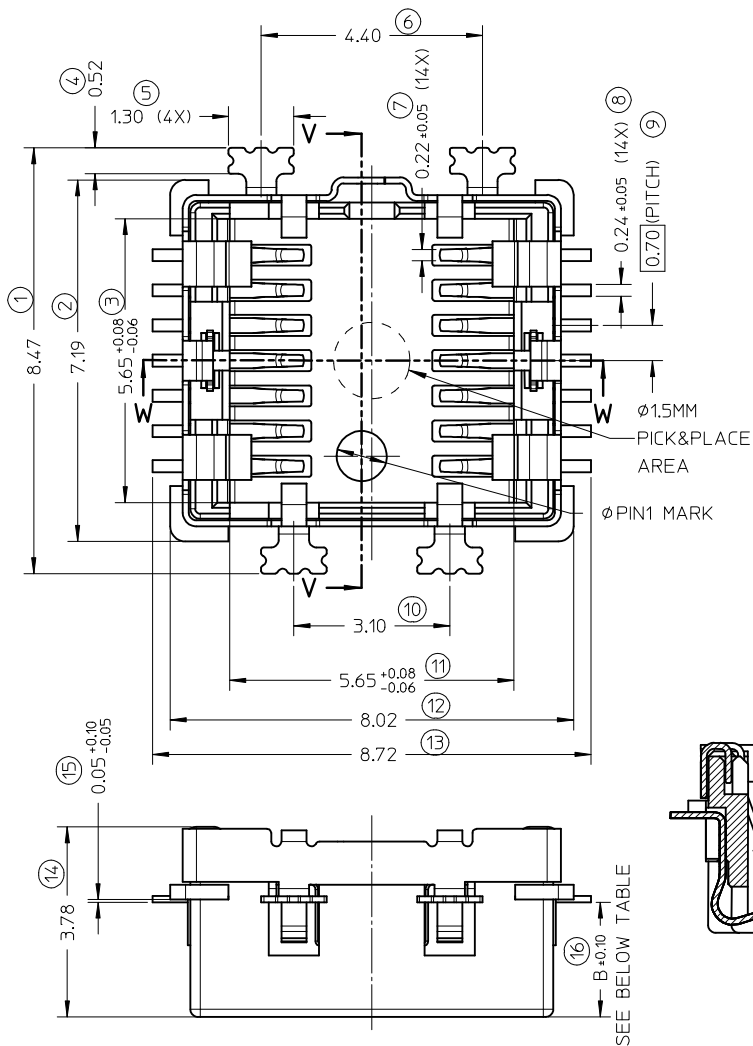


10 9 8 7 6 5 4 3 2 1

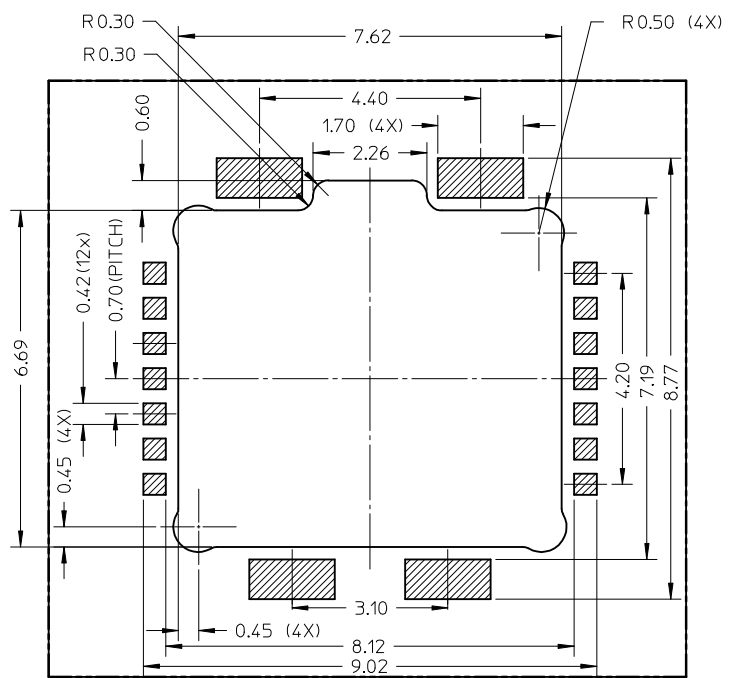


- NOTES:
- MATERIALS
HOUSING: HIGH TEMPERATURE PLASTIC, BLACK, UL94 V-0
TERMINAL: COPPER ALLOY.
SHELL: STAINLESS STEEL
 - FINISH
TERMINAL: 2-4 MICROMETER NICKEL UNDERPLATING OVERALL,
GOLD PLATING 0.3 MIN MICROMETER ON CONTACT AREA,
GOLD FLASH PLATING ON SOLDER AREA.
SHELL: 0.8 MIN MICROMETER NICKEL PLATING OVERALL
1.5 MIN MICROMETER MATTE TIN PLATING OVERALL.
 - COPLANARITY 0.08MM FOR ALL SOLDER TAILS. (23)
 - PRODUCT SPECIFICATION: PS-105200-001
 - PACKAGING: TAPE&REEL

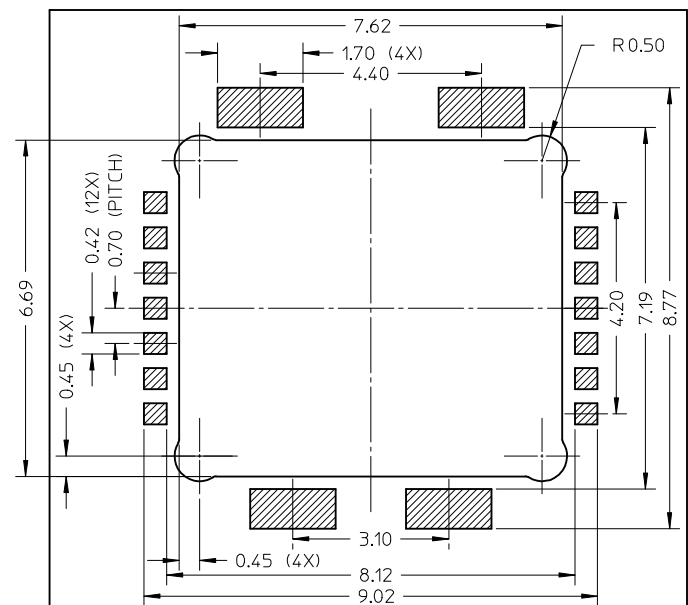
1052000005	1.40		
1052000004	1.60	1052000009	0.60
1052000003	1.80	1052000008	0.75
1052000002	2.00	1052000007	1.00
1052000001	2.28	1052000006	1.20
PRODUCT NO.	DIM B	PRODUCT NO.	DIM B

RELEASED EC NO: SH2013-0196 DRWN:WJHUO 2012/12/18 CHKD: APPR:AYIN 2013/01/08 REV A	QUALITY SYMBOLS	GENERAL TOLERANCES (UNLESS SPECIFIED)	DIMENSION STYLE	SCALE	DESIGN UNITS	THIRD ANGLE PROJECTION
	$\nabla_A = 0$ $\nabla_C = 0$ $\nabla_F = 0$	mm INCH 4 PLACES ± --- ± --- 3 PLACES ± --- ± --- 2 PLACES ± 0.15 ± --- 1 PLACE ± 0.20 ± --- 0 PLACE ± --- ± ---	MM ONLY	10:1	METRIC	
		ANGULAR ± 3 °	DRAWN BY WJHUO	DATE 2012/12/18	TITLE	
		DRAFT WHERE APPLICABLE MUST REMAIN WITHIN DIMENSIONS	CHECKED BY	DATE	SMA55 CAMERA SOCKET BOTTOM CONTACT	
		APPROVED BY AYIN	DATE 2013/01/08	MATERIAL NO.		DOCUMENT NO.
				SEE TABLE		SD-105200-001
				SIZE A3		SHEET NO. 1 OF 2
			THIS DRAWING CONTAINS INFORMATION THAT IS PROPRIETARY TO MOLEX INCORPORATED AND SHOULD NOT BE USED WITHOUT WRITTEN PERMISSION			

9 8 7 6 5 4 3 2 1



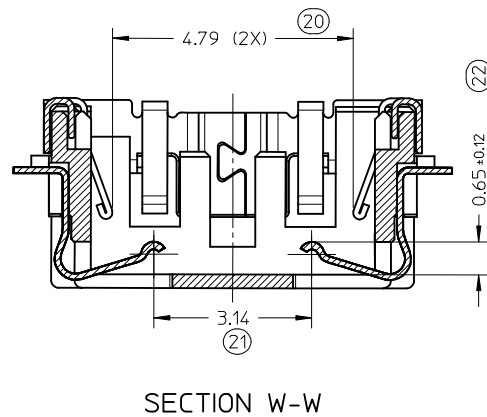
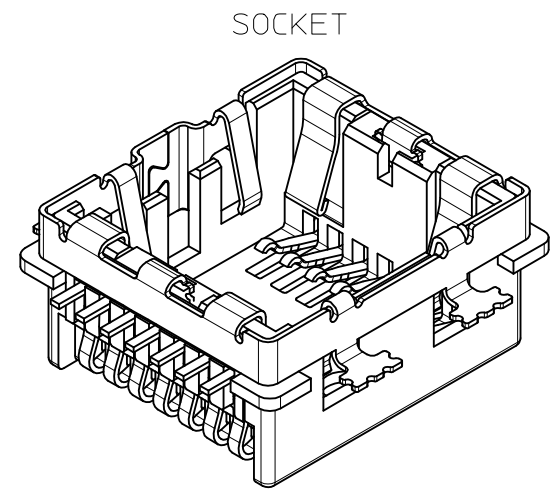
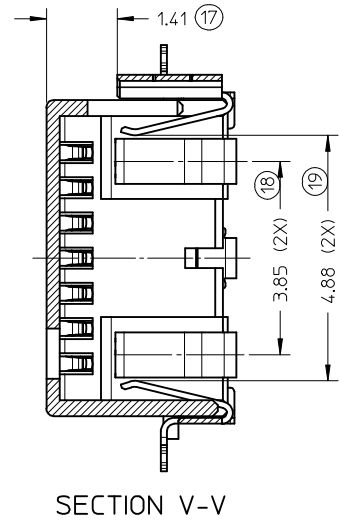
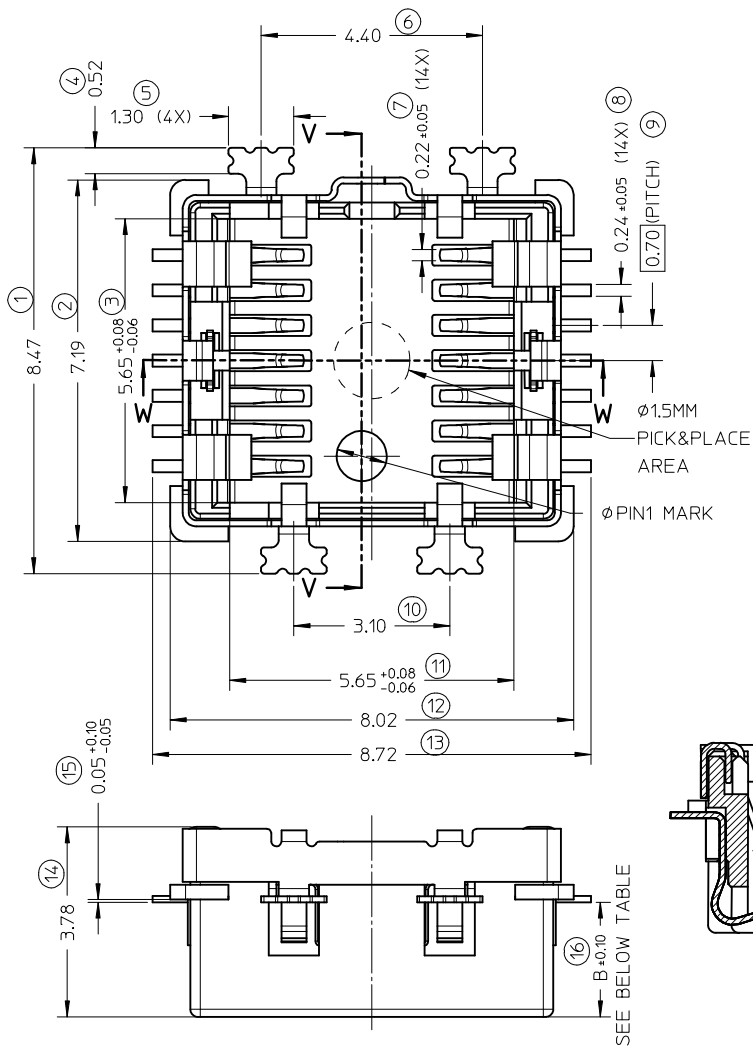
A TYPE PCB LAYOUT FOR PRODUCT NO.
 1052000001,1052000002,1052000003,
 1052000004,1052000005
 TOLERANCE:0.05mm



B TYPE PCB LAYOUT FOR PRODUCT NO.
 1052000006,1052000007,
 1052000008,1052000009
 TOLERANCE:0.05mm

RELEASED EC NO: SH2013-0196 DRW: WJHUO 2012/12/18 CHKD: APPR: AYIN 2013/01/08	REV DESCRIPTION	QUALITY SYMBOLS	GENERAL TOLERANCES (UNLESS SPECIFIED)		DIMENSION STYLE	SCALE	DESIGN UNITS	THIRD ANGLE PROJECTION	
		$\nabla = 0$ $\nabla = 0$ $\nabla = 0$	mm	INCH	MM ONLY	10:1	METRIC		
		4 PLACES ± --- ± --- 3 PLACES ± --- ± --- 2 PLACES ± 0.15 ± --- 1 PLACE ± 0.20 ± --- 0 PLACE ± --- ± ---	DRAWN BY: WJHUO DATE: 2012/12/18		TITLE: SMIA55 CAMERA SOCKET BOTTOM CONTACT				
		DRAFT WHERE APPLICABLE MUST REMAIN WITHIN DIMENSIONS		CHECKED BY: DATE:		APPROVED BY: AYIN DATE: 2013/01/08			
MATERIAL NO. 9999999999		DOCUMENT NO. SD-105200-001		SHEET NO. 2 OF 2		THIS DRAWING CONTAINS INFORMATION THAT IS PROPRIETARY TO MOLEX INCORPORATED AND SHOULD NOT BE USED WITHOUT WRITTEN PERMISSION			

10 9 8 7 6 5 4 3 2 1

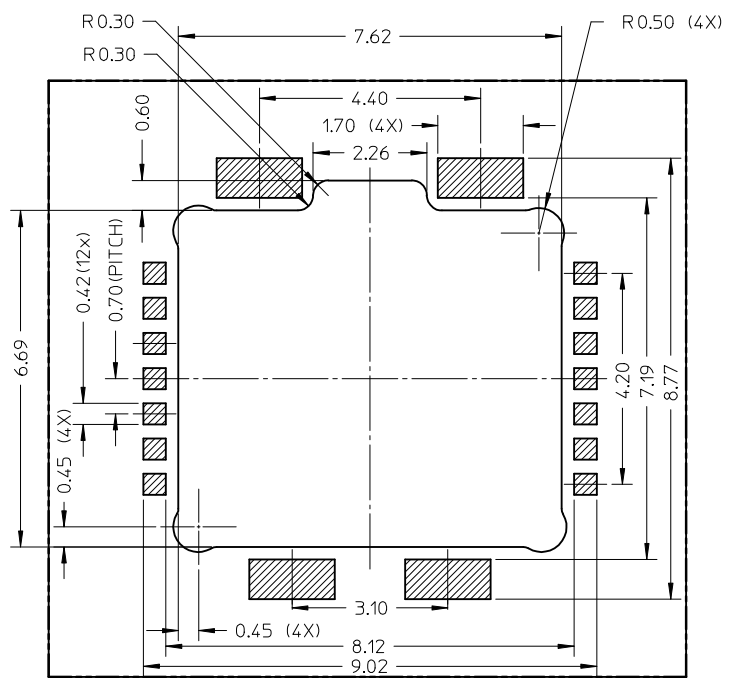


- NOTES:
- MATERIALS
HOUSING: HIGH TEMPERATURE PLASTIC, BLACK, UL94 V-0
TERMINAL: COPPER ALLOY.
SHELL: STAINLESS STEEL
 - FINISH
TERMINAL: 2-4 MICROMETER NICKEL UNDERPLATING OVERALL,
GOLD PLATING 0.3 MIN MICROMETER ON CONTACT AREA,
GOLD FLASH PLATING ON SOLDER AREA.
SHELL: 0.8 MIN MIROMETER NICKEL PLATING OVERALL
1.5 MIN MICROMETER MATTE TIN PLATING OVERALL.
 - COPLANARITY 0.08MM FOR ALL SOLDER TAILS. (23)
 - PRODUCT SPECIFICATION: PS-105200-001
 - PACKAGING: TAPE&REEL

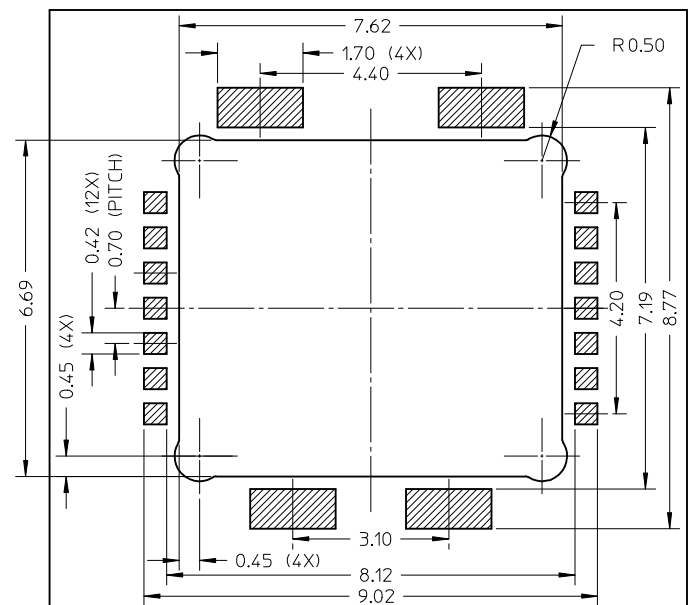
1052000005	1.40		
1052000004	1.60	1052000009	0.60
1052000003	1.80	1052000008	0.75
1052000002	2.00	1052000007	1.00
1052000001	2.28	1052000006	1.20
PRODUCT NO.	DIM B	PRODUCT NO.	DIM B

RELEASED EC NO: SH2013-0196 DRWN:WJHUO 2012/12/18 CHKD: APPR:AYIN 2013/01/08 REV A	QUALITY SYMBOLS	GENERAL TOLERANCES (UNLESS SPECIFIED)	DIMENSION STYLE	SCALE	DESIGN UNITS	THIRD ANGLE PROJECTION	
	$F_A=0$ $F_C=0$ $F_P=0$	mm INCH 4 PLACES ± --- ± --- 3 PLACES ± --- ± --- 2 PLACES ± 0.15 ± --- 1 PLACE ± 0.20 ± --- 0 PLACE ± --- ± ---	MM ONLY	10:1	METRIC	DRAWN BY: WJHUO DATE: 2012/12/18 CHECKED BY: DATE: APPROVED BY: AYIN DATE: 2013/01/08 MATERIAL NO.	TITLE: SIA55 CAMERA SOCKET BOTTOM CONTACT DOCUMENT NO. SD-105200-001 SHEET NO. 1 OF 2
		ANGULAR ± 3 °	SEE TABLE	THIS DRAWING CONTAINS INFORMATION THAT IS PROPRIETARY TO MOLEX INCORPORATED AND SHOULD NOT BE USED WITHOUT WRITTEN PERMISSION			
		DRAFT WHERE APPLICABLE MUST REMAIN WITHIN DIMENSIONS					

9 8 7 6 5 4 3 2 1



A TYPE PCB LAYOUT FOR PRODUCT NO.
1052000001,1052000002,1052000003,
1052000004,1052000005
TOLERANCE:0.05mm



B TYPE PCB LAYOUT FOR PRODUCT NO.
1052000006,1052000007,
1052000008,1052000009
TOLERANCE:0.05mm

RELEASED EC NO: SH2013-0196 DRW: WJHUO 2012/12/18 CHKD: APPR: AYIN 2013/01/08	REV DESCRIPTION	QUALITY SYMBOLS	GENERAL TOLERANCES (UNLESS SPECIFIED)		DIMENSION STYLE	SCALE	DESIGN UNITS	THIRD ANGLE PROJECTION		
		$\nabla = 0$ $\nabla = 0$ $\nabla = 0$	mm INCH 4 PLACES ± --- ± --- 3 PLACES ± --- ± --- 2 PLACES ± 0.15 ± --- 1 PLACE ± 0.20 ± --- 0 PLACE ± --- ± ---	MM ONLY	10:1	METRIC	DRAWN BY: WJHUO DATE: 2012/12/18 CHECKED BY: DATE: APPROVED BY: DATE: 2013/01/08 MATERIAL NO. 9999999999	TITLE	SD-105200-001	SHEET NO. 2 OF 2
		ANGULAR ± 3°		DRAFT WHERE APPLICABLE MUST REMAIN WITHIN DIMENSIONS		THIS DRAWING CONTAINS INFORMATION THAT IS PROPRIETARY TO MOLEX INCORPORATED AND SHOULD NOT BE USED WITHOUT WRITTEN PERMISSION		molex SD-105200-001		