

10 9 8 7 6 5 4 3 2 1

F

E

D

C

B

A

F

E

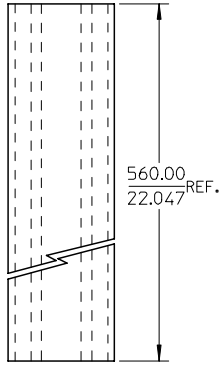
D

C

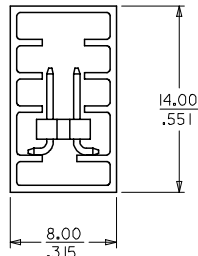
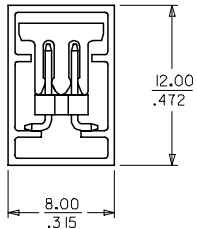
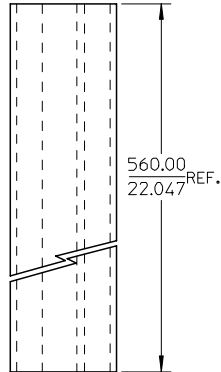
B

A

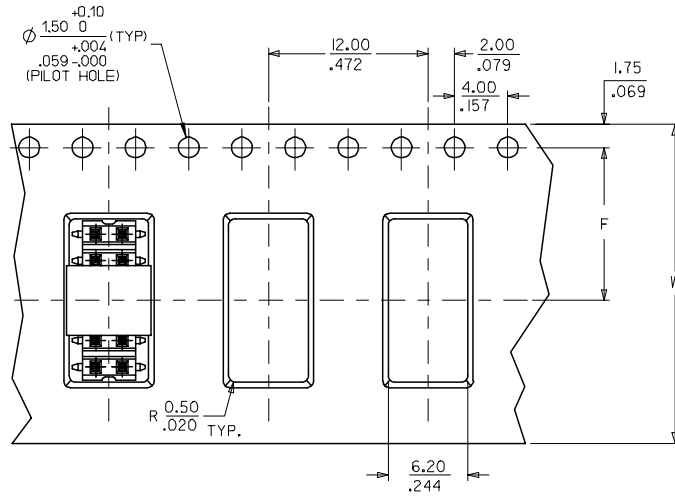
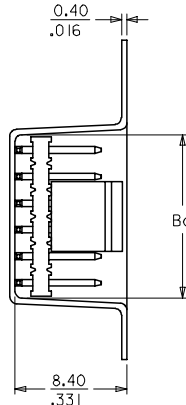
WITH CAP
TUBE PACKAGING



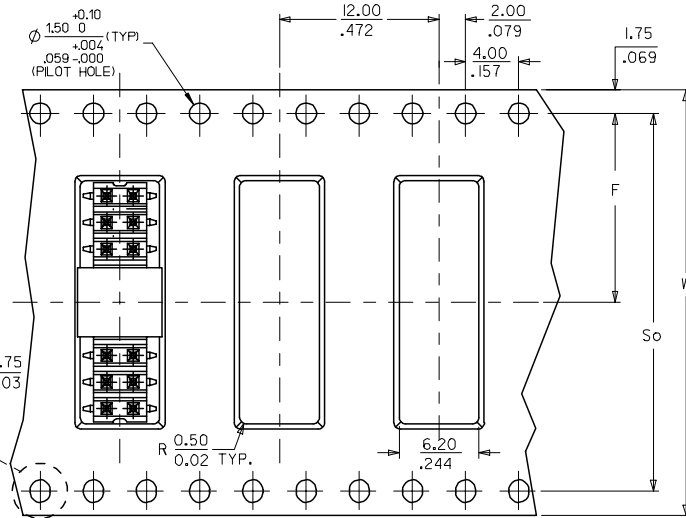
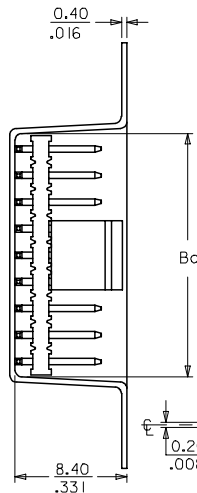
WITHOUT CAP
TUBE PACKAGING



EMBOSSED CARRIER TAPE TYPE "A"



EMBOSSED CARRIER TAPE TYPE "B"



| UPDATE REVISION | DESCRIPTION |
|-------------------|-------------|
| EC NO: S2005-0714 | 2005/10/19 |
| DRWN:KSEE | 2005/10/19 |
| CHKD:BLHOW | 2005/10/19 |
| APPR:PTLIM | 2005/10/28 |
| A7 | REV |

| | |
|-----------------|-----|
| QUALITY SYMBOLS | ▽=0 |
| | ∇=0 |

| GENERAL TOLERANCES (UNLESS SPECIFIED) | |
|--|-------|
| mm | INCH |
| 4 PLACES ±--- | ±--- |
| 3 PLACES ±--- | ±.008 |
| 2 PLACES ±0.2 | ±--- |
| 1 PLACE ±--- | ±--- |
| ANGULAR ±---° | |
| DRAFT WHERE APPLICABLE MUST REMAIN WITHIN DIMENSIONS | |

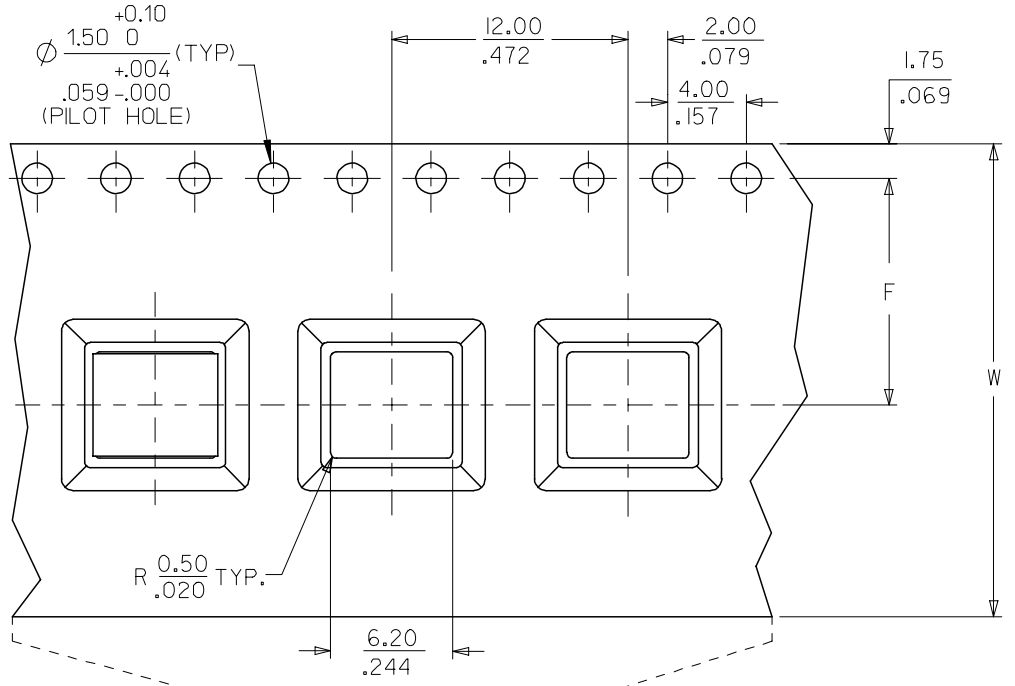
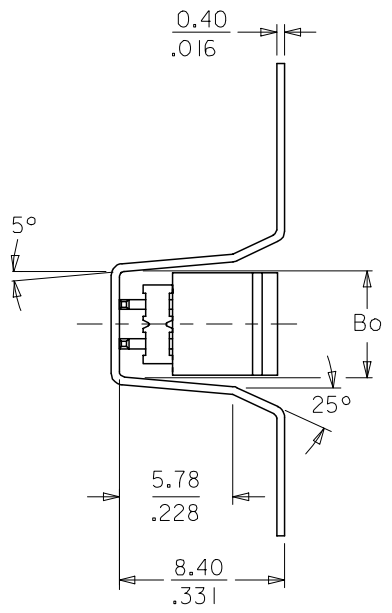
| DIMENSION STYLE | |
|-----------------|---------------|
| MM/IN | |
| DRAWN BY | DATE |
| JWAN | 1995/04/24 |
| CHECKED BY | DATE |
| SKTOH | 1995/04/26 |
| APPROVED BY | DATE |
| ROY | 1995/04/27 |
| MATERIAL NO. | DOCUMENT NO. |
| SEE TABLE | SD-87267-***4 |
| SIZE | A3 |

| | | |
|---|--------------|------------------------|
| SCALE | DESIGN UNITS | THIRD ANGLE PROJECTION |
| NTS | METRIC | |
| SALES DRAWING | | |
| MGRID, 2MM DUAL ROW HDR. SMT | | |
| MOLEX INCORPORATED | | |
| SHEET NO. | | 3 OF 4 |
| THIS DRAWING CONTAINS INFORMATION THAT IS PROPRIETARY TO MOLEX INCORPORATED AND SHOULD NOT BE USED WITHOUT WRITTEN PERMISSION | | |

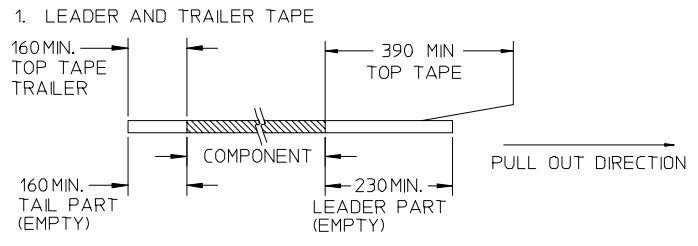
9 8 7 6 5 4 3 2 1

EMBOSSED CARRIER TAPE TYPE "C"

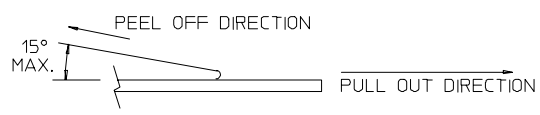
THIS TYPE OF CARRIER IS F R CKTOSIZE 8 AND BELOW.



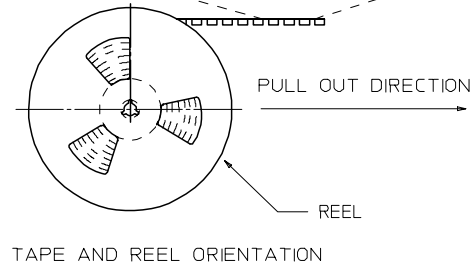
NOTES:



2. PEELING OFF FORCE OF THE TOP TAPE: 20-80gf.
(PEELING DIRECTION AS SHOWN IN FOLLOWING FIGURE)



- 3. PACKAGING STANDARD IS AS PER EIA-481.
- 4. TAPE & REEL QUANTITY = SEE TABLE



| | | | | | | | | | | | | |
|---|--|-------------------------------|---------------------------------------|---|--------------------------|---|---|------------------------|------------------------|--|--|--|
| ADD LEADER & TRAILER EC NO: S2005-0714 DRWN:KSEE CHKD:BLW APPR:PTL/IM | 2005/10/19 2005/10/19 2005/11/05 | QUALITY SYMBOLS ▽=0 ▽=0 | GENERAL TOLERANCES (UNLESS SPECIFIED) | | DIMENSION STYLE MM/IN | | SCALE NTS | DESIGN UNITS METRIC | THIRD ANGLE PROJECTION | | | |
| | | | mm | INCH | DRAWN BY SEE | DATE 1995/09/12 | TITLE SALES DRAWING MGRID, 2MM DUAL ROW HDR. SMT | | | | | |
| | | | 4 PLACES ±--- | ±--- | CHECKED BY GMS | DATE 1995/11/03 | | | | | | |
| | | | 3 PLACES ±--- | ±.008 | APPROVED BY ROY | DATE 1995/11/03 | MOLEX INCORPORATED | | | | | |
| | | 2 PLACES ±0.2 | ±--- | MATERIAL NO. SEE TABLE | | DOCUMENT NO. SD-87267-***4 | | SHEET NO. 4 OF 4 | | | | |
| | | 1 PLACE ±--- | ±--- | DRAFT WHERE APPLICABLE MUST REMAIN WITHIN DIMENSIONS | | THIS DRAWING CONTAINS INFORMATION THAT IS PROPRIETARY TO MOLEX INCORPORATED AND SHOULD NOT BE USED WITHOUT WRITTEN PERMISSION | | | | | | |
| | | ANGULAR ±--- | ° | SIZE A3 | | | | | | | | |