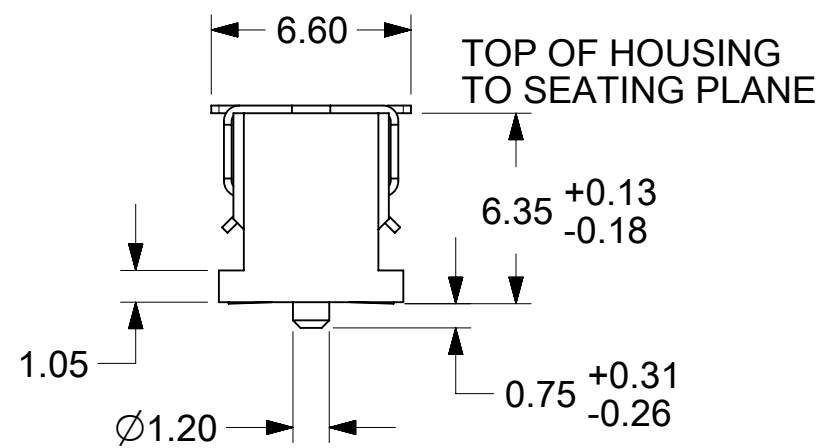
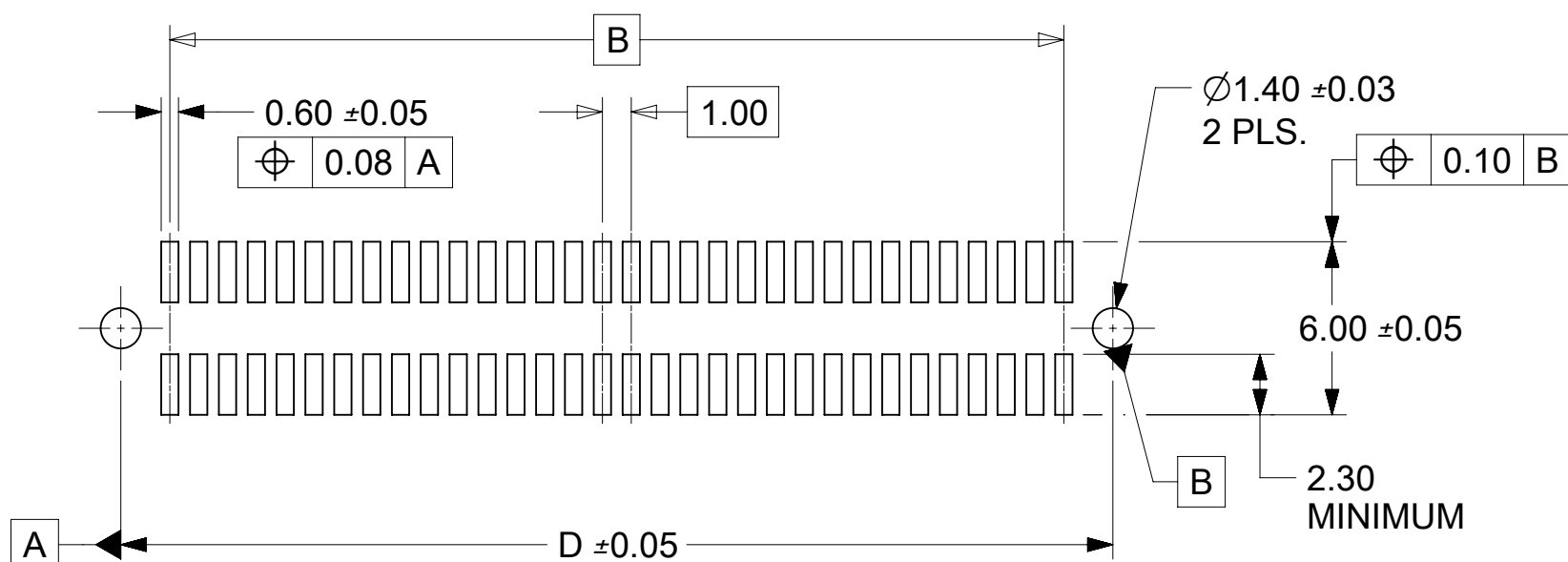
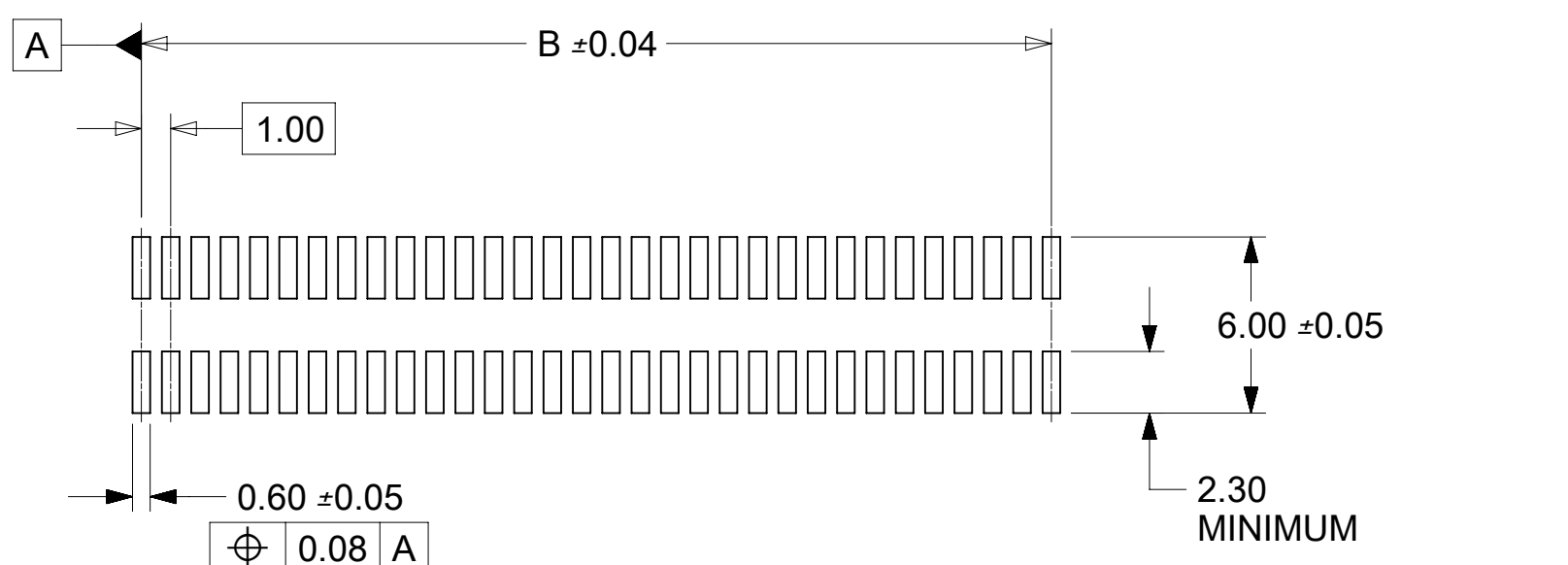


* THE PRIMARY SHIPPING CARTON WILL BE LABELED "COMPLIANT TO RoHS DIRECTIVE 2002/95/EC AND ELV ANNEX II OF DIRECTIVE 2000/53/EC" CARTONS WITHOUT THIS LABEL MAY CONTAIN PRODUCT WITH LEAD.



| CIRCUIT SIZE | DIM.A | DIM.B | DIM.C | DIM.D |
|--------------|-------|-------|-------|-------|
| 20 | 13.90 | 9.00 | 12.58 | 12.40 |
| 30 | 18.90 | 14.00 | 17.58 | 17.40 |
| 40 | 23.90 | 19.00 | 22.58 | 22.40 |
| 50 | 28.90 | 24.00 | 27.58 | 27.40 |
| 60 | 33.90 | 29.00 | 32.58 | 32.40 |
| 64 | 35.90 | 31.00 | 34.58 | 34.40 |
| 70 | 38.90 | 34.00 | 37.58 | 37.40 |
| 80 | 43.90 | 39.00 | 42.58 | 42.40 |
| 84 | 45.90 | 41.00 | 44.58 | 44.40 |
| 90 | 48.90 | 44.00 | 47.58 | 47.40 |
| 100 | 53.90 | 49.00 | 52.58 | 52.40 |
| 110 | 58.90 | 54.00 | 57.58 | 57.40 |
| 120 | 63.90 | 59.00 | 62.58 | 62.40 |



RECOMMENDED PCB LAYOUT
(WITH AND WITHOUT PEGS)
RECOMMENDED PCB THICKNESS: 1.00±0.10 MINIMUM

NOTES

- 64-CIRCUIT PLUG ASSEMBLY WITH PEGS AND VACUUM CAP SHOWN FOR ILLUSTRATION PURPOSES ONLY.
- HOUSING MATERIAL: G.F. THERMOPLASTIC; UL RATING: 94V-0; COLOR: WHITE
TERMINAL MATERIAL: PHOSPHOR BRONZE; 0.205 THICK.
VACUUM CAP MATERIAL: STAINLESS STEEL; 0.255 THICK.
- COPLANARITY OF SMT TAILS: 0.10 MAX.
- PACKAGING SPECIFICATIONS: REFER TO TABLE ON SHEET 2.
- PEGS ARE OPTIONAL. REFER TO TABLE ON SHEET 2.
- VACUUM PICK & PLACE CAP OPTIONAL. REFER TO TABLE ON SHEET 2.
- THIS PART CONFORMS TO EIA STANDARD 700 AAB FOR 1.0mm TWO-PART CONNECTORS FOR USE WITH PARALLEL PRINTED BOARDS.
- THIS PART, WHEN MATED WITH MOLEX 1.0mm RECEPTACLE CONNECTOR SERIES 71439, CONFORMS TO MOLEX PRODUCT SPECIFICATION PS-71436-9999. REFER TO TABLE ON SHEET 2 FOR MATED STACK HEIGHTS FOR THIS PLUG.
- DATE CODE STAMP WEEK, YEAR LOCATED APPROXIMATELY WHERE SHOWN.

PLATING PER ES-88

30 GOLD - 0.76 MICROMETER MINIMUM GOLD IN CONTACT AREA AND
1.91 MICROMETER MINIMUM MATTE TIN IN PC TAIL AREA
OVER 1.27 MICROMETER MINIMUM PLATING OVERALL.

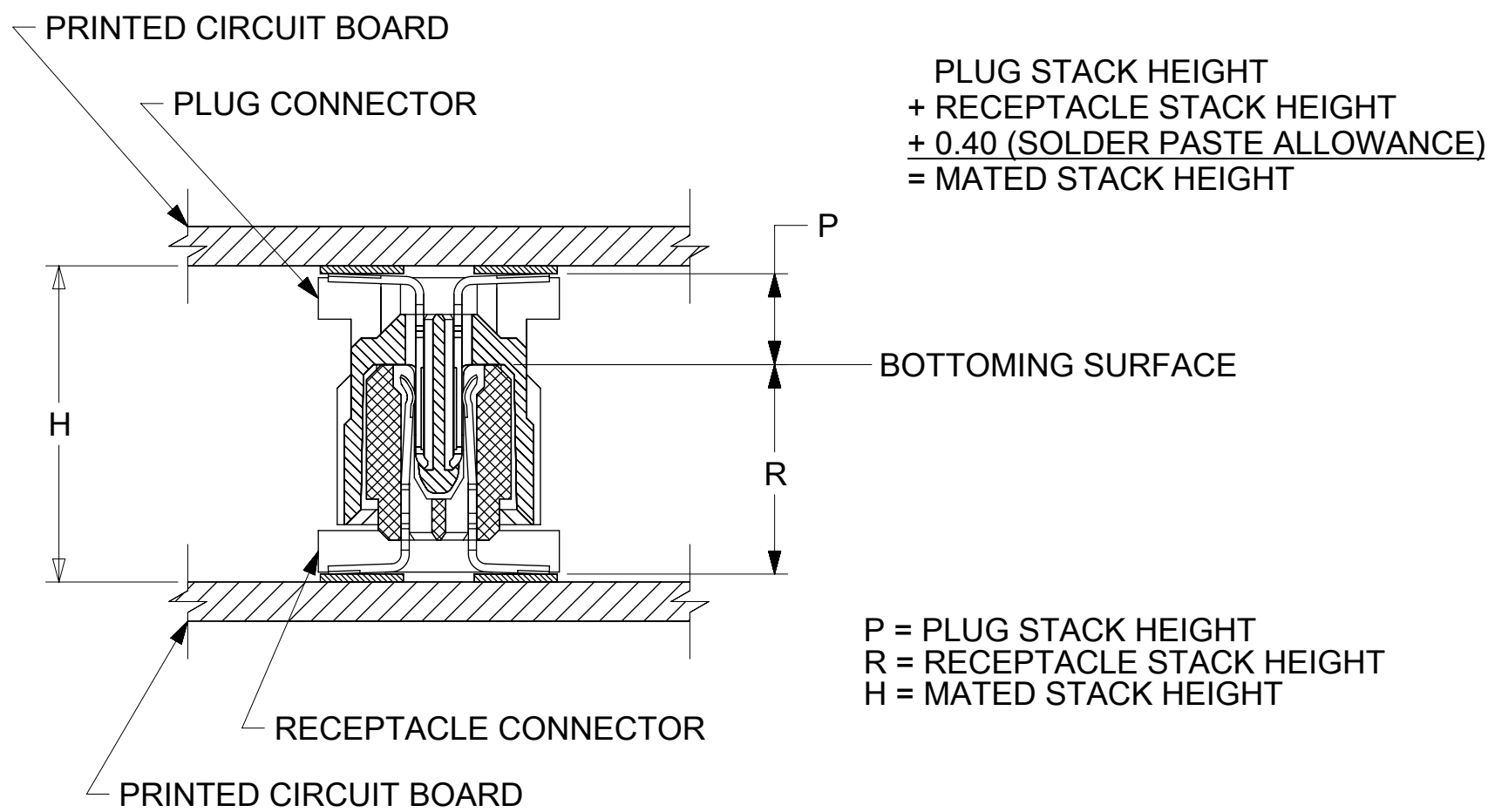
| | | | | | | | | | |
|---|--------|---------------------------------|--|------------|--|----------------------------------|--|----------------------------------|--|
| THIS DRAWING CONTAINS INFORMATION THAT IS PROPRIETARY TO MOLEX ELECTRONIC TECHNOLOGIES, LLC AND SHOULD NOT BE USED WITHOUT WRITTEN PERMISSION | | | | | | | | | |
| DIMENSION UNITS | SCALE | CURRENT REV DESC: REDRAWN IN NX | | | | | | | |
| mm | 4:1 | | | | | | | | |
| GENERAL TOLERANCES (UNLESS SPECIFIED) | | | | | | | | | |
| ANGULAR TOL | ± 0.5° | EC NO: 610884 | | 2019/01/23 | | SALES ASSY, 1.0MM BOARD TO BOARD | | PLUG CONNECTOR 2.30 STACK HEIGHT | |
| 4 PLACES | ± | DRWN: TTAO03 | | 2019/02/01 | | PRODUCT CUSTOMER DRAWING | | | |
| 3 PLACES | ± | CHK'D: JKACHLIC | | 2019/02/01 | | DOCUMENT NUMBER | | DOC TYPE DOC PART REVISION | |
| 2 PLACES | ± 0.13 | APPR: JKACHLIC | | 2019/02/01 | | 714360000 | | PSD 000 A1 | |
| 1 PLACE | ± 0.25 | INITIAL REVISION: | | 1995/04/03 | | MATERIAL NUMBER | | CUSTOMER | |
| 0 PLACES | ± | DRWN: REED | | 1995/04/03 | | SEE TABLE | | GENERAL MARKET | |
| DRAFT WHERE APPLICABLE MUST REMAIN WITHIN DIMENSIONS | | THIRD ANGLE PROJECTION | | DRAWING | | SERIES | | SHEET NUMBER | |
| | | | | C-SIZE | | 71436 | | 1 OF 2 | |

STANDARD

| CIRCUIT SIZE | PLUG ASSY. PART NUMBER | PEGS | PICK & PLACE CAP | PACKAGING SPEC. NUMBER | PACKAGING TYPE |
|--------------|------------------------|------|------------------|------------------------|----------------|
| 64 | 71436-0164 | YES | NO | PK-70873-0607 | TUBE |
| 64 | 71436-0364 | YES | YES | PK-70873-0607 | TUBE |
| 64 | 71436-0464 | YES | YES | PK-70873-063 | TAPE & REEL |
| 64 | 71436-0564 | NO | NO | PK-70873-0606 | TUBE |
| 64 | 71436-0764 | NO | YES | PK-70873-0606 | TUBE |
| 64 | 71436-0864 | NO | YES | PK-70873-063 | TAPE & REEL |

RECOMMENDED PLUG/RECEPTACLE COMBINATION FOR MATED STACK HEIGHT PER EIA STANDARD 700 AAAB

| MATED STACK HEIGHT | RECEPTACLE HEIGHT | RECEPTACLE SERIES NO. | PLUG HEIGHT | PLUG SERIES NO. |
|--------------------|-------------------|-----------------------|-------------|-----------------|
| 8.00 | 5.30 | 71439-0*** | 2.30 | 71436-0*** |



THIS DRAWING CONTAINS INFORMATION THAT IS PROPRIETARY TO MOLEX ELECTRONIC TECHNOLOGIES, LLC AND SHOULD NOT BE USED WITHOUT WRITTEN PERMISSION

| | | | | | | | |
|--|--------|---------------------------------|------------|--|-----------------|----------------|--------------|
| DIMENSION UNITS | SCALE | CURRENT REV DESC: REDRAWN IN NX | | molex | | | |
| mm | --- | | | | | | |
| GENERAL TOLERANCES (UNLESS SPECIFIED) | | EC NO: 610884 | | SALES ASSY, 1.0MM BOARD TO BOARD PLUG CONNECTOR 2.30 STACK HEIGHT | | | |
| ANGULAR TOL | ± 0.5° | DRWN: TTAO03 | 2019/01/23 | | | | |
| 4 PLACES | ± | CHK'D: JKACHLIC | 2019/02/01 | PRODUCT CUSTOMER DRAWING | | | |
| 3 PLACES | ± | APPR: JKACHLIC | 2019/02/01 | | | | |
| 2 PLACES | ± 0.13 | INITIAL REVISION: | | DOCUMENT NUMBER | | | |
| 1 PLACE | ± 0.25 | DRWN: REED | 1995/04/03 | | | | 714360000 |
| 0 PLACES | ± | APPR: BIXLER | 1995/04/03 | DOC TYPE | DOC PART | REVISION | |
| DRAFT WHERE APPLICABLE MUST REMAIN WITHIN DIMENSIONS | | THIRD ANGLE PROJECTION | DRAWING | SERIES | MATERIAL NUMBER | CUSTOMER | SHEET NUMBER |
| | | | C-SIZE | 71436 | SEE TABLE | GENERAL MARKET | 2 OF 2 |