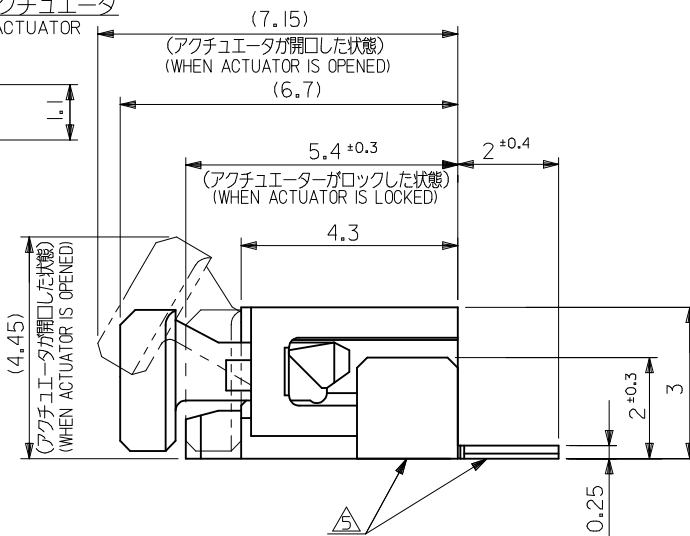
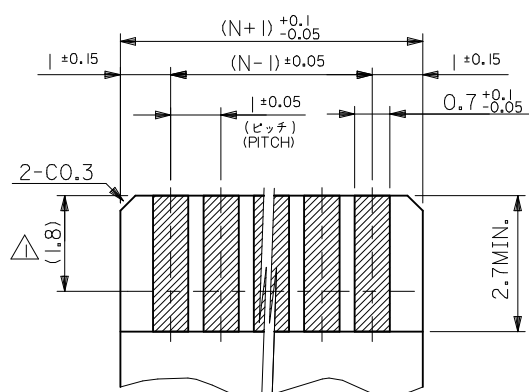


SECT. D-D

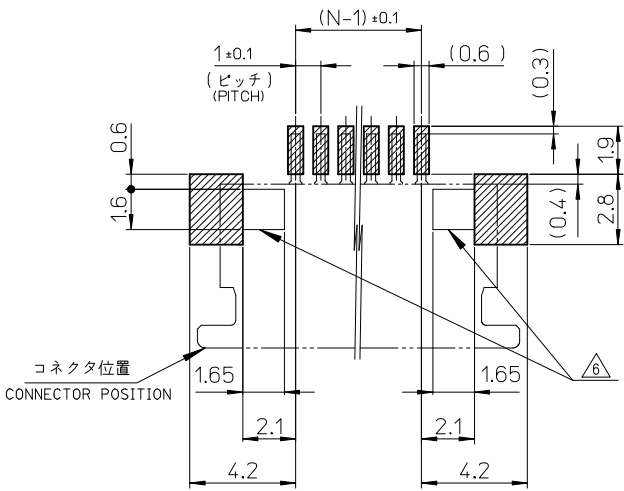


35	31.2	29	52271-3069	30
34	30.2	28	52271-2969	29
33	29.2	27	52271-2869	28
32	28.2	26	52271-2769	27
31	27.2	25	52271-2669	26
30	26.2	24	52271-2569	25
29	25.2	23	52271-2469	24
28	24.2	22	52271-2369	23
27	23.2	21	52271-2269	22
26	22.2	20	52271-2169	21
25	21.2	19	52271-2069	20
24	20.2	18	52271-1969	19
23	19.2	17	52271-1869	18
22	18.2	16	52271-1769	17
21	17.2	15	52271-1669	16
20	16.2	14	52271-1569	15
19	15.2	13	52271-1469	14
18	14.2	12	52271-1369	13
17	13.2	11	52271-1269	12
16	12.2	10	52271-1169	11
15	11.2	9	52271-1069	10
14	10.2	8	52271-0969	9
13	9.2	7	52271-0869	8
12	8.2	6	52271-0769	7
11	7.2	5	52271-0669	6
10	6.2	4	52271-0569	5
9	5.2	3	52271-0469	4
C	B	A	EMBOSSED PACKAGE オーダー番号 ORDER NO.	CIRCUITS
52271-**-29				CONNECTOR SERIES NO.

REVISED EC NO: J2012-1390 DRWN:KNAGUMO 2012/05/10 CHKD:KAKAHASHI 2012/05/10 APPR:KMORIKAWA 2012/05/17	GENERAL TOLERANCES (UNLESS SPECIFIED)		DIMENSION STYLE	SCALE	DESIGN UNITS	TITLE 1.0 FPC CONN ZIF SMT (BOTTOM CONTACT) -LEAD FREE- molex DOCUMENT NO. SD-52271-038 SHEET NO. 1 OF 2
	10 UNDER ±0.2		MM ONLY	10:1	METRIC	
	10 OVER 30 UNDER ±0.25		DRAWN BY	DATE	TITLE	
	30 OVER ±0.3		M.UMEDA	2005/03/08		
DESCRIPTION REV	ANGULAR ±3 °		CHECKED BY	DATE		
	DRAFT WHERE APPLICABLE MUST REMAIN WITHIN DIMENSIONS		K.TOYODA	2005/03/08		
			APPROVED BY	DATE		
			N.UKITA	2005/03/08		
		MATERIAL NO.	SEE CHART			
		SIZE	THIS DRAWING CONTAINS INFORMATION THAT IS PROPRIETARY TO MOLEX INCORPORATED AND SHOULD NOT BE USED WITHOUT WRITTEN PERMISSION			



(仕上り厚さ: 0.3±0.05)
(THICKNESS: 0.3±0.05)
適合FPC推奨寸法
APPLICABLE FPC
RECOMMENDED DIMENSION
(SCALE 10:1)



参考基板レイアウト
RECOMMENDED PCB
PATTERN DIMENSIONS(REF.)
(SCALE 5:1)

注記 NOTES

- △1 接点部までの嵌合長さ。
LENGTH TO CONTACT POINT.
- 2. 使用材料 MATERIAL
 - ハウジング : 46 NYLON, UL94V-0
HOUSING
 - アクチュエータ : PPS, UL94V-0
ACTUATOR
 - ターミナル : リン青銅 (t=0.25)
TERMINAL PHOSPHOR BRONZE (t=0.25)
 - メッキ : 接点部: 金メッキ : 0.1 MICROMETER MIN.
CONTACT PORTION : GOLD PLATING : 0.1 MICROMETER MIN.
半田付部: 錫メッキ : 1.0 MICROMETER MIN.
SOLDERING PORTION : TIN PLATING : 1.0 MICROMETER MIN.
下地: ニッケルメッキ : 1.0 MICROMETER MIN.
UNDER PLATING : NICKEL PLATING : 1.0 MICROMETER MIN.
 - 金具 : 銅合金 (t=0.25)
FITTING NAIL CAPPER ALLOY (t=0.25)
 - メッキ : 錫メッキ : 1.0 MICROMETER MIN.
PLATING : TIN PLATING : 1.0 MICROMETER MIN.
下地: ニッケルメッキ : 1.0 MICROMETER MIN.
UNDER PLATING : NICKEL PLATING : 1.0 MICROMETER MIN.

- △3 パターンはくり止め用金具
FITTING NAIL FOR PREVENTION OF PEELING
OF P.C.B. PATTERN.
- 4. エンボステーブ梱包時は、アクチュエータがロックした状態とする。
IN THE PACKAGE, ACTUATOR OF PART NO.54550-***29 SHOULD BE LOCKED.
- △5 テール及び金具の平坦度は、0.15以下とする。
TAIL AND NAIL COPLANRITY TO BE 0.15 MAXIMUM.
- △6 パターン書き込み禁止エリア
NO FOOT PRINT AREA.

FPC について :

打抜き方向は、導体側から補強板側を推奨致します。
補強フィルム材質は、ポリイミドを推奨致します。
接着剤は、熱硬化接着剤を推奨致します。

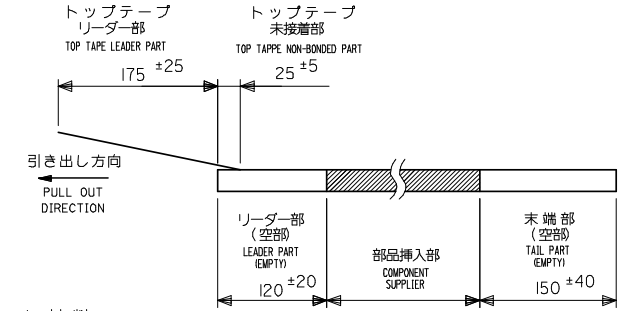
ABOUT FPC :

RECOMMENDED PUNCHER DIRECTION :
FROM CONDUCTOR SIDE TO STIFFENER BOARD SIDE
RECOMMENDED MATERIAL :
STIFFENER FILM : POLYIMIDE
BONDING AGENT : THERMOSETTING BONDING AGENT

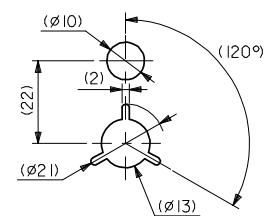
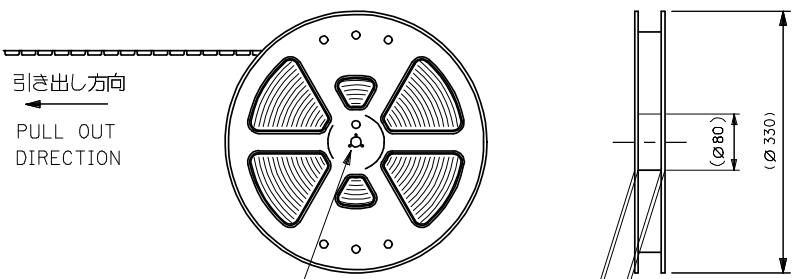
REVISED EC NO: J2012-1390 DRWN:KNAGUMO 2012/05/10 CHKD:KAKAHASHI 2012/05/10 APP:KMORIKAWA 2012/05/17	DESCRIPTION REV	GENERAL TOLERANCES (UNLESS SPECIFIED)		DIMENSION STYLE MM ONLY		SCALE ---	DESIGN UNITS METRIC	THIRD ANGLE PROJECTION	
		10 UNDER	±0.2	DRAWN BY M.UMEDA	DATE 2005/03/08	TITLE 1.0 FPC CONN ZIF SMT (BOTTOM CONTACT) -LEAD FREE-		molex	
		10 OVER 30 UNDER	±0.25	CHECKED BY K.TOYODA	DATE 2005/03/08	DOCUMENT NO. SD-52271-038			
		30 OVER	±0.3	APPROVED BY N.UKITA	DATE 2005/03/08				
ANGULAR ±3 °		DRAFT WHERE APPLICABLE MUST REMAIN WITHIN DIMENSIONS		MATERIAL NO. SEE SHEET 1					
SIZE A3 THIS DRAWING CONTAINS INFORMATION THAT IS PROPRIETARY TO MOLEX INCORPORATED AND SHOULD NOT BE USED WITHOUT WRITTEN PERMISSION									

NOTES

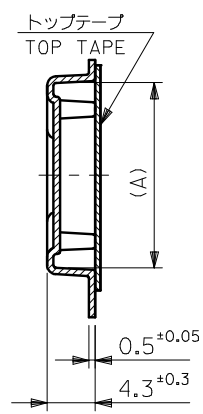
- 製品番号 52271-**29 の梱包状態はアクチュエータがロックした状態とする。
IN THE PACKAGE, ACTUATOR OF PART NO. 52271-**29 SHOULD BE LOCKED.
- 梱包数量：1000個/1リール
NUMBER OF CONNECTORS : 1000 PCS/REEL
- リードテープ長さ LEAD TAPE LENGTH



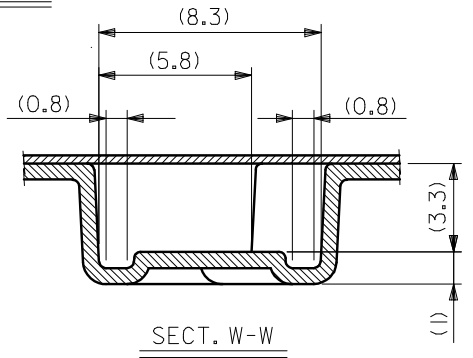
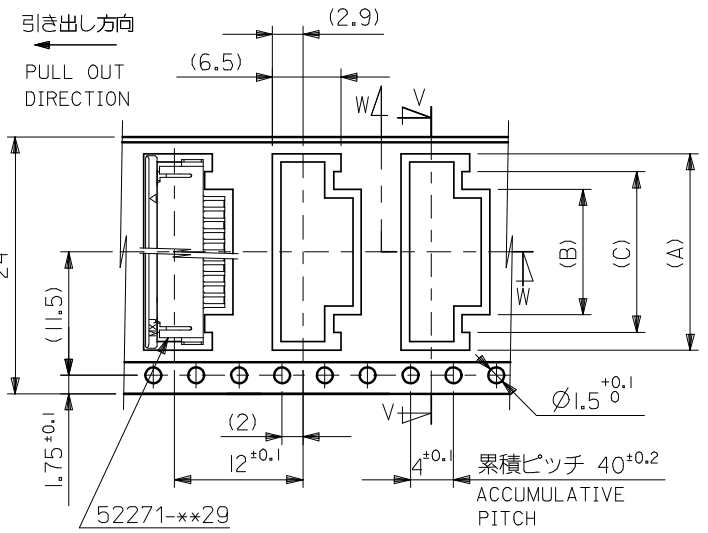
- 材料 (MATERIAL)
キャリアテープ (CARRIER TAPE): ポリプロピレン (POLYPROPYLENE)
トップテープ (TOP TAPE): PET, PE, PEF
リール (REEL): ポリスチレン (PS) <リサイクル材を含む>
POLYSTYRENE (PS) <RECYCLE MATERIAL CONTAINED>
- 製品詳細寸法は製品単体図面を参照して下さい。
FOR DETAIL OF CONNECTOR DIMENSIONS, PLEASE SEE THE DRAWING OF CONNECTOR ITSELF (NOT PACKAGED).
- 本製品は52271-**69の梱包違い品、シリカゲル入りハイバリア仕様である。
THIS PRODUCT IS HIGH BARRIER PACKAGE INCLUDING SILICAGEL FOR 52271-**69.
- 開梱後の保管条件に注意のこと。(PS-52271-054参照)
REFER TO PS-52271-054 FOR CONDITIONS AFTER OPEN.
- ELV AND RoHS COMPLIANT.



DETAIL "E"



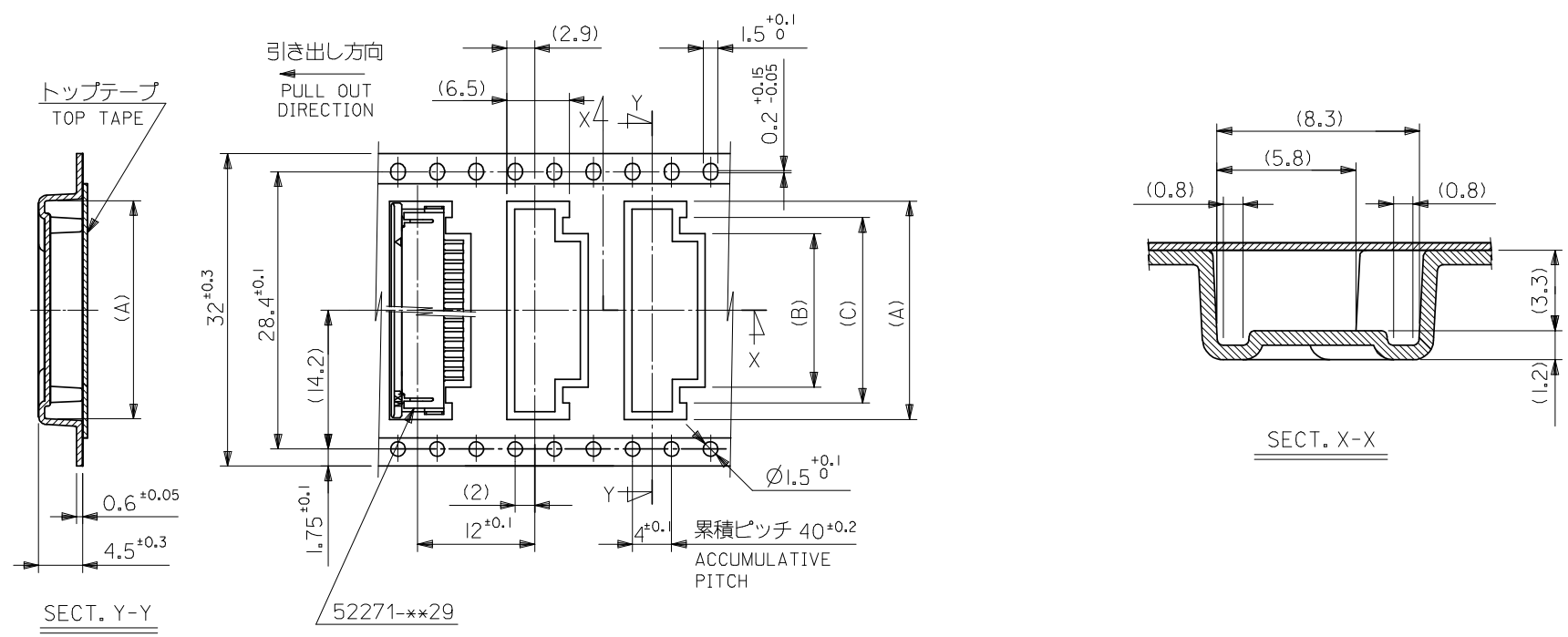
SECT. V-V



SECT. W-W

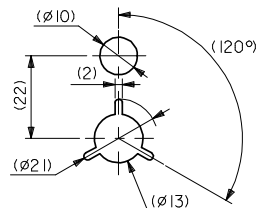
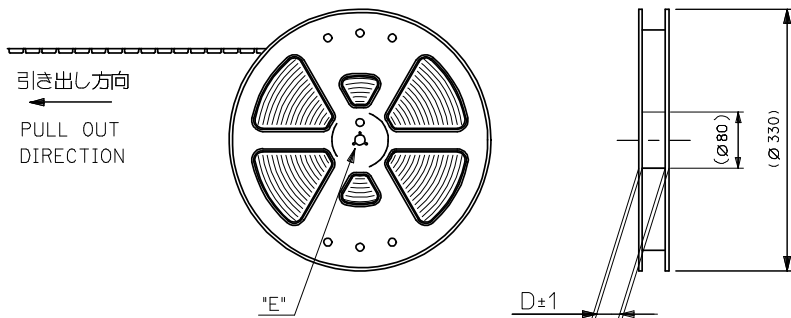
24	29.4	25.4	14	10.4	17.3	52271-1083	10		
			12	8.4	15.3	52271-0883	8		
			11	7.4	14.3	52271-0783	7		
			9	5.4	12.3	52271-0583	5		
キャリアテープ幅 CARRIER TAPE WIDTH			F	D	(C)	(B)	(A)	MATERIAL NO.	種数 CKT.

REVISED EC NO: J2008-4103 DRWN: YA0YAGI CHK: HMATSUMOTO APPR: NUKITA	DESCRIPTION 2008/06/02 2008/06/02 2008/06/02	GENERAL TOLERANCES (UNLESS SPECIFIED)		DIMENSION STYLE MM ONLY		52271-**83		MODEL NO.		
		10 UNDER ± ---		DRAWN BY DATE Y. AOYAGI 2008/05/29		SCALE ---		DESIGN UNITS METRIC		THIRD ANGLE PROJECTION
		10 OVER 30 UNDER ± ---		CHECKED BY DATE H. MATSUMOTO 2008/05/29		TITLE EMBOSSSED TAPE PKG. FOR 52271-**29 HIGH BARRIER PKG.				
		30 OVER ± ---		APPROVED BY DATE N. UKITA 2008/05/29		MOLEX INCORPORATED				
		ANGULAR ± --- °		MATERIAL NO. SEE TABLE		DOCUMENT NO. SD-52271-041		SHEET NO. 1 OF 4		
DRAFT WHERE APPLICABLE MUST REMAIN WITHIN DIMENSIONS				SIZE A3		THIS DRAWING CONTAINS INFORMATION THAT IS PROPRIETARY TO MOLEX INCORPORATED AND SHOULD NOT BE USED WITHOUT WRITTEN PERMISSION				

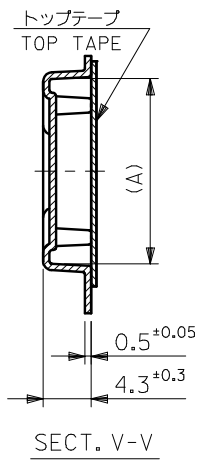


32	37.4	33.4	20	16.4	23.35	52271-1683	16
			19	15.4	22.35	52271-1583	15
			18	14.4	21.35	52271-1483	14
			17	13.4	20.35	52271-1383	13
			16	12.4	19.35	52271-1283	12
			(C)	(B)	(A)	MATERIAL NO.	種数 CKT.

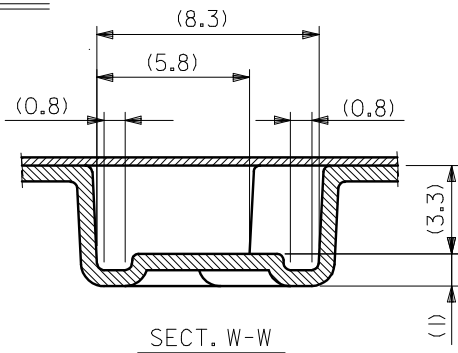
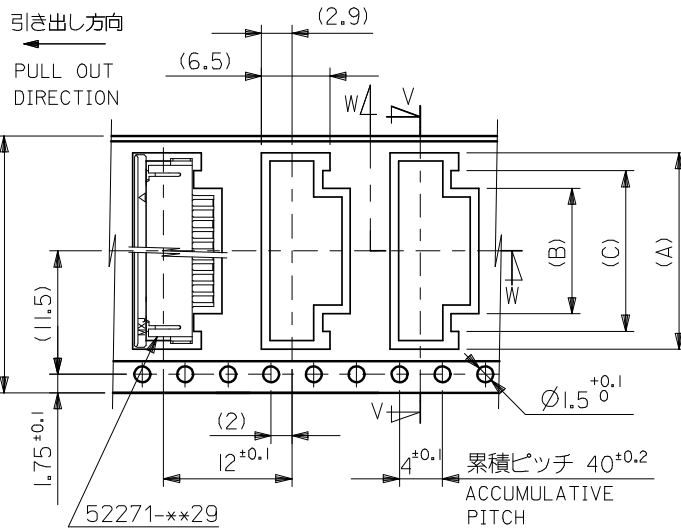
REVISED EC NO: J2008-4103 DRWN:YAoyagi 2008/06/02 CHK:DHMATSUMOTO 2008/06/02 APPR:NUKITA 2008/06/02	DESCRIPTION MODEL NO.52271-**83 キャリアテープ幅 CARRIER TAPE WIDTH	GENERAL TOLERANCES (UNLESS SPECIFIED)		DIMENSION STYLE MM ONLY		SCALE ---	DESIGN UNITS METRIC	THIRD ANGLE PROJECTION			
		10 UNDER	± ---	DRAWN BY Y. AOYAGI	DATE 2008/05/29	TITLE EMBOSSED TAPE PKG. FOR 52271-**29 HIGH BARRIER PKG. MOLEX INCORPORATED					
		10 OVER 30 UNDER	± ---	CHECKED BY H. MATSUMOTO	DATE 2008/05/29						
		30 OVER	± ---	APPROVED BY N. UKITA	DATE 2008/05/29						
		ANGULAR ± --- °		DRAFT WHERE APPLICABLE MUST REMAIN WITHIN DIMENSIONS		MATERIAL NO. SEE TABLE		DOCUMENT NO. SD-52271-041		SHEET NO. 2 OF 4	
		SIZE A3		THIS DRAWING CONTAINS INFORMATION THAT IS PROPRIETARY TO MOLEX INCORPORATED AND SHOULD NOT BE USED WITHOUT WRITTEN PERMISSION							



DETAIL "E"



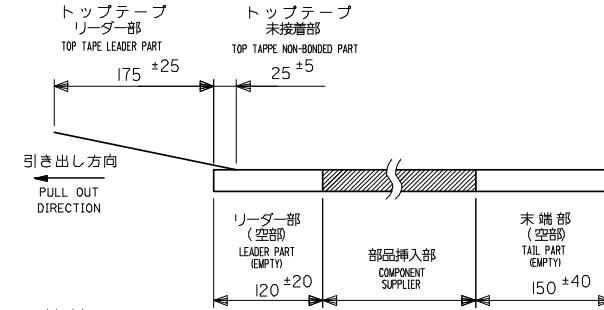
SECT. V-V



SECT. W-W

NOTES

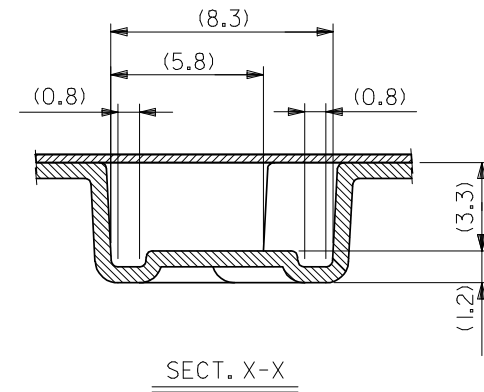
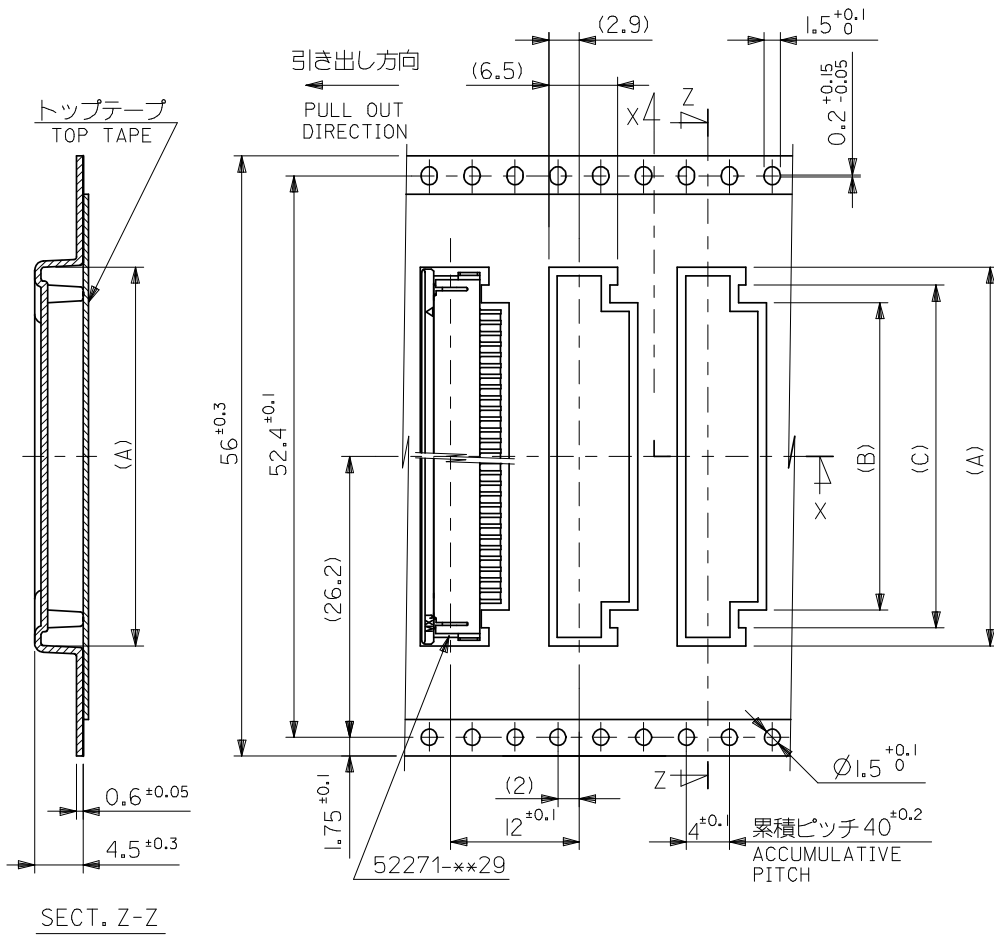
- 製品番号 52271-**29 の梱包状態はアクチュエータがロックした状態とする。
IN THE PACKAGE, ACTUATOR OF PART NO. 52271-**29 SHOULD BE LOCKED.
- 梱包数量: 1000個/リール
NUMBER OF CONNECTORS: 1000 PCS/REEL
- リードテープ長さ LEAD TAPE LENGTH



- 材料 (MATERIAL)
キャリアテープ (CARRIER TAPE): ポリプロピレン (POLYPROPYLENE)
トップテープ (TOP TAPE): PET, PE, PEF
リール (REEL): ポリスチレン (PS) <リサイクル材を含む>
POLYSTYRENE (PS) <RECYCLE MATERIAL CONTAINED>
- 製品詳細寸法は製品単体図面を参照して下さい。
FOR DETAIL OF CONNECTOR DIMENSIONS, PLEASE SEE THE DRAWING OF CONNECTOR ITSELF (NOT PACKAGED).
- 本製品は52271-**69の梱包違い品、シリカゲル入りハイバリア仕様である。
THIS PRODUCT IS HIGH BARRIER PACKAGE INCLUDING SILICAGEL FOR 52271-**69.
- 開梱後の保管条件に注意のこと。(PS-52271-054参照)
REFER TO PS-52271-054 FOR CONDITIONS AFTER OPEN.
- ELV AND RoHS COMPLIANT.

24	29.4	25.4	15	11.4	18.3	52271-1183	11		
			14	10.4	17.3	52271-1083	10		
			12	8.4	15.3	52271-0883	8		
			11	7.4	14.3	52271-0783	7		
			9	5.4	12.3	52271-0583	5		
			8	4.4	11.3	52271-0483	4		
キャリアテープ幅 CARRIER TAPE WIDTH			F	D	(C)	(B)	(A)	MATERIAL NO.	種数 CKT.

RELEASED EC NO: J2008-4103 DRWN: YA0YAGI CHK: HMATSUMOTO APPR: NUKITA	DESCRIPTION 2008/06/02 2008/06/02 2008/06/02	GENERAL TOLERANCES (UNLESS SPECIFIED)		DIMENSION STYLE MM ONLY		52271-**83		MODEL NO.		
		10 UNDER ±---		DRAWN BY DATE Y. AOYAGI 2008/05/29		SCALE ---		DESIGN UNITS METRIC		THIRD ANGLE PROJECTION EMBOSSED TAPE PKG. FOR 52271-**29 HIGH BARRIER PKG.
		10 OVER 30 UNDER ±---		CHECKED BY DATE H. MATSUMOTO 2008/05/29		TITLE		MOLEX INCORPORATED		
		30 OVER ±---		APPROVED BY DATE N. UKITA 2008/05/29		MATERIAL NO.		DOCUMENT NO.		SHEET NO. 3 OF 4
		ANGULAR ±--- °		DRAFT WHERE APPLICABLE MUST REMAIN WITHIN DIMENSIONS		SEE TABLE		SD-52271-041		
A		A3		THIS DRAWING CONTAINS INFORMATION THAT IS PROPRIETARY TO MOLEX INCORPORATED AND SHOULD NOT BE USED WITHOUT WRITTEN PERMISSION						



MODEL NO.52271-**-83	56	61.4	57.4	34	30.4	37.35	52271-3083	30
	キャリアテープ幅 CARRIER TAPE WIDTH			F	D	(C)	(B)	(A)
	GENERAL TOLERANCES (UNLESS SPECIFIED)			DIMENSION STYLE MM ONLY		SCALE ---	DESIGN UNITS METRIC	THIRD ANGLE PROJECTION
REVISED EC NO: J2008-4103 DRWN:YAoyagi 2008/06/02 CHKD:HMATSUMOTO 2008/06/02 APPR:NUKITA 2008/06/02	10 UNDER	± ---		DRAWN BY Y. AOYAGI	DATE 2008/05/29	TITLE EMBOSSD TAPE PKG. FOR 52271-**-29 HIGH BARRIER PKG.		
	10 OVER 30 UNDER	± ---		CHECKED BY H. MATSUMOTO	DATE 2008/05/29			
	30 OVER	± ---		APPROVED BY N. UKITA	DATE 2008/05/29	MOLEX INCORPORATED		
	ANGULAR	± --- °		MATERIAL NO.	DOCUMENT NO.			
	DRAFT WHERE APPLICABLE MUST REMAIN WITHIN DIMENSIONS			SEE TABLE	SD-52271-041	4 OF 4		