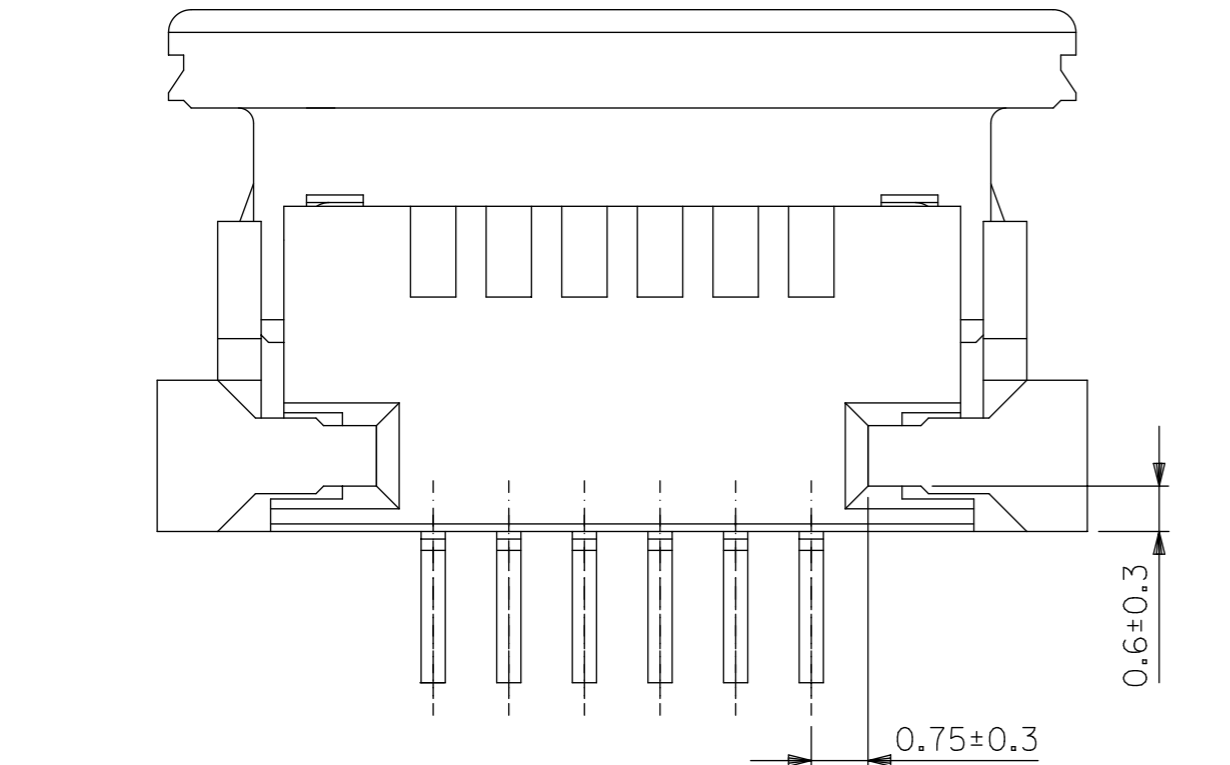
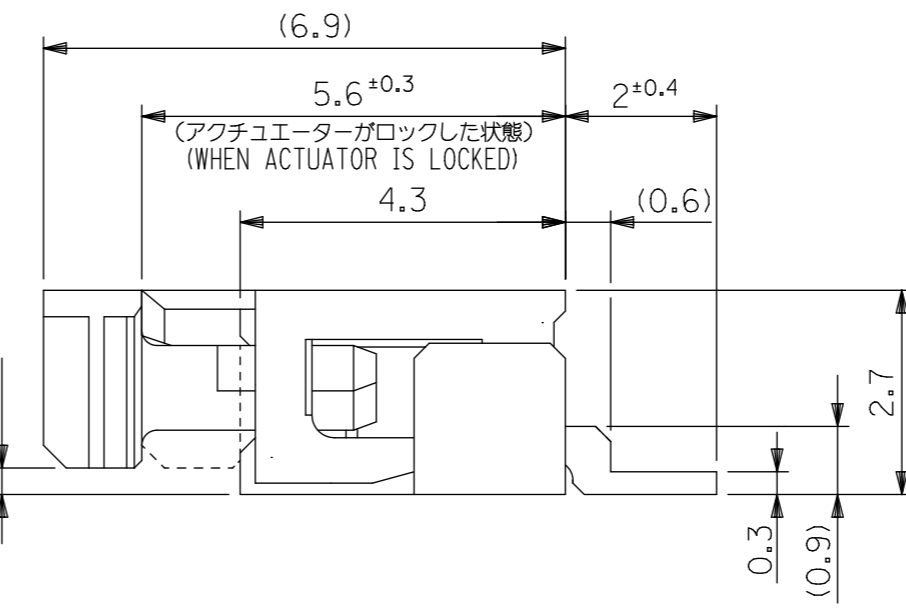
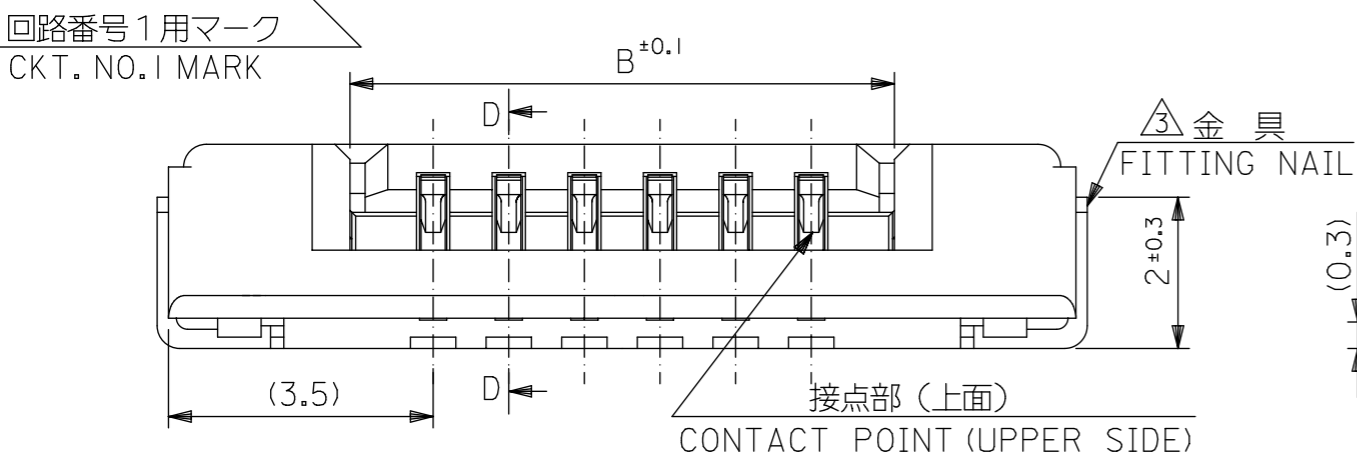


断面D-D  
SECT.D-D



|      |      |    |                           |             |
|------|------|----|---------------------------|-------------|
| 38.7 | 35.2 | 33 | 52207-3485                | 34          |
| 34.7 | 31.2 | 29 | 52207-3085                | 30          |
| 33.7 | 30.2 | 28 | 52207-2985                | 29          |
| 32.7 | 29.2 | 27 | 52207-2885                | 28          |
| 31.7 | 28.2 | 26 | 52207-2785                | 27          |
| 30.7 | 27.2 | 25 | 52207-2685                | 26          |
| 29.7 | 26.2 | 24 | 52207-2585                | 25          |
| 28.7 | 25.2 | 23 | 52207-2485                | 24          |
| 27.7 | 24.2 | 22 | 52207-2385                | 23          |
| 26.7 | 23.2 | 21 | 52207-2285                | 22          |
| 25.7 | 22.2 | 20 | 52207-2185                | 21          |
| 24.7 | 21.2 | 19 | 52207-2085                | 20          |
| 23.7 | 20.2 | 18 | 52207-1985                | 19          |
| 22.7 | 19.2 | 17 | 52207-1885                | 18          |
| 21.7 | 18.2 | 16 | 52207-1785                | 17          |
| 20.7 | 17.2 | 15 | 52207-1685                | 16          |
| 19.7 | 16.2 | 14 | 52207-1585                | 15          |
| 18.7 | 15.2 | 13 | 52207-1485                | 14          |
| 17.7 | 14.2 | 12 | 52207-1385                | 13          |
| 16.7 | 13.2 | 11 | 52207-1285                | 12          |
| 15.7 | 12.2 | 10 | 52207-1185                | 11          |
| 14.7 | 11.2 | 9  | 52207-1085                | 10          |
| 13.7 | 10.2 | 8  | 52207-0985                | 9           |
| 12.7 | 9.2  | 7  | 52207-0885                | 8           |
| 11.7 | 8.2  | 6  | 52207-0785                | 7           |
| 10.7 | 7.2  | 5  | 52207-0685                | 6           |
| 9.7  | 6.2  | 4  | 52207-0585                | 5           |
| 8.7  | 5.2  | 3  | 52207-0485                | 4           |
| 7.7  | 4.2  | 2  | 52207-0385                | 3           |
| C    | B    | A  | EMBOSSD PACKAGE ORDER NO. | 極数 CIRCUITS |

CONNECTOR SERIES NO. 52207-\*\*19

THIS DRAWING CONTAINS INFORMATION THAT IS PROPRIETARY TO MOLEX ELECTRONIC TECHNOLOGIES, LLC AND SHOULD NOT BE USED WITHOUT WRITTEN PERMISSION

SCALE: mm NTS

GENERAL TOLERANCES (UNLESS SPECIFIED)

ANGULAR TOL ± °

4 PLACES ±

3 PLACES ±

2 PLACES ±

1 PLACE ±

0 PLACES ±

DRAFT WHERE APPLICABLE MUST REMAIN WITHIN DIMENSIONS

THIRD ANGLE PROJECTION

DRAWING: A3-SIZE

SERIES: 52207

MATERIAL NUMBER: SEE TABLE

CUSTOMER: GENERAL MARKET

SHEET NUMBER: 1 OF 2

EC NO: 719890

DRWN: NARENC 2022/08/22

CHK'D: SMARUYAMA 2022/09/05

APPR: YNAITO 2022/09/05

INITIAL REVISION:

DRWN: MNINOMIYA 2004/02/18

APPR: MSASAO 2004/02/18

DOCUMENT NUMBER: SD-52207-060

DOC TYPE: PSD

DOC PART: 001

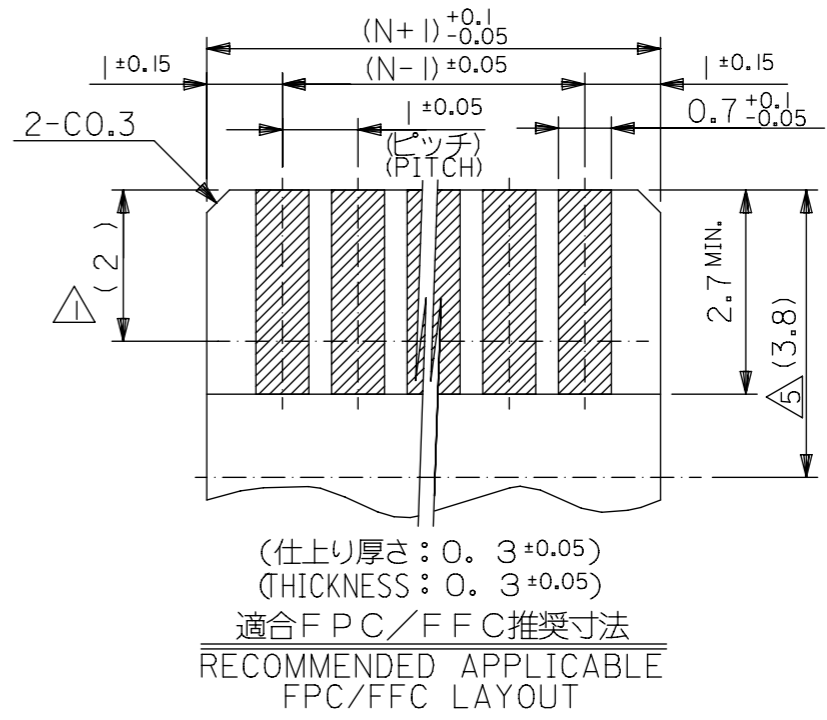
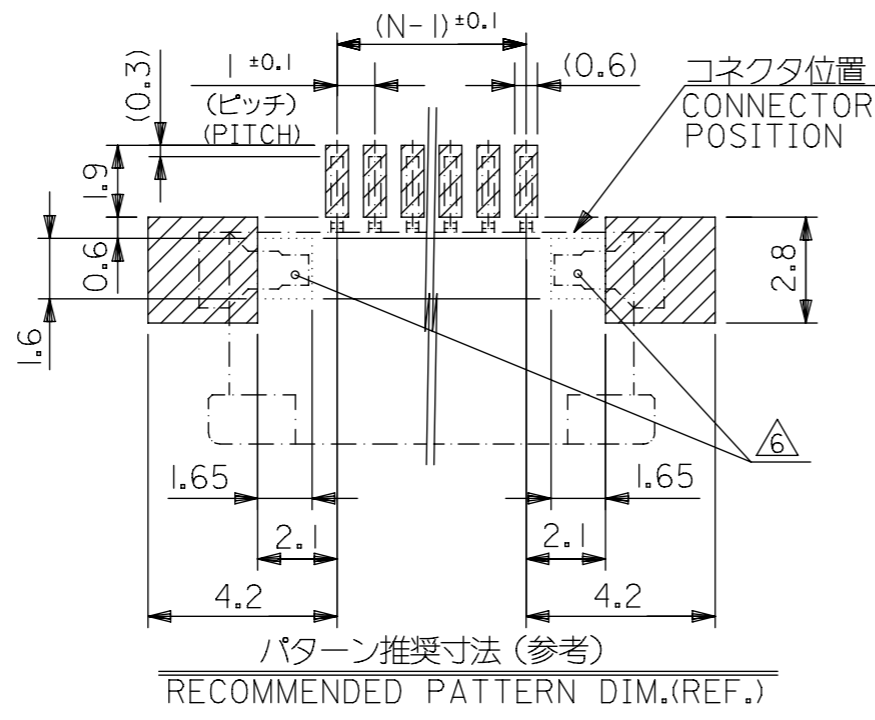
REVISION: F

PRODUCT CUSTOMER DRAWING

1.0 PITCH FPC CONN. ZIF SMT -LEAD FREE-

GENERAL TOLERANCES (UNLESS SPECIFIED)

|  |       |
|--|-------|
| 10 <sup>UNDER</sup>                    | ±0.2  |
| 10 <sup>OVER</sup> 30 <sup>UNDER</sup> | ±0.25 |
| 30 <sup>OVER</sup>                     | ±0.3  |
| ANGULAR                                | ±3°   |



注記 NOTES

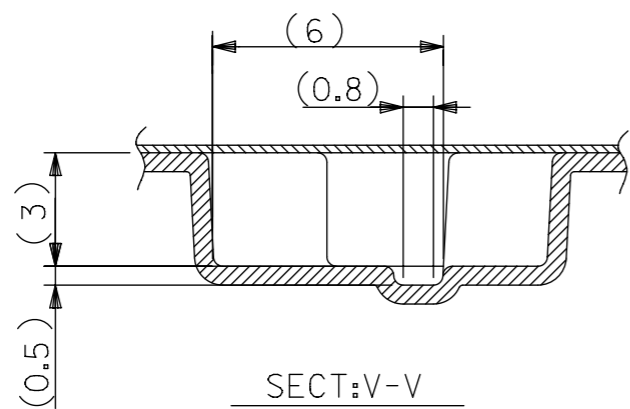
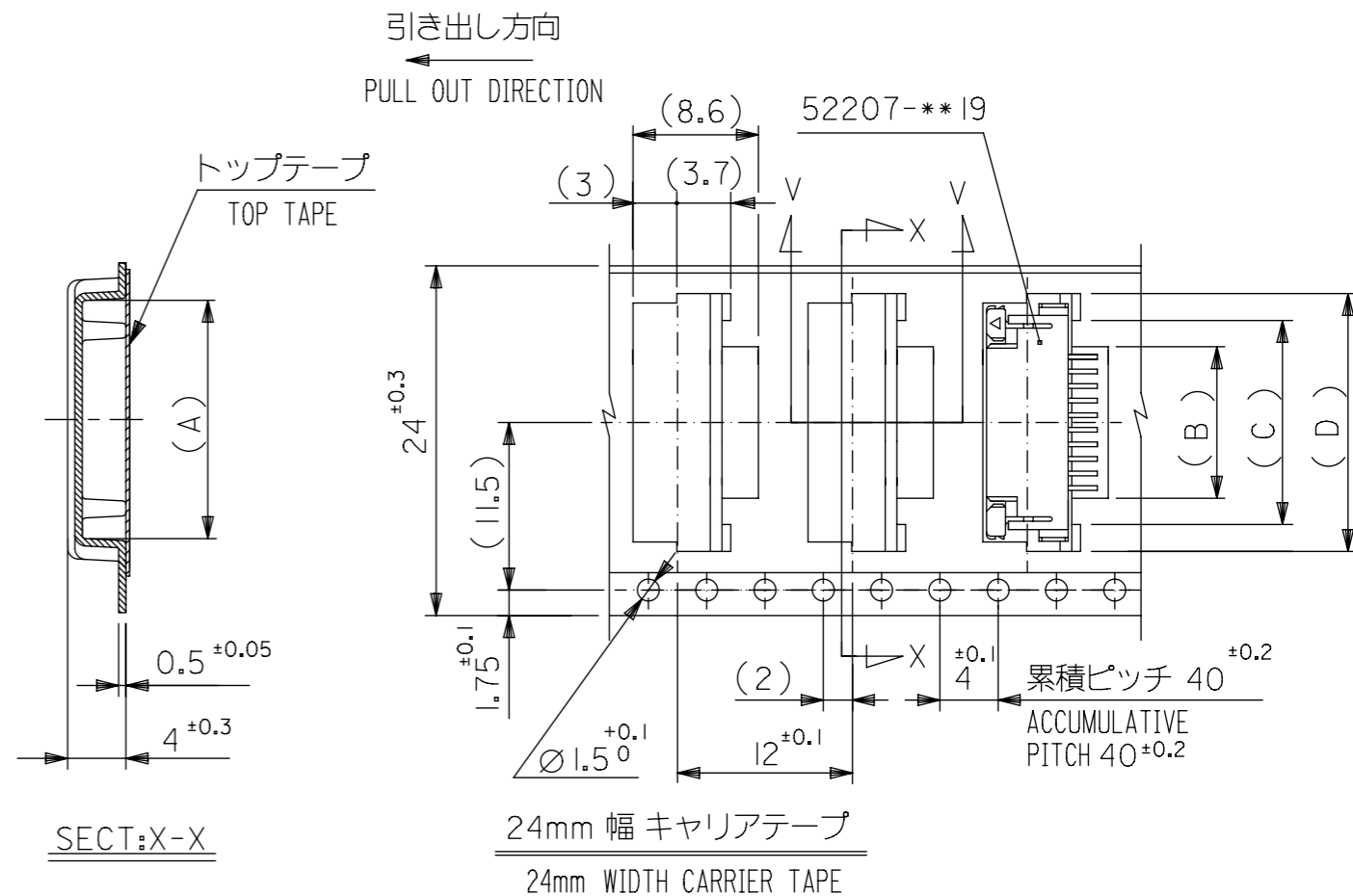
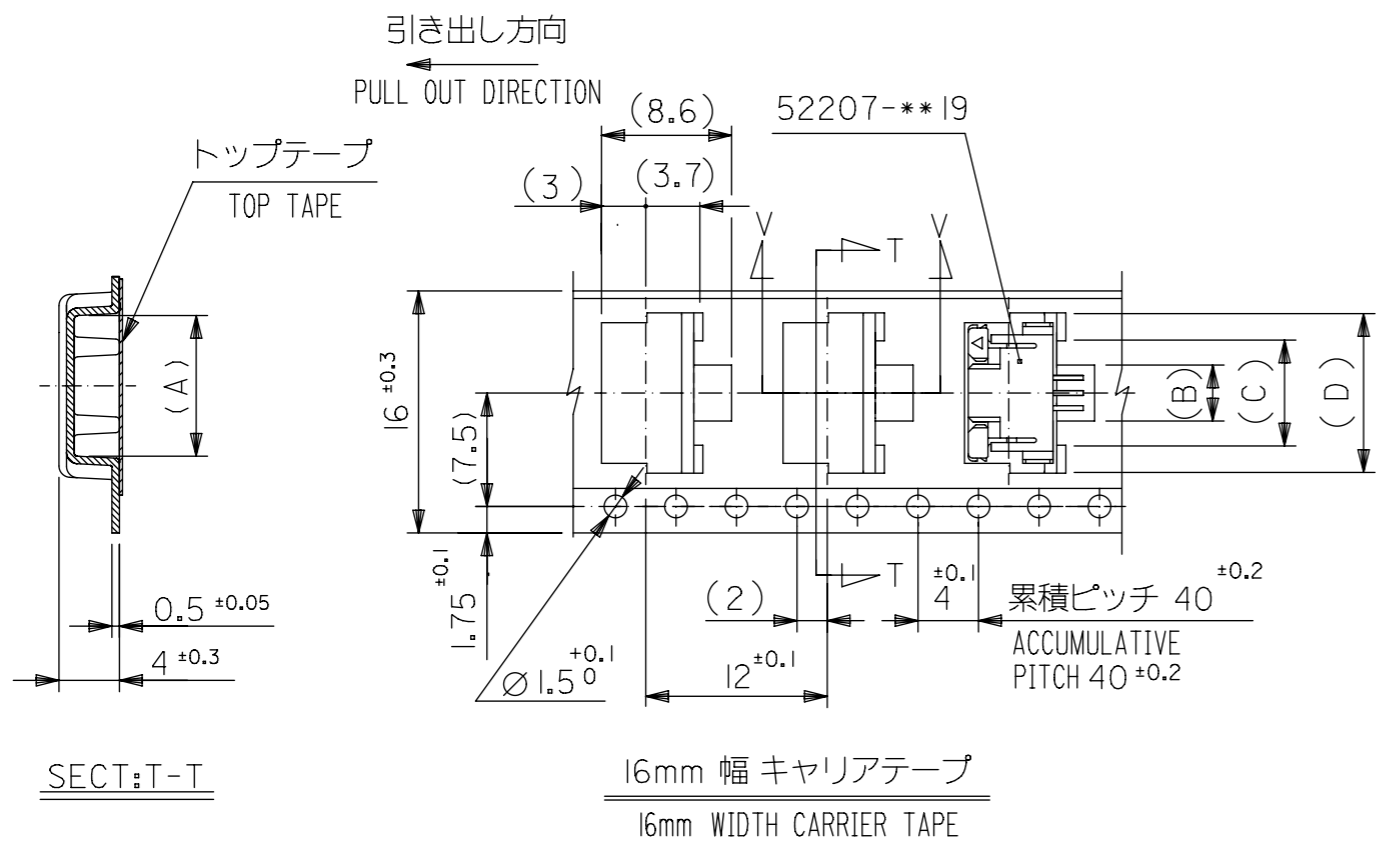
- △ 接点部までの嵌合長さ。  
LENGTH TO CONTACT POINT.
- 2. 使用材料 MATERIAL
  - ハウジング : 46ナイロン (耐熱性), UL94V-0  
HOUSING : 46NYLON, UL94V-0
  - アクチュエータ : PPS, UL94V-0  
ACTUATOR : PPS, UL94V-0
  - ターミナル : リン青銅  
TERMINAL : PHOSPHOR BRONZE
  - 錫・ビスマスマッキ 1.0マイクロメートル以上  
: TIN BISMUTH 1.0 MICROMETER MINIMUM
  - ニッケル下地 1.0マイクロメートル以上  
: NICKEL (UNDER PLATING) 1.0 MICROMETER MINIMUM
  - 銅合金
  - 金具 FITTING NAIL : COPPER ALLOY
  - 錫メッキ 1.0マイクロメートル以上  
: TIN 1.0 MICROMETER MINIMUM
  - ニッケル下地 1.0マイクロメートル以上  
: NICKEL (UNDER PLATING) 1.0 MICROMETER MINIMUM
- ③ パターンはくり止め用金具  
FITTING NAIL FOR PREVENTION OF PEELING OF P.C.B. PATTERN.
- 4. エンボステーパ梱包時は、アクチュエータがロックした状態とする。  
IN THE PACKAGE, ACTUATOR OF PART NO. 52207-\*\*-19 SHOULD BE LOCKED.
- △ ケーブル挿入深さ  
INSERTION DEPTH OF CABLE.
- △ パターン書き込み禁止エリア。  
NO FOOT PRINT AREA.
- 7. 本製品は 52207-\*\*-17 の鉛フリー品である。  
THIS PRODUCT IS LEAD FREE OF 52207-\*\*-17.
- 8. ELV及びRoHS適合品  
ELV AND RoHS COMPLIANT

FPCについて:

打抜き方向は導体側から補強板を推奨致します。  
補強フィルム材質はポリイミドを推奨致します。  
接着剤は熱硬化接着剤を推奨致します。

ABOUT FPC:  
RECOMMENDED PUNCHER DIRECTION : FROM CONDUCTOR SIDE TO STIFFENER BOARD SIDE.  
RECOMMENDED MATERIAL :  
STIFFENER FILM : POLYIMIDE  
BONDING AGENT : THERMOSETTING BONDING AGENT

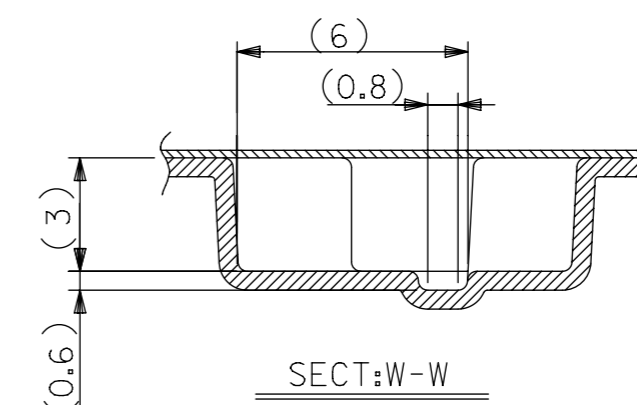
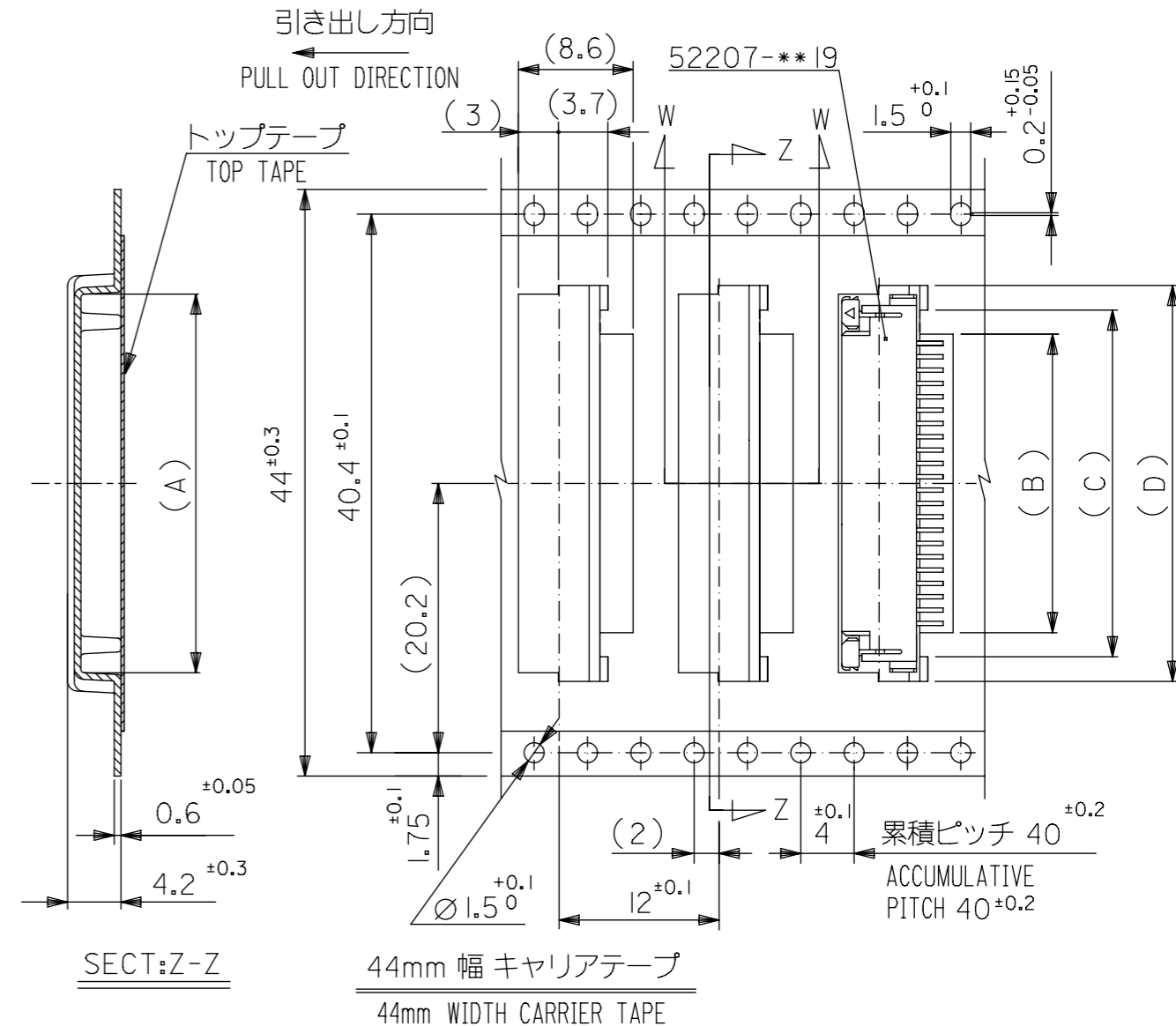
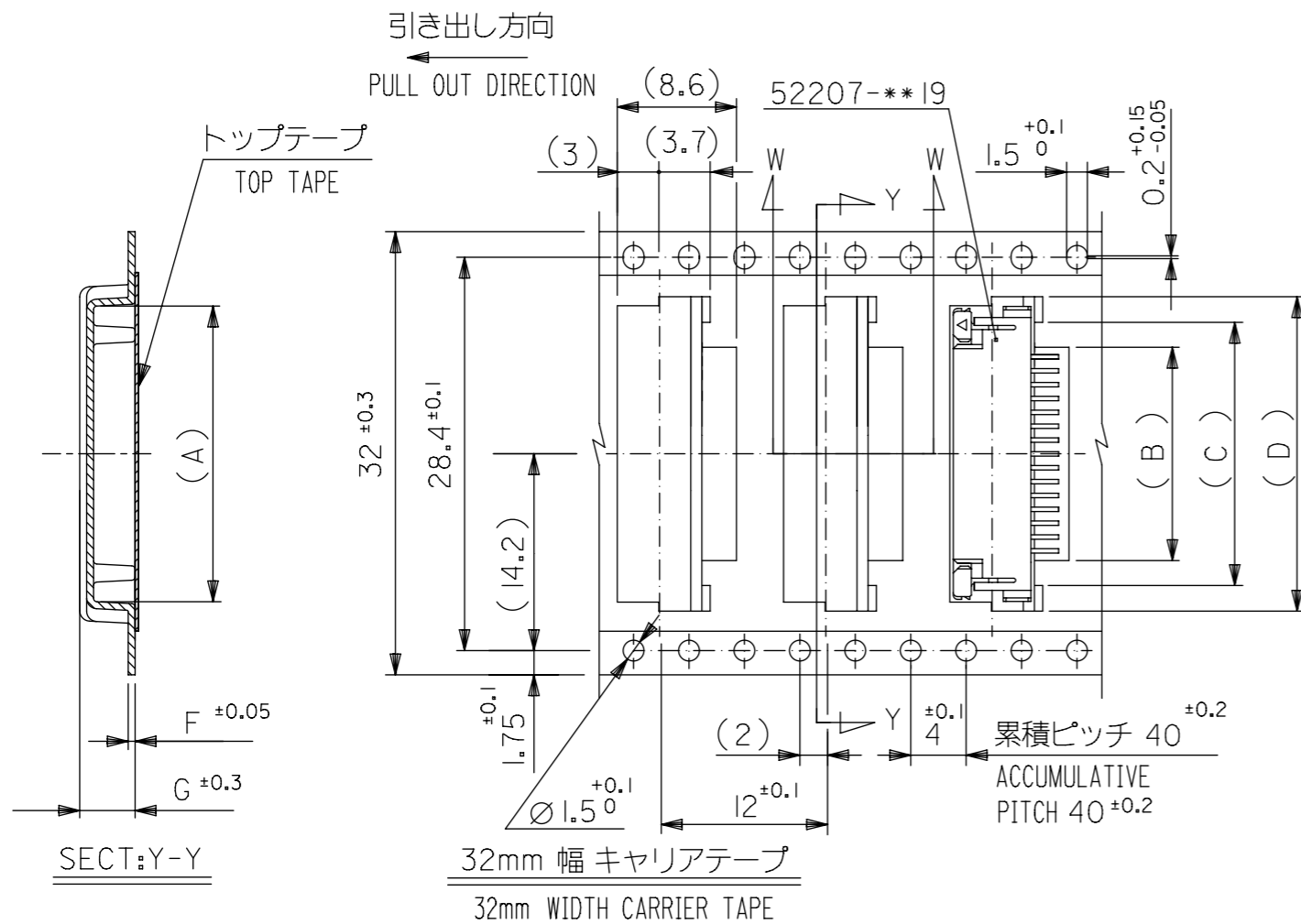
|   |       |                                       |  |  |  |
|---|-------|---------------------------------------|--|--|--|
| THIS DRAWING CONTAINS INFORMATION THAT IS PROPRIETARY TO MOLEX ELECTRONIC TECHNOLOGIES, LLC AND SHOULD NOT BE USED WITHOUT WRITTEN PERMISSION |       | CURRENT REV DESC:                     |  | <b>molex</b>                               |  |
| DIMENSION UNITS   | SCALE |                                       |  |  |  |
| mm  | NTS   |                                       |  | 1.0 PITCH FPC CONN.<br>ZIF SMT -LEAD FREE- |  |
| GENERAL TOLERANCES (UNLESS SPECIFIED)   |       | GENERAL TOLERANCES (UNLESS SPECIFIED) |  | PRODUCT CUSTOMER DRAWING                   |  |
| ANGULAR TOL ± °   |       | ANGULAR TOL ± °                       |  | DOCUMENT NUMBER                            |  |
| 4 PLACES ±  |       | 4 PLACES ±                            |  | SD-52207-060                               |  |
| 3 PLACES ±  |       | 3 PLACES ±                            |  | DOC TYPE                                   |  |
| 2 PLACES ±  |       | 2 PLACES ±                            |  | PSD  |  |
| 1 PLACE ±   |       | 1 PLACE ±                             |  | DOC PART                                   |  |
| 0 PLACES ±  |       | 0 PLACES ±                            |  | 001  |  |
| DRAFT WHERE APPLICABLE MUST REMAIN WITHIN DIMENSIONS  |       | THIRD ANGLE PROJECTION                |  | REVISION                                   |  |
|   |       | DRAWING                               |  | F  |  |
| A3-SIZE   |       | SERIES                                |  | SHEET NUMBER                               |  |
| 52207   |       | MATERIAL NUMBER                       |  | 2 OF 2                                     |  |
| SEE SHEET 1   |       | CUSTOMER                              |  |  |  |
| GENERAL MARKET  |       |                                       |  |  |  |



|             |                                |      |      |      |     |      |      |              |            |
|-------------|--------------------------------|------|------|------|-----|------|------|--------------|------------|
|             |                                |      |      | 18.5 | 15  | 11.7 | 17.3 | 52207-1185   | 11         |
|             |                                |      |      | 17.5 | 14  | 10.7 | 16.3 | 4 -1085      | 10         |
|             |                                |      |      | 16.5 | 13  | 9.7  | 15.3 | -0985        | 9          |
|             |                                |      |      | 15.5 | 12  | 8.7  | 14.3 | -0885        | 8          |
|             |                                |      |      | 14.5 | 11  | 7.7  | 13.3 | -0785        | 7          |
|             |                                |      |      | 13.5 | 10  | 6.7  | 12.3 | -0685        | 6          |
|             |                                |      |      | 12.5 | 9   | 5.7  | 11.3 | -0585        | 5          |
|             |                                |      |      | 11.5 | 8   | 4.7  | 10.3 | ▽ -0485      | 4          |
| 52207-***85 | 16                             | 21.4 | 17.4 | 10.5 | 7   | 3.7  | 9.3  | 52207-0385   | 3          |
| MODEL NO.   | キャリアテープ幅<br>CARRIER TAPE WIDTH | H    | E    | (D)  | (C) | (B)  | (A)  | MATERIAL NO. | 極数<br>CKT. |

THIS DRAWING CONTAINS INFORMATION THAT IS PROPRIETARY TO MOLEX ELECTRONIC TECHNOLOGIES, LLC AND SHOULD NOT BE USED WITHOUT WRITTEN PERMISSION

|  |  |   |  |   |  |   |  |  |  |  |  |
|--|--|---|--|---|--|---|--|--|--|--|--|
| <b>GENERAL TOLERANCES (UNLESS SPECIFIED)</b><br>10 <sup>UNDER</sup> ±0.2<br>10 <sup>OVER</sup> 30 <sup>UNDER</sup> ±0.25<br>30 <sup>OVER</sup> ±0.3<br>ANGULAR ±3° |  | DIMENSION UNITS: mm<br>SCALE: NTS<br>ANGULAR TOL: ±°<br>4 PLACES ±<br>3 PLACES ±<br>2 PLACES ±<br>1 PLACE ±<br>0 PLACES ±<br>DRAFT WHERE APPLICABLE MUST REMAIN WITHIN DIMENSIONS |  | CURRENT REV DESC:<br>EC NO: 719890<br>DRWN: NARENC 2022/08/22<br>CHK'D: SMARUYAMA 2022/09/05<br>APPR: YNAITO 2022/09/05<br>INITIAL REVISION:<br>DRWN: MNINOMIYA 2004/02/18<br>APPR: MSASAO 2004/02/18 |  | <b>molex</b><br>EMBOSSED TAPE PACKAGE FOR 52207-***19 -LEAD FREE-<br>PRODUCT CUSTOMER DRAWING |  | DOCUMENT NUMBER: SD-52207-061<br>DOC TYPE: PSD<br>DOC PART: 001<br>REVISION: D |  | MATERIAL NUMBER: SEE TABLE<br>CUSTOMER: GENERAL MARKET<br>SHEET NUMBER: 1 OF 3 |  |
|--|--|---|--|---|--|---|--|--|--|--|--|



|                                |      |      |     |     |      |     |      |       |              |            |
|--------------------------------|------|------|-----|-----|------|-----|------|-------|--------------|------------|
| 32                             | 37.4 | 33.4 | 4.0 | 0.5 | 23.5 | 20  | 16.7 | 22.35 | 52207-1685   | 16         |
|                                |      |      | 4.2 | 0.6 | 22.5 | 19  | 15.7 | 21.35 | 4-1585       | 15         |
|                                |      |      | 4.2 | 0.6 | 21.5 | 18  | 14.7 | 20.35 | -1485        | 14         |
|                                |      |      | 4.2 | 0.6 | 20.5 | 17  | 13.7 | 19.35 | 7-1385       | 13         |
|                                |      |      | 4.2 | 0.6 | 19.5 | 16  | 12.7 | 18.35 | 52207-1285   | 12         |
| キャリアテープ幅<br>CARRIER TAPE WIDTH | H    | E    | (G) | (F) | (D)  | (C) | (B)  | (A)   | MATERIAL NO. | 極数<br>CKT. |

|                                |      |      |       |            |      |       |              |            |
|--------------------------------|------|------|-------|------------|------|-------|--------------|------------|
| 44                             | 49.4 | 45.4 | 34.5  | 31         | 27.7 | 33.35 | 52207-2785   | 27         |
|                                |      |      | 33.5  | 30         | 26.7 | 32.35 | 4-2685       | 26         |
|                                |      |      | 32.5  | 29         | 25.7 | 31.35 | -2585        | 25         |
|                                |      |      | 31.5  | 28         | 24.7 | 30.35 | -2485        | 24         |
|                                |      |      | 30.5  | 27         | 23.7 | 29.35 | -2385        | 23         |
|                                |      |      | 29.5  | 26         | 22.7 | 28.35 | -2285        | 22         |
|                                |      |      | 28.5  | 25         | 21.7 | 27.35 | -2185        | 21         |
|                                |      |      | 27.5  | 24         | 20.7 | 26.35 | -2085        | 20         |
|                                |      |      | 26.5  | 23         | 19.7 | 25.35 | -1985        | 19         |
|                                |      |      | 25.5  | 22         | 18.7 | 24.35 | 7-1885       | 18         |
| 24.5                           | 21   | 17.7 | 23.35 | 52207-1785 | 17   |       |              |            |
| キャリアテープ幅<br>CARRIER TAPE WIDTH | H    | E    | (D)   | (C)        | (B)  | (A)   | MATERIAL NO. | 極数<br>CKT. |

|                 |    |              |            |          |
|-----------------|----|--------------|------------|----------|
| DOCUMENT STATUS | P1 | RELEASE DATE | 2022/09/05 | 05:51:49 |
|-----------------|----|--------------|------------|----------|

| GENERAL TOLERANCES (UNLESS SPECIFIED)  |       |
|--|-------|
| 10 <sup>UNDER</sup>                    | ±0.2  |
| 10 <sup>OVER</sup> 30 <sup>UNDER</sup> | ±0.25 |
| 30 <sup>OVER</sup>                     | ±0.3  |
| ANGULAR                                | ±3°   |

THIS DRAWING CONTAINS INFORMATION THAT IS PROPRIETARY TO MOLEX ELECTRONIC TECHNOLOGIES, LLC AND SHOULD NOT BE USED WITHOUT WRITTEN PERMISSION

DIMENSION UNITS: mm SCALE: NTS

CURRENT REV DESC:

EC NO: 719890  
DRWN: NARENC 2022/08/22  
CHK'D: SMARUYAMA 2022/09/05  
APPR: YNAITO 2022/09/05

INITIAL REVISION:  
DRWN: MNINOMIYA 2004/02/18  
APPR: MSASAO 2004/02/18

DRAFT WHERE APPLICABLE MUST REMAIN WITHIN DIMENSIONS

THIRD ANGLE PROJECTION

DRAWING: A3-SIZE SERIES: 52207

MATERIAL NUMBER: SEE TABLE CUSTOMER: GENERAL MARKET SHEET NUMBER: 2 OF 3

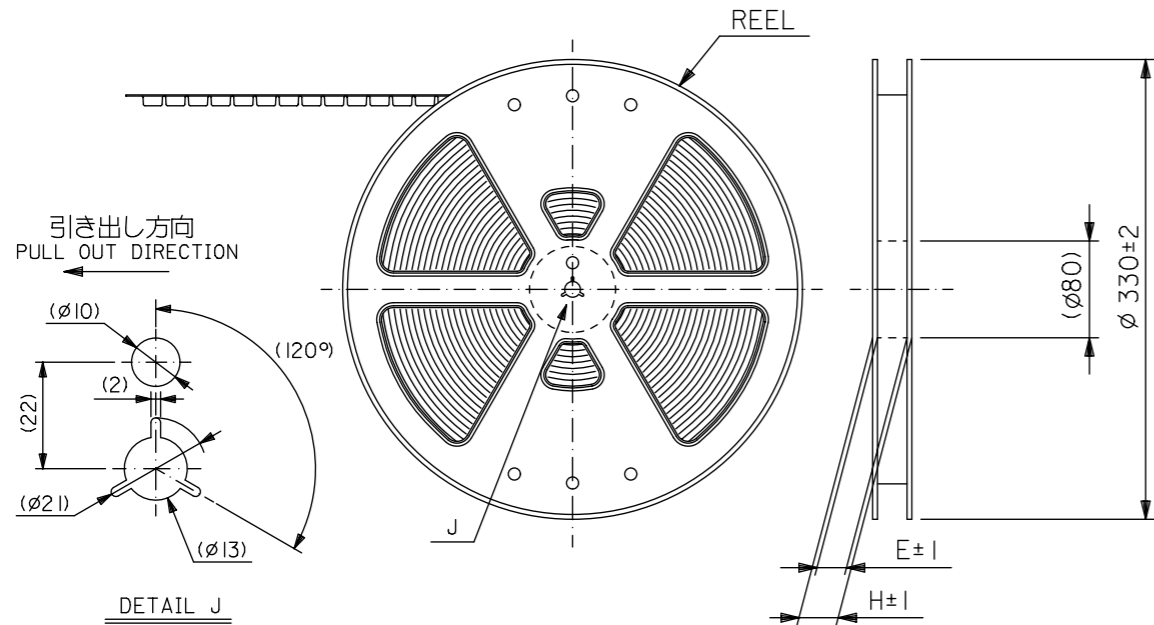
52207-\*\*-85 MODEL NO.

**molex**

EMBOSSSED TAPE PACKAGE FOR 52207-\*\*-19 -LEAD FREE-

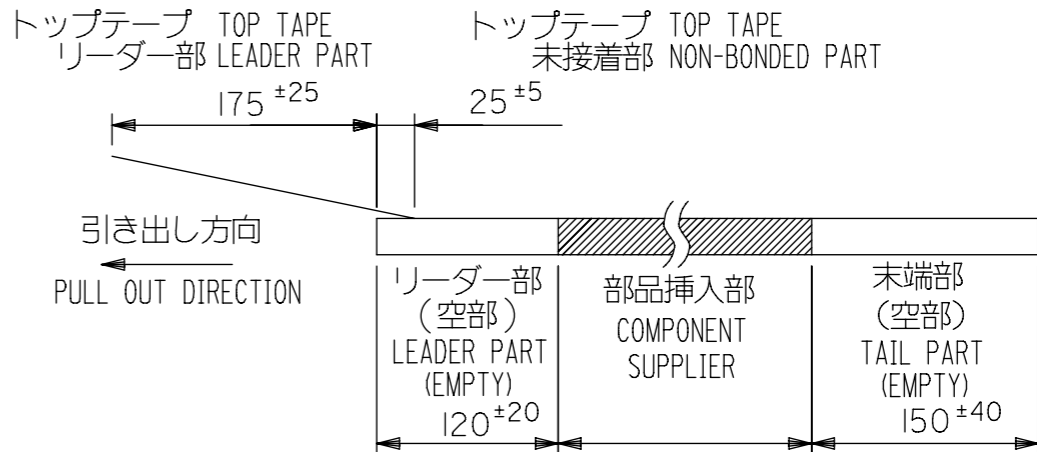
PRODUCT CUSTOMER DRAWING

DOCUMENT NUMBER: SD-52207-061 DOC TYPE: PSD DOC PART: 001 REVISION: D



**注記**

- 製品番号 52207-\*\*-19 の梱包状態はアクチュエータがロックした状態とする。  
IN THE PACKAGE, ACTUATOR OF PART NO. 52207-\*\*-19 SHOULD BE LOCKED  
RE DETAILED DIMENSIONS, SEE SD-52207-060
- 梱包数量：1000個/リール  
NUMBER OF CONNECTORS：1000PCS/REEL
- リードテープ長さ(LEAD TAPE LENGTH)

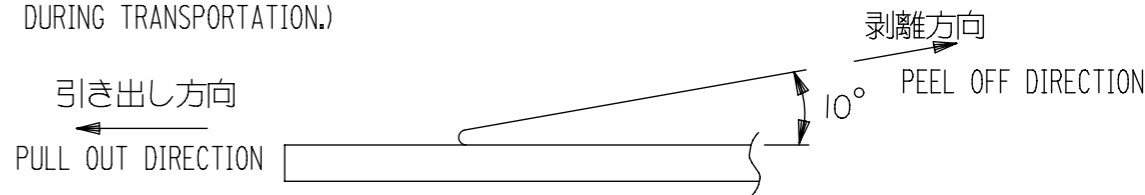
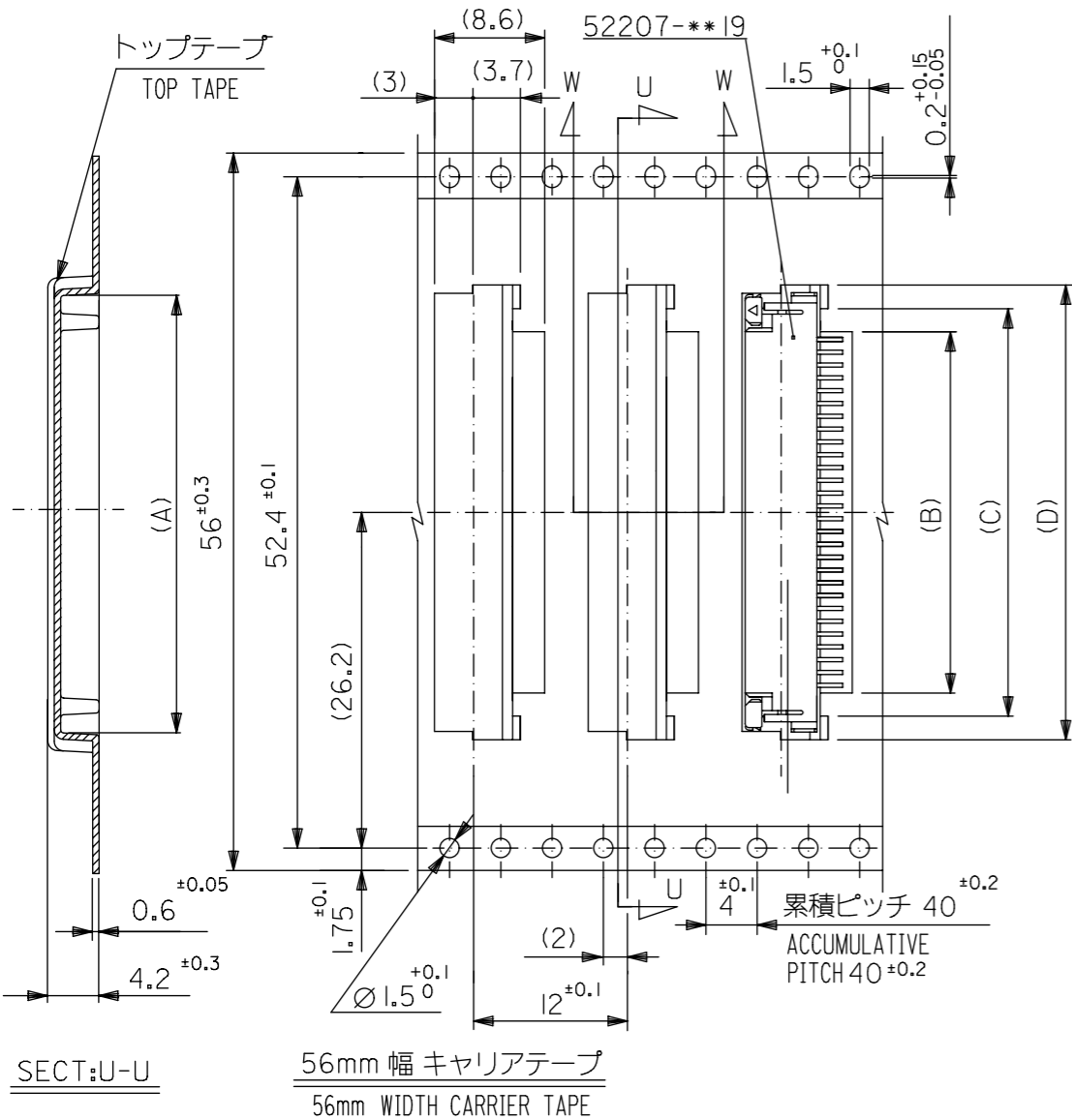


- 本製品は 52207-\*\*-90 の鉛フリー品である。  
THIS PRODUCT IS LEAD FREE OF 52207-\*\*-90.
- 本製品は乾燥剤入り、ハイバリア梱包仕様である。  
THIS PRODUCT IS HIGH BARRIER PACKAGE WITH DESICCANT.

- トップテープの剥離強度：(剥離方向は下図参照)  
0.1N ~ 1.3N(10gf ~ 130gf) MAX.尚、本規格値は、出荷時に適用。  
(但し、輸送時に剥離が発生しない事。)  
PEELING OFF FORCE OF TOP TAPE :0.1N ~ 1.3N(10gf ~ 130gf) MAX.  
(PEELING DIRECTION AS SHOWN IN FOLLOWING FIG.)  
THIS REQUIREMENT SHOULD BE APPLIED AT SHIPMENT. (PEEL OFF SHOULD NOT BE ALLOWED ,  
DURING TRANSPORTATION.)

**5. 材料 (MATERIAL)**

キャリアテープ (CARRIER TAPE) : ポリプロピレン (POLYPROPYLENE)  
トップテープ (TOPTAPE) : PET, PE, PEF  
リール (REEL) : ポリスチレン (PS) <リサイクル材を含む>  
POLYSTYRENE (PS) <RECYCLE MATERIAL CONTAINED>



|             |                                |      |      |      |     |      |       |              |            |
|-------------|--------------------------------|------|------|------|-----|------|-------|--------------|------------|
| 52207-**-85 | 56                             | 61.4 | 57.4 | 41.5 | 38  | 34.7 | 40.35 | 52207-3485   | 34         |
|             |                                |      |      | 37.5 | 34  | 30.7 | 36.35 | 52207-3085   | 30         |
|             |                                |      |      | 36.5 | 33  | 29.7 | 35.35 | 52207-2985   | 29         |
|             |                                |      |      | 35.5 | 32  | 28.7 | 34.35 | 52207-2885   | 28         |
| MODEL NO.   | キャリアテープ幅<br>CARRIER TAPE WIDTH | H    | E    | (D)  | (C) | (B)  | (A)   | MATERIAL NO. | 極数<br>CKT. |

THIS DRAWING CONTAINS INFORMATION THAT IS PROPRIETARY TO MOLEX ELECTRONIC TECHNOLOGIES, LLC AND SHOULD NOT BE USED WITHOUT WRITTEN PERMISSION

DIMENSION UNITS: mm SCALE: NTS

GENERAL TOLERANCES (UNLESS SPECIFIED)

ANGULAR TOL ± °

4 PLACES ±

3 PLACES ±

2 PLACES ±

1 PLACE ±

0 PLACES ±

DRAFT WHERE APPLICABLE MUST REMAIN WITHIN DIMENSIONS

THIRD ANGLE PROJECTION

DRAWING: A3-SIZE

SERIES: 52207

MATERIAL NUMBER: SEE TABLE

CUSTOMER: GENERAL MARKET

SHEET NUMBER: 3 OF 3

EC NO: 719890

DRWN: NARENC 2022/08/22

CHK'D: SMARUYAMA 2022/09/05

APPR: YNAITO 2022/09/05

INITIAL REVISION:

DRWN: MNINOMIYA 2004/02/18

APPR: MSASAO 2004/02/18

**molex**

EMBOSSSED TAPE PACKAGE FOR 52207-\*\*-19 -LEAD FREE-

PRODUCT CUSTOMER DRAWING

DOCUMENT NUMBER: SD-52207-061

DOC TYPE: PSD

DOC PART: 001

REVISION: D