

# Customer Information Sheet

DRAWING No.: M80-796XXXX

SHEET 2 OF 2

IF IN DOUBT - ASK

©

NOT TO SCALE

THIRD ANGLE PROJECTION

ALL DIMENSIONS IN mm

ORDER CODE:

**M80-796XXXX**

TOTAL No. OF WAYS  
02-07, 17, 22

FINISH:

- 22 - GOLD ON CONTACT AREA  
TIN/LEAD ON TAILS
- 42 - GOLD ON CONTACT AREA  
100% TIN ON TAILS
- 45 - ALL OVER GOLD

SPECIFICATIONS:

MATERIAL:  
MOULDING = GLASS-FILLED POLYAMIDE 46  
UL94V-0, BLACK

CONTACTS = PHOSPHOR BRONZE  
LATCHES = BERYLLIUM COPPER

FINISH:

- CONTACTS:
- 22 = 0.75µ GOLD ON CONTACT AREA.  
3.0µ TIN/LEAD ON TAILS
  - 42 = 0.75µ GOLD ON CONTACT AREA.  
3.0µ 100% TIN ON TAILS
  - 45 = 0.75µ ALL OVER GOLD
- LATCH = 1.25µ NICKEL

ELECTRICAL:

CURRENT RATING (25°C) = 3.0A MAX.  
CURRENT RATING (85°C) = 2.2A MAX.  
WORKING VOLTAGE = 120V AC/DC  
VOLTAGE PROOF = 360V AC/DC

CONTACT RESISTANCE:

INITIAL = 20 mΩ MAX.  
AFTER CONDITIONING = 25 mΩ MAX.  
INSULATION RESISTANCE:  
INITIAL = 1000 MΩ MIN.  
AFTER CONDITIONING = 100 MΩ MIN.

MECHANICAL:

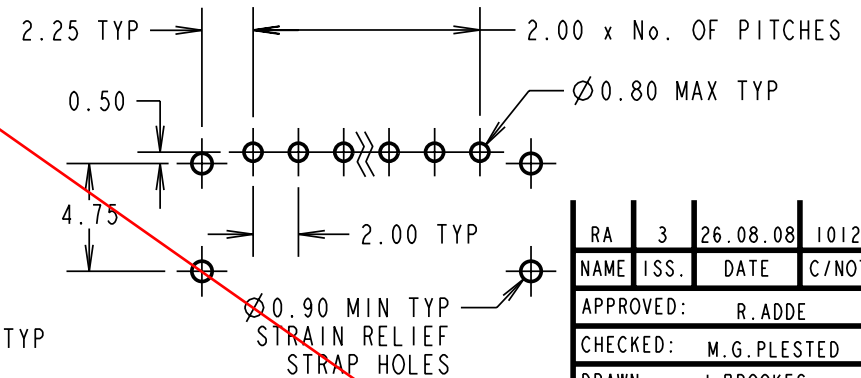
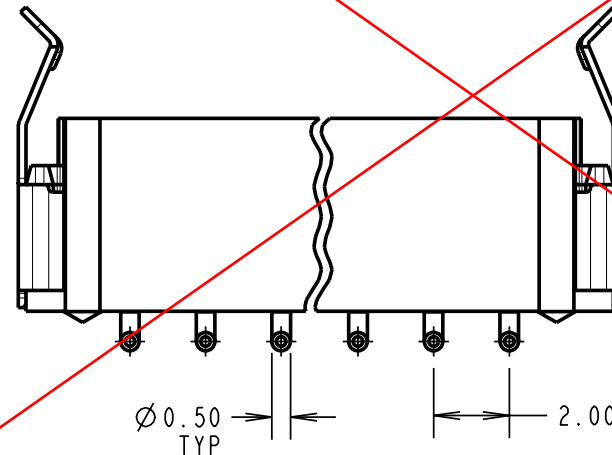
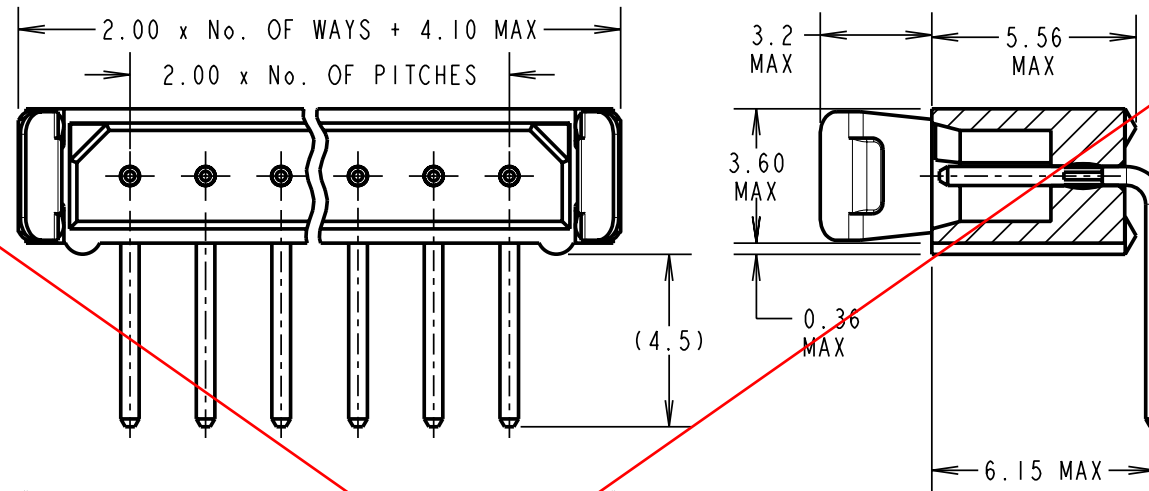
DURABILITY = 500 OPERATIONS

ENVIRONMENTAL:

TEMPERATURE RANGE = -55°C TO +125°C

PACKING: TUBE

FOR COMPLETE SPECIFICATION, SEE COMPONENT SPECIFICATION C005XX (LATEST ISSUE)



NOTES:

1. 2-OFF STRAIN RELIEF STRAPS M80-0030006 ARE INCLUDED WITH THIS CONNECTOR.

RECOMMENDED PCB LAYOUT

**OBSOLETE**

RA	3	26.08.08	10127
NAME	ISS.	DATE	C/NOTE
APPROVED:		R. ADDE	
CHECKED:		M.G. PLESTED	
DRAWN:		J BROOKES	
CUSTOMER REF.:			
ASSEMBLY DRG:			

**HARWIN**

HARWIN USA  
TEL: 603 893 5376  
FAX: 603 893 5396  
mis@harwin.com

HARWIN Europe (UK)  
TEL: 023 9231 4545  
FAX: 023 9231 4590  
mis@harwin.co.uk

HARWIN Asia  
TEL: +65 6 779 4909  
FAX: +65 6 779 3868  
mis@harwin.com.sg

THIS DRAWING AND ANY INFORMATION OR DESCRIPTIVE MATTER SET OUT HEREON ARE CONFIDENTIAL AND COPYRIGHT PROPERTY OF THE HARWIN GROUP AND MUST NOT BE DISCLOSED, LOANED, COPIED OR USED FOR MANUFACTURING, TENDERING OR FOR ANY OTHER PURPOSE WITHOUT THEIR WRITTEN PERMISSION.

TOLERANCES  
X. = ±1mm  
X.X = ±0.25mm  
X.XX = ±0.10mm  
X.XXX = ±0.01mm  
ANGLES = ±5°  
UNLESS STATED

MATERIAL:  
SEE ABOVE  
FINISH:  
SEE ABOVE  
S/AREA:  
mm<sup>2</sup>

TITLE: DATAMATE SIL  
HORIZONTAL MALE PC TAIL  
ASSEMBLY - FRICTION LATCH  
DRAWING NUMBER:  
**M80-796XXXX**  
SHT  
2 OF 2