

AN-1761 Evaluation Board for the LMH2100 Logarithmic Power Detector

1 General Description

This evaluation board, [Figure 1](#), is designed to aid in the characterization of the Texas Instruments LMH2100 Logarithmic Power Detector. This board simplifies the measurement of the DC output voltage that the LMH2100 produces in response to the power level of the RF signal applied to the RF input. Use the evaluation board as a guide for high frequency layout and as a tool to aid in device testing and characterization.

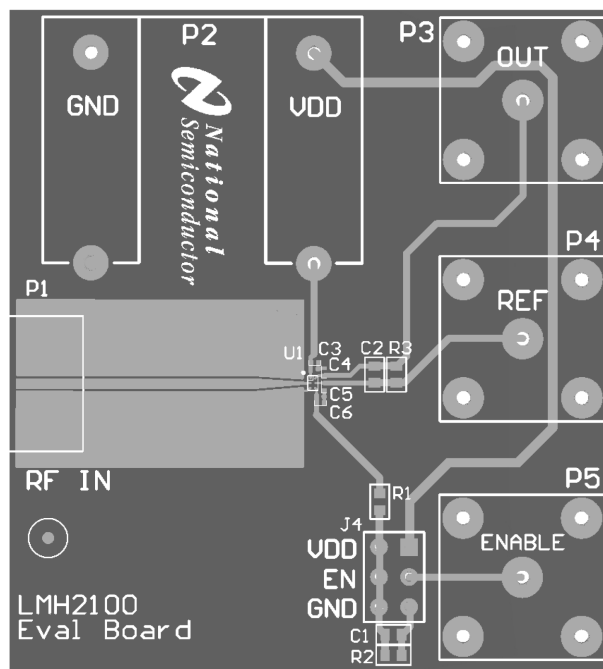


Figure 1. LMH2100 Evaluation Board

2 Basic Operation

The LMH2100 is a 40 dB RF Logarithmic power detector intended for use in CDMA and WCDMA applications. The device has an RF frequency range from 50 MHz to 4 GHz. It provides an accurate temperature and supply compensated output voltage that relates linearly to the RF input power in dBm. The circuit operates with a single supply from 2.7V to 3.3V and has an RF power detection range from -45 dBm to -5 dBm. The board consists of a single LMH2100 along with external components soldered on a printed circuit board. [Figure 2](#) shows the schematic of the LMH2100 evaluation board.

External supply voltages and input signals can be applied to the onboard connectors. The supply voltage is applied with connectors P2.2 (V_{DD}) and P2.1 (GND). The RF input signal is applied by SMA connector P1. This RF signal is applied through an RF generator and is connected with a 50 Ω coax cable. The detector output can be measured via BNC connector P3.

The device can be activated by forcing a “high” voltage to the enable input. This can be done by jumper J4, see [Table 1](#).

The REF input (P4) is directly connected to the inverting input of the transimpedance amplifier in the LMH2100 and can be used to compensate for the temperature drift of the internal reference voltage.

Capacitors C_3 , C_4 , C_5 , and C_6 are decoupling capacitors and will act as RF shorts to prevent RF interference.

Additional low-pass filtering of the output signal can be realized by means of an external resistor (R_3) and capacitor (C_2). For more details about filtering, check the application information in *LMH2100 50 MHz to 4 GHz 40 dB Logarithmic Power Detector for CDMA and WCDMA* ([SNWS020](#)).

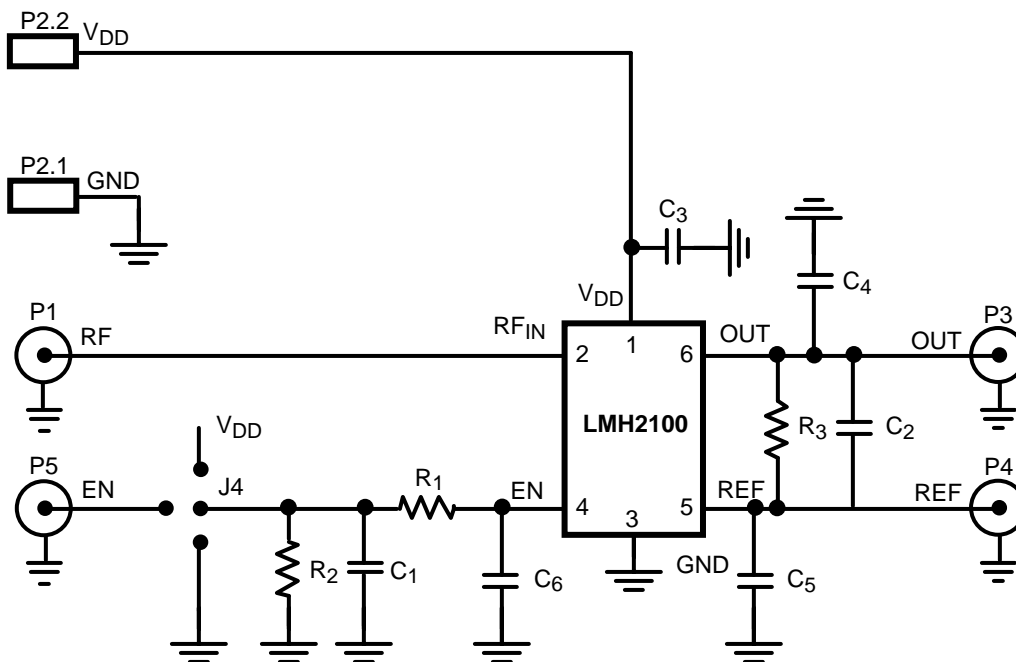


Figure 2. LMH2100 Evaluation Board Schematic

Table 1. Jumper J4 Connections

Jumper J4	Device	
V_{DD}		Active
EN	$V_{EN} = \text{high}$	Active
	$V_{EN} = \text{low}$	Shutdown
GND		Shutdown

3 Layout Considerations

As with any other RF device, careful attention must be paid to the board layout. If the board layout is not properly designed, unwanted signals will be detected or interference will be picked up. Electrical signals (voltage/currents) need a finite time to travel through a trace or transmission line. RF voltage levels at the generator side and at the detector side can therefore be different. This is not true for the RF strip line, but is true for all traces on the PCB. Signals at different locations or traces on the PCB will be in different phase of the RF frequency cycle. Phase differences in, for example the voltage across neighboring lines, may result in crosstalk between lines, due to parasitic capacitance or inductive coupling. The crosstalk is further enhanced by the fact that all traces on the PCB are susceptible to resonance. The resonance frequency depends on the trace geometry. Traces are particularly sensitive to interference when the length of the trace corresponds to a quarter of the wavelength of the interfering signal or a multiple.

3.1 Supply Lines

Since the PSRR of the LMH2100 is finite, variations of the supply can result in some variation at the output. This can be caused by RF injection from other parts of the circuitry or on/off switching of the PA or other various issues.

3.2 Positive Supply (V_{DD})

In order to minimize injection of the RF interference into the LMH2100 through the supply lines, the PCB traces connecting to V_{DD} and GND should be shorted for RF. This can be done by placing a small decoupling capacitor between the V_{DD} and GND. It should be placed as close as possible to the V_{DD} and GND pins of the LMH2100 as indicated in Figure 3. The resonance frequency of the capacitor itself should be above the highest RF frequency used in the application, since the capacitance acts as an inductor used above its resonance frequency.

Low frequency supply voltage variations due to PA switching might result in a ripple at the output voltage. The LMH2100 has a Power Supply Rejection Ratio of 60 dB for low frequencies.

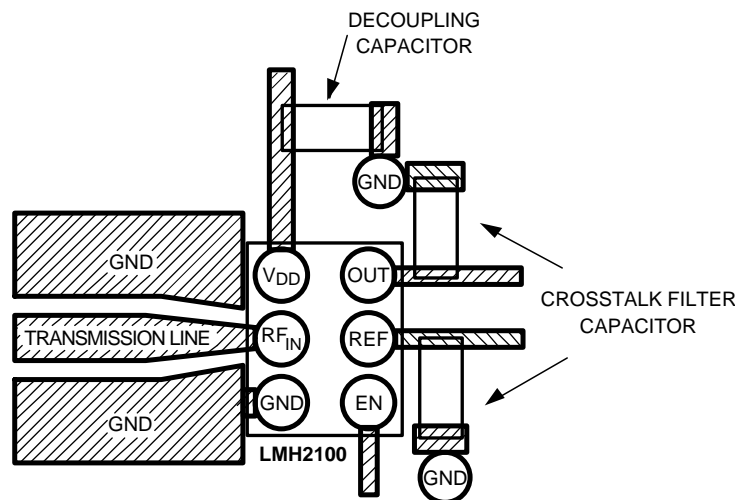


Figure 3. Recommended Board Layout

3.3 Ground (GND)

The LMH2100 needs a ground plane free of noise and other disturbing signals. It is important to separate the RF ground return path from the other grounds. This is due to the fact that the RF input handles large voltage swings. A power level of 0 dBm will cause a voltage swing larger than $0.6 V_{PP}$, over the internal 50Ω input resistor. This will result in a significant RF return current towards the source. It is therefore recommended that the RF ground return path is not used for other circuits in the design. The RF path should be routed directly back to the source without loops.

3.4 RF Input Interface (RF_{IN})

The LMH2100 is designed to be used in RF applications that have a characteristic impedance of 50Ω . To achieve this impedance, the input of the LMH2100 needs to be connected via a 50Ω transmission line. Transmission lines can be easily created on PCBs using microstrip or (grounded) coplanar waveguide configurations. Both configurations are discussed in more detail in the application information of the LMH2100 datasheet or in microwave designer handbooks.

3.5 Reference (REF)

The reference pin can be used to compensate for temperature drift of the internal reference voltage of the LMH2100. The REF pin is directly connected to the inverting input of the transimpedance amplifier. Thus, RF signals and other spurious signals couple directly through to the output. Introduction of RF signals into the REF pin can be prevented by connecting a small capacitor (C_5) between the REF pin and ground. The capacitor should be placed as close to the REF pin as possible.

3.6 Output (OUT)

The OUT pin is sensitive to crosstalk from the RF input, especially at high power levels. The ESD diode between the output and V_{DD} may rectify the RF signal, but may not add an unwanted inaccurate DC component to the output voltage. The board layout should minimize crosstalk between the detector's input RF_{IN} and the detector's output. Using an additional capacitor (C_4) connected between the output and the positive supply voltage V_{DD} pin or GND can prevent this. For optimal performance this capacitor should be placed as close as possible to the OUT pin of the LMH2100.

3.7 Board Layout

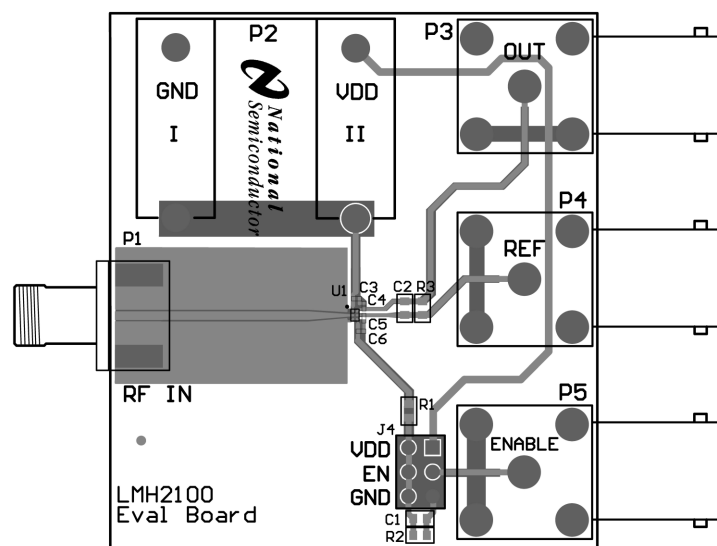


Figure 4. LMH2100 Evaluation Board Layout

3.8 Bill of Materials

The Bill of Material (BOM) of the evaluation board is listed in [Table 2](#).

Table 2. LMH2100 Evaluation Board Bill of Materials

Designator	Description	Comment
R1	0603 Resistor	100 k Ω
R2	0603 Resistor	100 k Ω
R3	0603 Resistor	NU
C1	0603 Capacitor	10n
C2	0603 Capacitor	NU
C3	0201 Capacitor	10p
C4	0201 Capacitor	10p
C5	0201 Capacitor	1p
C6	0603 Capacitor	10p
J4	Jumper	Header 2 x 3
P1	Connector	SMA
P2.1	Connector	banana socket
P2.2	Connector	banana socket
P3	Connector	BNC-RA
P4	Connector	BNC-RA
P5	Connector	BNC-RA
U1	6-Bump DSBGA	LMH2100

4 Measurement Procedure

The performance of the LMH2100 can be measured with the setup given in [Figure 5](#).

An external power supply provides a voltage of 2.7V to 3.3V to the evaluation board. An accurate and stable RF Signal Generator is used to produce a test signal. Be sure to use low loss coax cables to ensure reliable measurement data. The detected output voltage can be measured with a Digital Voltage Meter (DVM). To make continuous measurements, place a jumper from V_{DD} to enable (EN).

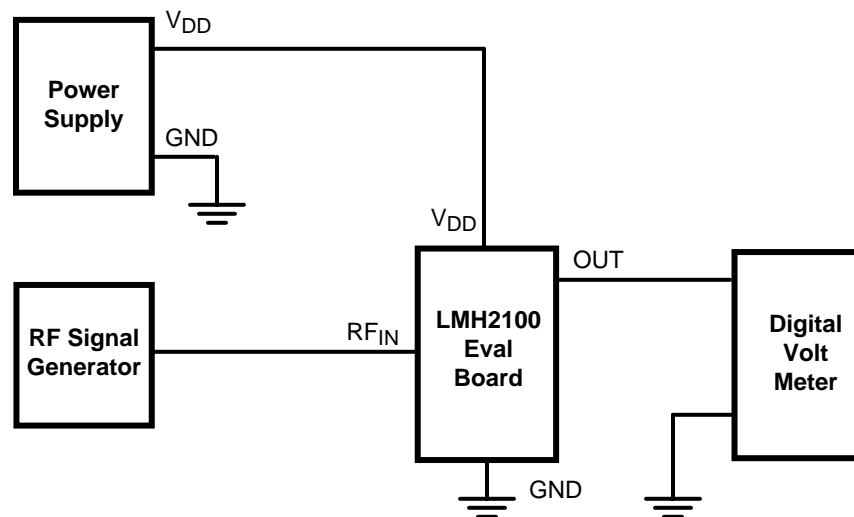


Figure 5. Measurement Setup

5 Measurement Results

Figure 6 shows the frequency response of the LMH2100 at various RF input power levels.

Figure 7 shows the detector response for an RF input power sweep at various frequencies.

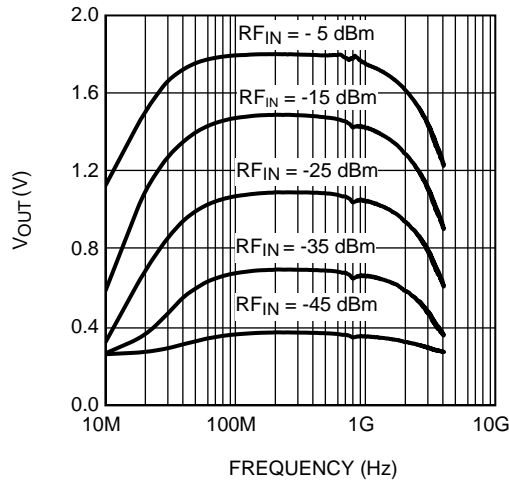


Figure 6. V_{OUT} vs. RF Input Frequency

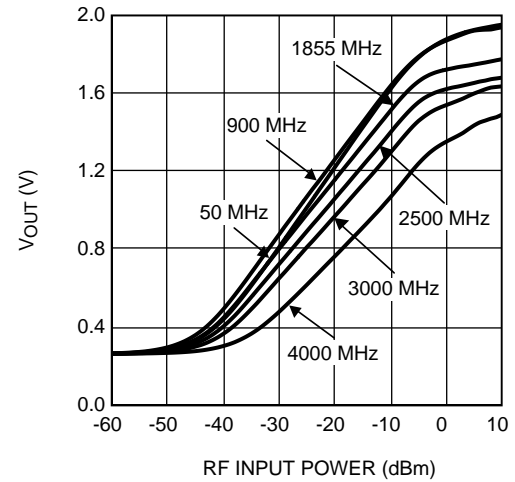


Figure 7. V_{OUT} vs. RF Input Power Level

IMPORTANT NOTICE

Texas Instruments Incorporated and its subsidiaries (TI) reserve the right to make corrections, enhancements, improvements and other changes to its semiconductor products and services per JESD46, latest issue, and to discontinue any product or service per JESD48, latest issue. Buyers should obtain the latest relevant information before placing orders and should verify that such information is current and complete. All semiconductor products (also referred to herein as "components") are sold subject to TI's terms and conditions of sale supplied at the time of order acknowledgment.

TI warrants performance of its components to the specifications applicable at the time of sale, in accordance with the warranty in TI's terms and conditions of sale of semiconductor products. Testing and other quality control techniques are used to the extent TI deems necessary to support this warranty. Except where mandated by applicable law, testing of all parameters of each component is not necessarily performed.

TI assumes no liability for applications assistance or the design of Buyers' products. Buyers are responsible for their products and applications using TI components. To minimize the risks associated with Buyers' products and applications, Buyers should provide adequate design and operating safeguards.

TI does not warrant or represent that any license, either express or implied, is granted under any patent right, copyright, mask work right, or other intellectual property right relating to any combination, machine, or process in which TI components or services are used. Information published by TI regarding third-party products or services does not constitute a license to use such products or services or a warranty or endorsement thereof. Use of such information may require a license from a third party under the patents or other intellectual property of the third party, or a license from TI under the patents or other intellectual property of TI.

Reproduction of significant portions of TI information in TI data books or data sheets is permissible only if reproduction is without alteration and is accompanied by all associated warranties, conditions, limitations, and notices. TI is not responsible or liable for such altered documentation. Information of third parties may be subject to additional restrictions.

Resale of TI components or services with statements different from or beyond the parameters stated by TI for that component or service voids all express and any implied warranties for the associated TI component or service and is an unfair and deceptive business practice. TI is not responsible or liable for any such statements.

Buyer acknowledges and agrees that it is solely responsible for compliance with all legal, regulatory and safety-related requirements concerning its products, and any use of TI components in its applications, notwithstanding any applications-related information or support that may be provided by TI. Buyer represents and agrees that it has all the necessary expertise to create and implement safeguards which anticipate dangerous consequences of failures, monitor failures and their consequences, lessen the likelihood of failures that might cause harm and take appropriate remedial actions. Buyer will fully indemnify TI and its representatives against any damages arising out of the use of any TI components in safety-critical applications.

In some cases, TI components may be promoted specifically to facilitate safety-related applications. With such components, TI's goal is to help enable customers to design and create their own end-product solutions that meet applicable functional safety standards and requirements. Nonetheless, such components are subject to these terms.

No TI components are authorized for use in FDA Class III (or similar life-critical medical equipment) unless authorized officers of the parties have executed a special agreement specifically governing such use.

Only those TI components which TI has specifically designated as military grade or "enhanced plastic" are designed and intended for use in military/aerospace applications or environments. Buyer acknowledges and agrees that any military or aerospace use of TI components which have **not** been so designated is solely at the Buyer's risk, and that Buyer is solely responsible for compliance with all legal and regulatory requirements in connection with such use.

TI has specifically designated certain components as meeting ISO/TS16949 requirements, mainly for automotive use. In any case of use of non-designated products, TI will not be responsible for any failure to meet ISO/TS16949.

Products

Audio	www.ti.com/audio
Amplifiers	amplifier.ti.com
Data Converters	dataconverter.ti.com
DLP® Products	www.dlp.com
DSP	dsp.ti.com
Clocks and Timers	www.ti.com/clocks
Interface	interface.ti.com
Logic	logic.ti.com
Power Mgmt	power.ti.com
Microcontrollers	microcontroller.ti.com
RFID	www.ti-rfid.com
OMAP Applications Processors	www.ti.com/omap
Wireless Connectivity	www.ti.com/wirelessconnectivity

Applications

Automotive and Transportation	www.ti.com/automotive
Communications and Telecom	www.ti.com/communications
Computers and Peripherals	www.ti.com/computers
Consumer Electronics	www.ti.com/consumer-apps
Energy and Lighting	www.ti.com/energy
Industrial	www.ti.com/industrial
Medical	www.ti.com/medical
Security	www.ti.com/security
Space, Avionics and Defense	www.ti.com/space-avionics-defense
Video and Imaging	www.ti.com/video

TI E2E Community

e2e.ti.com